



Chipsmall Limited consists of a professional team with an average of over 10 year of expertise in the distribution of electronic components. Based in Hongkong, we have already established firm and mutual-benefit business relationships with customers from,Europe,America and south Asia,supplying obsolete and hard-to-find components to meet their specific needs.

With the principle of “Quality Parts,Customers Priority,Honest Operation,and Considerate Service”,our business mainly focus on the distribution of electronic components. Line cards we deal with include Microchip,ALPS,ROHM,Xilinx,Pulse,ON,Everlight and Freescale. Main products comprise IC,Modules,Potentiometer,IC Socket,Relay,Connector.Our parts cover such applications as commercial,industrial, and automotives areas.

We are looking forward to setting up business relationship with you and hope to provide you with the best service and solution. Let us make a better world for our industry!



Contact us

Tel: +86-755-8981 8866 Fax: +86-755-8427 6832

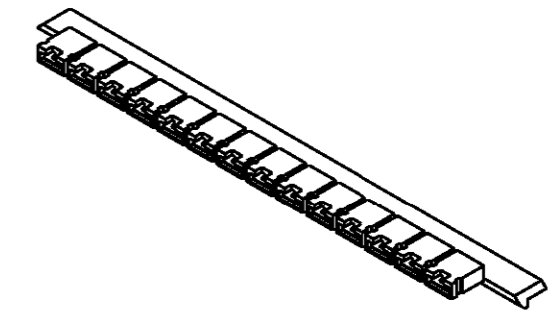
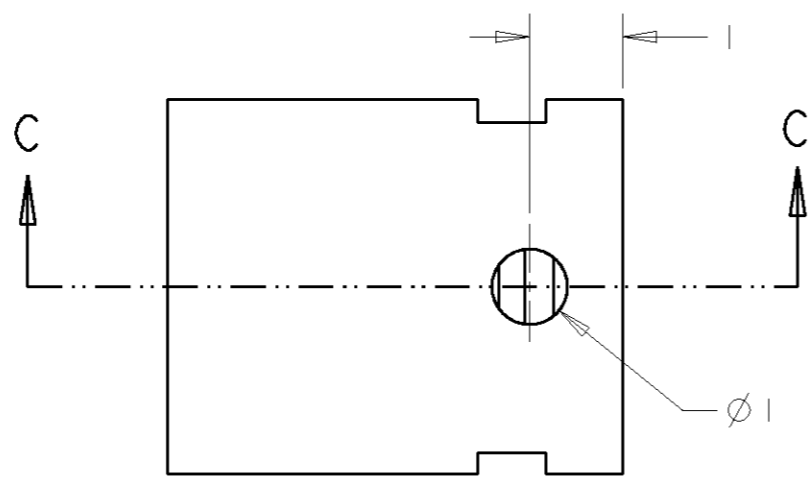
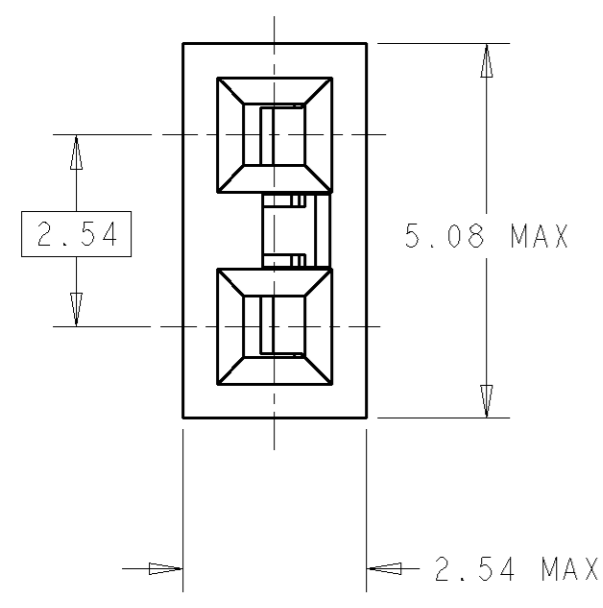
Email & Skype: info@chipsmall.com Web: www.chipsmall.com

Address: A1208, Overseas Decoration Building, #122 Zhenhua RD., Futian, Shenzhen, China

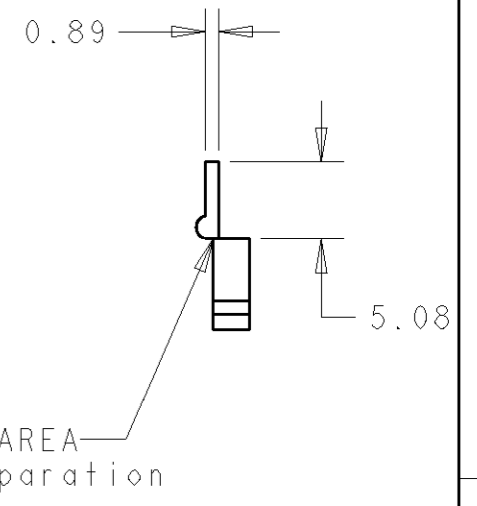
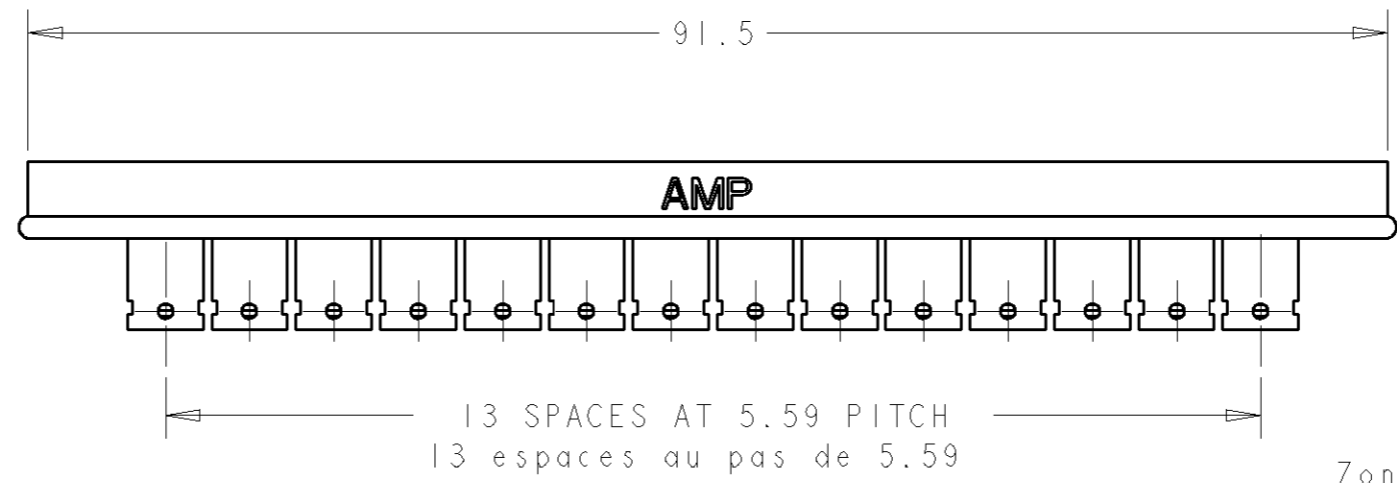
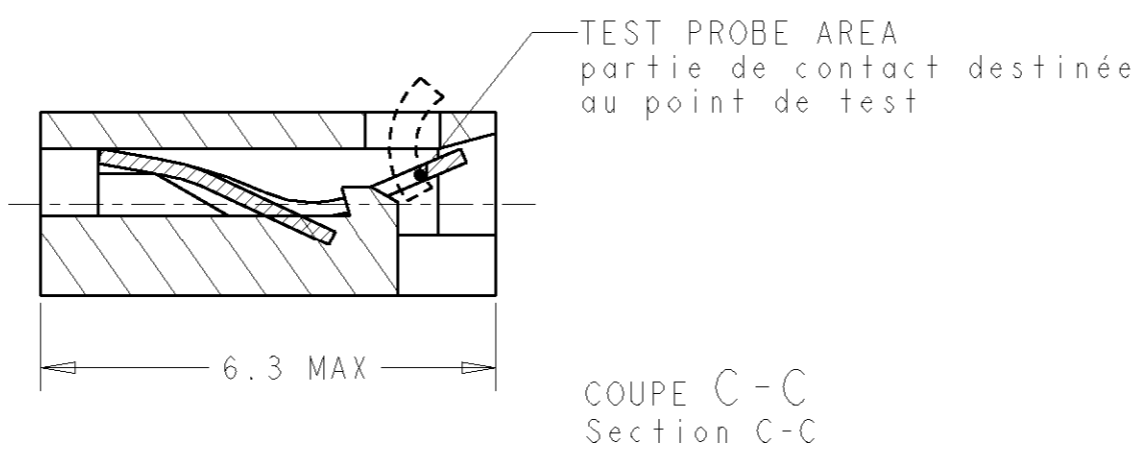


THIS DRAWING IS UNPUBLISHED.
 DIFFUSION RESTREINTE
 © COPYRIGHT - BY - ALL RIGHTS RESERVED.
 TOUS DROITS RESERVES

| LOC | DIST | REVISIONS | | | |
|-----|---------|---------------------------|---------------------------|-----------|-----------|
| P | LTR REV | DESCRIPTION MODIFICATIONS | DATE | DWN DESS. | APVD APP. |
| F | 00 | C1 | REVISED PER ECO-11-005150 | 03MAY11 | RK HMR |



SCALE 1:1




NOTES :

1- MATES WITH 0.62X0.62 PINS
 à utiliser avec bornes de 0.62X0.62mm

2- MATERIAL:
 HOUSING : GLASS-FILLED PBT,
 PBT chargé verre UL 94V0
 CONTACT : BERYLLIUM COPPER -CuBe
 FINISH : SEE TABLE - voir table

| CONTACT FINITION | HOUSING COLOR CODE | PART NUMBER SHUNT ASS'Y |
|--|--------------------|-------------------------|
| GOLD PLATED doré, 1 micron | GREY gris | 142270-7 |
| GOLD PLATED, CONTACT AREA doré zone de contact, 1 micron | GREEN vert | 142270-5 |
| TIN PLATED, LEAD FREE étamé à 3 microns | BLACK noir | 142270-3 |
| GOLD PLATED, CONTACT AREA doré zone de contact 0.4 microns | GREEN vert | 142270-1 |

| | | | | | | | |
|-------------------------------|--|--|--|---------------------------------------|--|---|--|
| DIMENSIONS: mm | | TOLERANCES UNLESS OTHERWISE SPECIFIED: TOLERANCES NON SPECIFIEES: (SUIV NB DE DECIMALES): 0 PLC/DEC: ±0.3 1 PLC/DEC: ±0.3 2 PLC/DEC: ± 3 PLC/DEC: ± 4 PLC/DEC: ± ANGLES ±3 | | DWN/DESSINE 02DEC2003 JJ. DESPRETZ | |  TE Connectivity | |
| MATERIAL/MATIERE SEE NOTE | | FINISH/FINITION CONTACT SEE TABLE | | CHK/VERIFIE Y-PETRONIN | | | |
| APVD/APPROUVE Y-PETRONIN | | PRODUCT SPEC SPEC. PRODUIT | | APPLICATION SPEC SPEC. APPLICATION | | SIZE FORMAT A3 | |
| WEIGHT/MASSE APPROX. - | | CAGE CODE 00779 | | DRAWING NO No PLAN C-142270 | | RESTRICTED TO RESERVE A | |
| CUSTOMER DRAWING /PLAN CLIENT | | UNIQUEMENT POUR REFERENCE | | SCALE/ECHELLE 0:1 | | SHEET FEUILLE OF DE REV C1 | |