



Chipsmall Limited consists of a professional team with an average of over 10 year of expertise in the distribution of electronic components. Based in Hongkong, we have already established firm and mutual-benefit business relationships with customers from,Europe,America and south Asia,supplying obsolete and hard-to-find components to meet their specific needs.

With the principle of “Quality Parts,Customers Priority,Honest Operation,and Considerate Service”,our business mainly focus on the distribution of electronic components. Line cards we deal with include Microchip,ALPS,ROHM,Xilinx,Pulse,ON,Everlight and Freescale. Main products comprise IC,Modules,Potentiometer,IC Socket,Relay,Connector.Our parts cover such applications as commercial,industrial, and automotives areas.

We are looking forward to setting up business relationship with you and hope to provide you with the best service and solution. Let us make a better world for our industry!



## Contact us

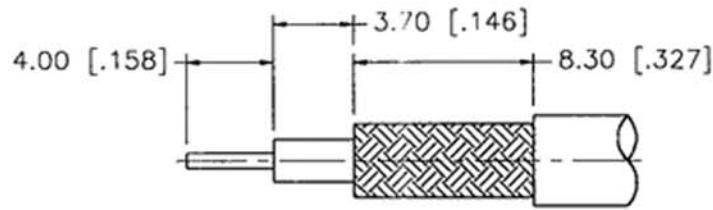
Tel: +86-755-8981 8866 Fax: +86-755-8427 6832

Email & Skype: info@chipsmall.com Web: www.chipsmall.com

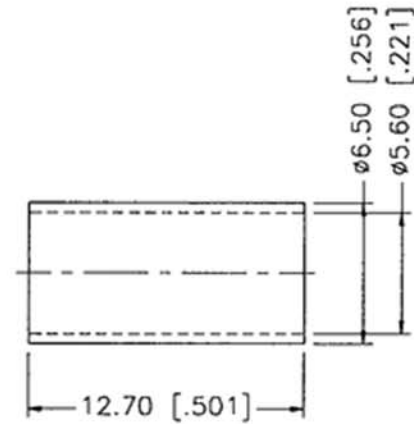
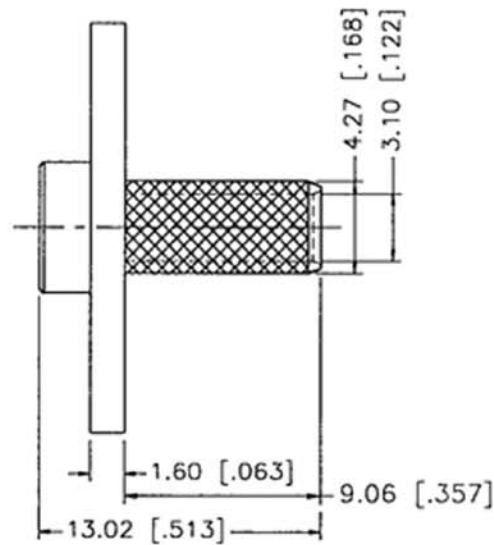
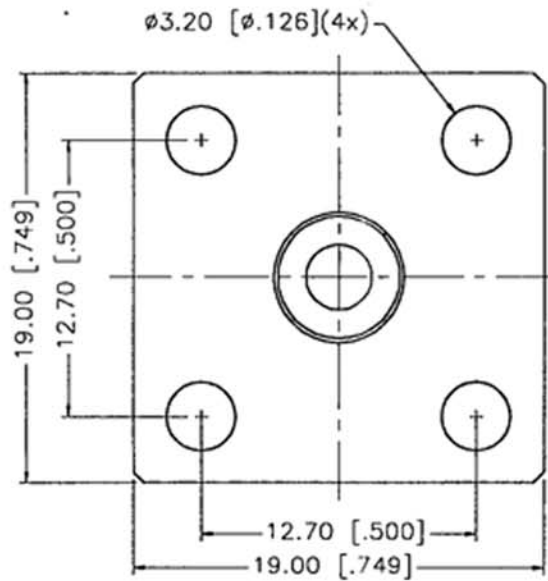
Address: A1208, Overseas Decoration Building, #122 Zhenhua RD., Futian, Shenzhen, China




REV.	DATE	DESCRIPTION
NC	12/19/99	INITIAL RELEASE



RECOMMENDED  
CABLE STRIPPING DIMS.



8				UNLESS OTHERWISE SPECIFIED DIMENSIONS ARE IN MILLIMETERS	APPROVALS	DATE	 <b>Connex</b> Connector Corporation				
7			DIMENSIONS IN [ ] ARE IN INCHES FOR CUSTOMER REFERENCE ONLY	DRAWN	G.R.S.	12/19/99					
6				CHECKED							
5				ISSUED							
4				UNLESS OTHERWISE SPECIFIED TOLERANCES FOR MILLIMETERS ARE: 0.5-6 = ± 0.2 6-30 = ± 0.4 30-120 = ± 0.6 120-315 = ± 1 315-1000 = ± 1.6 1000-2000 = ± 2.4	TITLE			4 HOLE FLANGE MOUNT TERMINATION (FOR RG-223/142/400 CABLE)			
3	FERRULE	BRASS	NICKEL		SIZE	FSCM NO.	DWG. NO.	REV.			
2	FLANGE	BRASS	NICKEL		A	99001	142278.DWG	NC			
1	BODY	BRASS	NICKEL		SCALE	PART NO.	SHEET				
	DESCRIPTION	MATERIAL	FINISH	DO NOT SCALE DRAWING	NA	142278	1 OF 1				