



Chipsmall Limited consists of a professional team with an average of over 10 year of expertise in the distribution of electronic components. Based in Hongkong, we have already established firm and mutual-benefit business relationships with customers from,Europe,America and south Asia,supplying obsolete and hard-to-find components to meet their specific needs.

With the principle of “Quality Parts,Customers Priority,Honest Operation,and Considerate Service”,our business mainly focus on the distribution of electronic components. Line cards we deal with include Microchip,ALPS,ROHM,Xilinx,Pulse,ON,Everlight and Freescale. Main products comprise IC,Modules,Potentiometer,IC Socket,Relay,Connector.Our parts cover such applications as commercial,industrial, and automotives areas.

We are looking forward to setting up business relationship with you and hope to provide you with the best service and solution. Let us make a better world for our industry!



Contact us

Tel: +86-755-8981 8866 Fax: +86-755-8427 6832

Email & Skype: info@chipsmall.com Web: www.chipsmall.com

Address: A1208, Overseas Decoration Building, #122 Zhenhua RD., Futian, Shenzhen, China



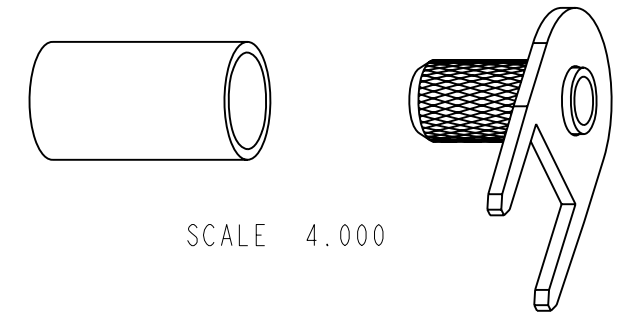
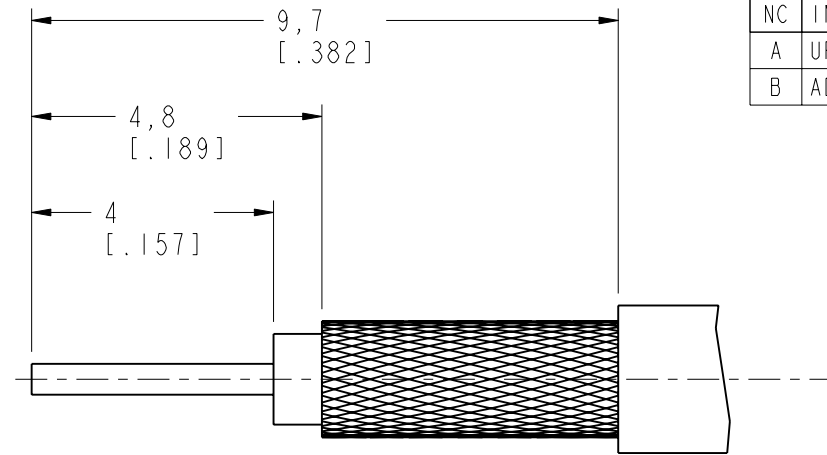
NOTES:

1. MATERIALS AND FINISHES:
 BARREL - BRASS, BRIGHT TIN
 FERRULE - BRASS, NICKEL PLATING
 PANEL - BRASS, BRIGHT TIN
2. CRIMPED FERRULE
 HEX CRIMP SIZE .128"

THIRD ANGLE PROJ.

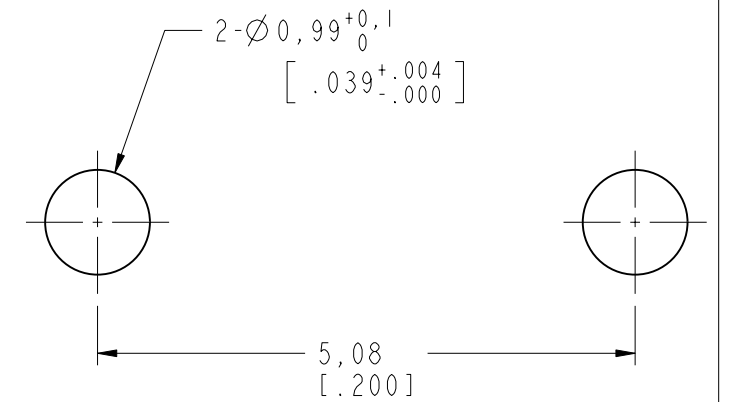
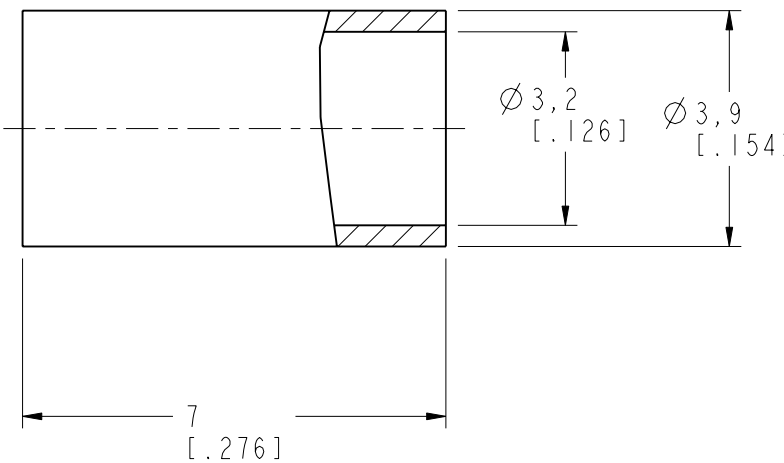
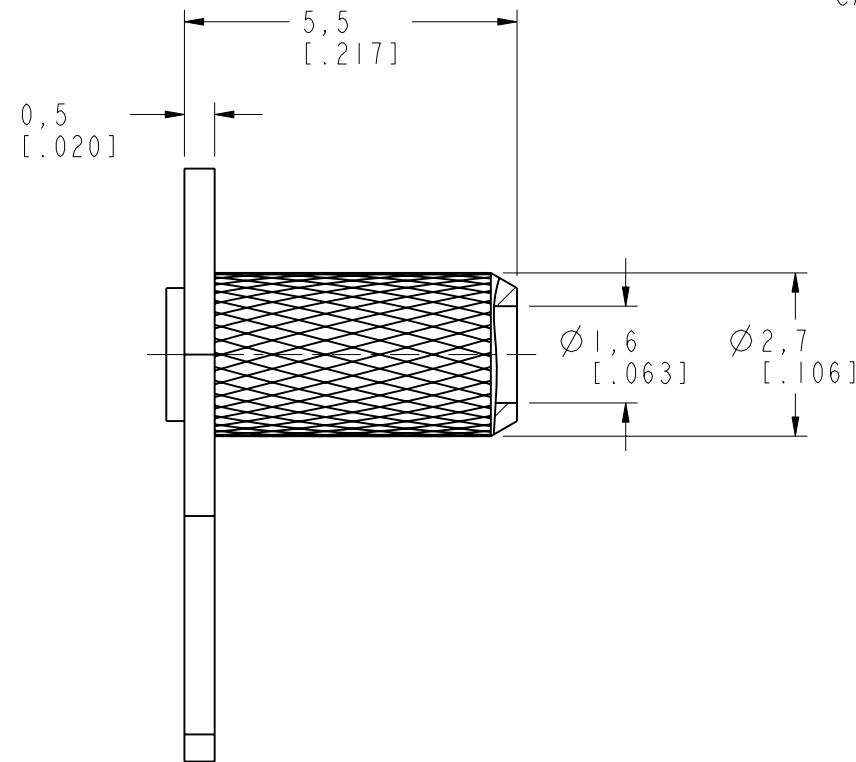
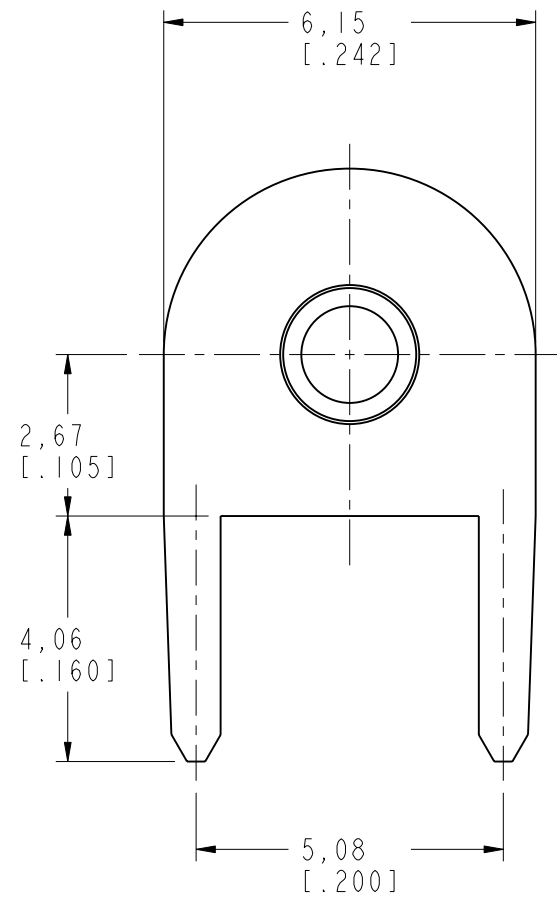
REVISIONS

REV	DESCRIPTION	DATE	ECO	APPR
NC	INITIAL RELEASE	02-May-00	-----	GRS
A	UPDATE DRAWING FORMAT	30-Apr-08	100014	GRS
B	ADD RECOMMENDED STRIPPING DIM'S	13-Jun-14	-----	MZ



SCALE 4.000

RECOMMENDED
CABLE STRIPPING DIM'S



PCB MOUNTING HOLE

CUSTOMER OUTLINE DRAWING

ALL OTHER SHEETS ARE FOR INTERNAL USE ONLY

UNLESS OTHERWISE SPECIFIED, DIMENSIONS ARE IN METRIC AND TOLERANCES ARE:
 <0.5mm ±0.05mm 0.5 - 6mm ±0.1mm 6 - 30mm ±0.2mm 30 - 120mm ±0.3mm ANGLES ±1°

NOTICE - These drawings, specifications, or other data (1) are, and remain the property of Amphenol corp. (2) must be returned upon request; and (3) are confidential and not to be disclosed to any person other than those to whom they are given by Amphenol Corp. the furnishing of these drawings, specifications, or other data by Amphenol Corp., or to any other person to anyone for any purpose is not to be regarded by implication or otherwise in any manner licensing, granting rights to permitting such holder or any other person to manufacture, use or sell any product, process or design, patented or otherwise, that may in any way be related to or disclosed by said drawings, specifications, or other data.

MATERIAL	DRAWN M. ZHANG	DATE 13-Jun-14	TITLE PCB COAXIAL TERMINATION (FOR RG-174, 188, 316/U CABLE)	Amphenol Connex
REFERENCE ARFA P/N: SK0644-NBT	ENGINEER S. DUAN	DATE 13-Jun-14		
CONFIGURATION LEVEL:	APPROVED S. HSIEH	DATE 13-Jun-14	SCALE: 8.0:1.0	DRAWING NO.
FINISH	CAD FILE		SHEET 1 OF 1	ITEM NO.
			DWG SIZE B	PART NO. 142293
			REV B	