



Chipsmall Limited consists of a professional team with an average of over 10 year of expertise in the distribution of electronic components. Based in Hongkong, we have already established firm and mutual-benefit business relationships with customers from,Europe,America and south Asia,supplying obsolete and hard-to-find components to meet their specific needs.

With the principle of “Quality Parts,Customers Priority,Honest Operation,and Considerate Service”,our business mainly focus on the distribution of electronic components. Line cards we deal with include Microchip,ALPS,ROHM,Xilinx,Pulse,ON,Everlight and Freescale. Main products comprise IC,Modules,Potentiometer,IC Socket,Relay,Connector.Our parts cover such applications as commercial,industrial, and automotives areas.

We are looking forward to setting up business relationship with you and hope to provide you with the best service and solution. Let us make a better world for our industry!



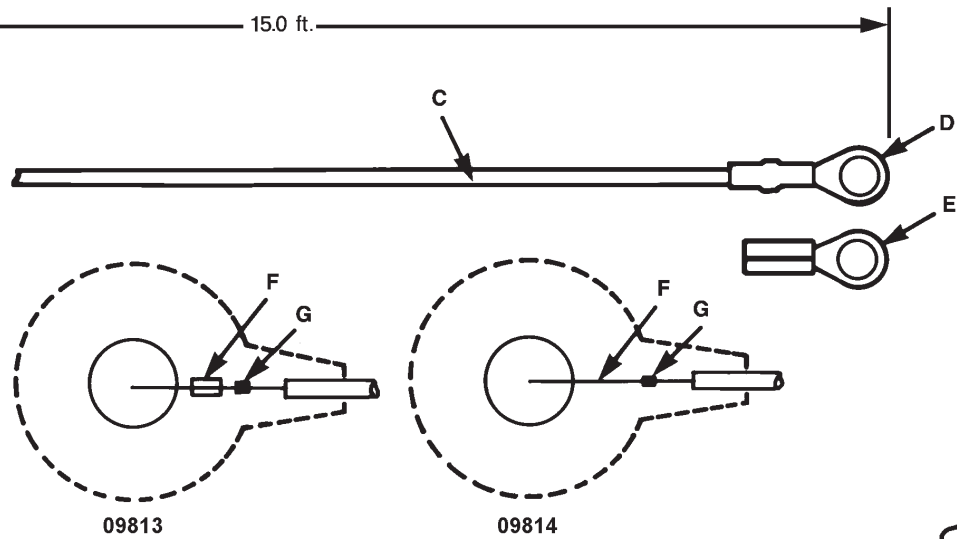
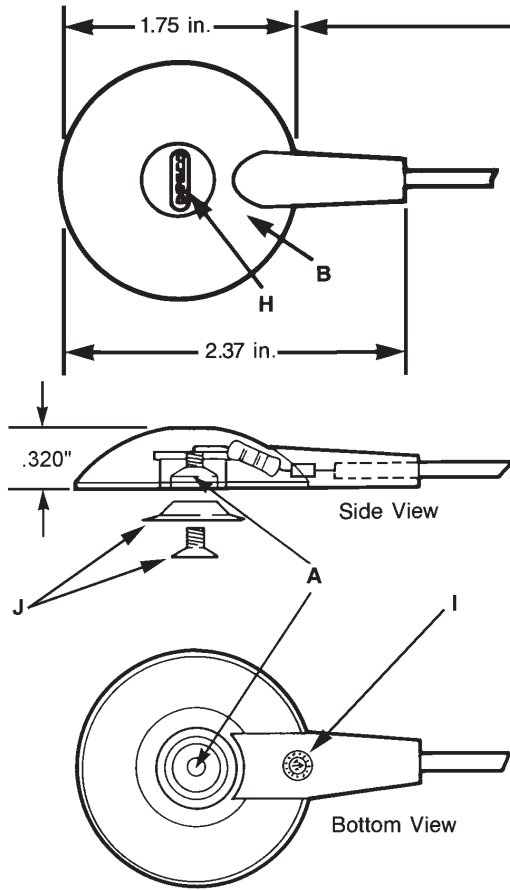
Contact us

Tel: +86-755-8981 8866 Fax: +86-755-8427 6832

Email & Skype: info@chipsmall.com Web: www.chipsmall.com

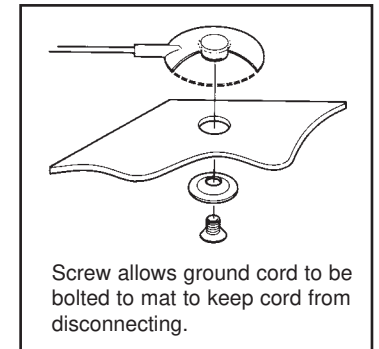
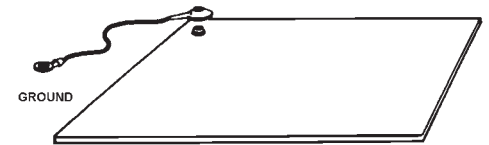
Address: A1208, Overseas Decoration Building, #122 Zhenhua RD., Futian, Shenzhen, China





14234 Kit
Includes items:
[09813](#) and [09864](#)

For Grounding ESD Mats



Key:

- A. 10mm (.395 in.) male snap to attach to mat.
- B. Molded in black thermoplastic elastomer.
- C. Wire High flex strand copper, 20 gauge, with PVC insulation.
[09813](#) - Wire insulation Color: Black
[09814](#) - Wire insulation Color: Green with yellow stripe
OD = .107"
- D. Ring terminal, .200" ID, (#10).
- E. Extra ring terminal provided for customizing length.
- F. Item [09813](#) has a one megohm resistor between the snap and wire. Item [09814](#) has no resistor between the snap and wire.
- G. Brass crimp secures conductors and provides strain relief.
- H. Desco logo molded onto cap on top of shroud. (10=2010).
- I. Date coded to show month and year of manufacture. Arrow points to month of manufacture (12:00 = December), numerals indicate the year (10=2010).
- J. 6-32 x 1/4" flat head screw and washer allow mat ground cord to be bolted to most mats by shorter or longer screw that depends on mat thickness.

Item	Description	Resistance (Ohms)	Test Method
09813	One Megohm Resistor to Mat - Black Wire	0.8 x 1.2 x 10E6	ANSI/ESD S6.1
09814	No Resistor - Green Wire with Yellow Stripe	< 1.0	ANSI/ESD S6.1

Unless otherwise specified Tolerance +/- 10%

Specifications and procedures subject to change without notice.

GROUND CORD, MAT, THREADED 10MM SNAP STUD



DESCO WEST: 3651 WALNUT AVE., CHINO, CA 91710 WEB SITE: Desco.com
PHONE (909) 627-8178 FAX (909) 627-7449 FAX REQUEST (909) 627-7126
DESCO EAST: ONE COLGATE WAY, CANTON, MA 02021-1407
PHONE (781) 821-8370 FAX (781) 575-0172

DRAWING NUMBER
09814

DATE:
December 2010



Made in America

