



Chipsmall Limited consists of a professional team with an average of over 10 year of expertise in the distribution of electronic components. Based in Hongkong, we have already established firm and mutual-benefit business relationships with customers from,Europe,America and south Asia,supplying obsolete and hard-to-find components to meet their specific needs.

With the principle of “Quality Parts,Customers Priority,Honest Operation,and Considerate Service”,our business mainly focus on the distribution of electronic components. Line cards we deal with include Microchip,ALPS,ROHM,Xilinx,Pulse,ON,Everlight and Freescale. Main products comprise IC,Modules,Potentiometer,IC Socket,Relay,Connector.Our parts cover such applications as commercial,industrial, and automotives areas.

We are looking forward to setting up business relationship with you and hope to provide you with the best service and solution. Let us make a better world for our industry!



Contact us

Tel: +86-755-8981 8866 Fax: +86-755-8427 6832

Email & Skype: info@chipsmall.com Web: www.chipsmall.com

Address: A1208, Overseas Decoration Building, #122 Zhenhua RD., Futian, Shenzhen, China



Flush-type connector - SACC-DSI-M8MS-5CON-M8-L180 DN - 1424242

Please be informed that the data shown in this PDF Document is generated from our Online Catalog. Please find the complete data in the user's documentation. Our General Terms of Use for Downloads are valid (<http://download.phoenixcontact.com>)



Sensor/actuator flush-type plug-in connector, plug, 5-pos., DeviceNet, M8, rear/screw mounting with M10 fastening thread, with straight solder connection



Key commercial data

Packing unit	0
Minimum order quantity	1
GTIN	 4 046356 712545
Custom tariff number	85366990
Country of origin	GERMANY

Technical data

General data

Rated current at 40°C	3 A
Rated voltage	30 V
Number of positions	5
Volume resistance	≤ 3 mΩ
Insulation resistance	≥ 100 MΩ

General characteristics

Standards/regulations	M8 plug-in connector IEC 61076-2-104
Coding	B - inverse
Surge voltage category	II
Pollution degree	3
Degree of protection	IP67
Contact material	Cu alloy
Contact surface material	Au
Contact carrier material	PA 66
Material, knurls	Zinc die-cast, nickel-plated
Mounting type	Rear mounting M8 x 1 With flat nut

Flush-type connector - SACC-DSI-M8MS-5CON-M8-L180 DN - 1424242

Technical data

General characteristics

Connection method	Solder pins
Status display	No

Classifications

ETIM

ETIM 3.0	EC002061
ETIM 4.0	EC002635
ETIM 5.0	EC002635

UNSPSC

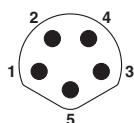
UNSPSC 11	31251501
UNSPSC 12.01	31251501
UNSPSC 13.2	31251501
UNSPSC 6.01	31251501
UNSPSC 7.0901	31251501

eCl@ss

eCl@ss 4.0	27250313
eCl@ss 4.1	27250313
eCl@ss 5.0	27260701
eCl@ss 5.1	27143423
eCl@ss 6.0	27143423
eCl@ss 7.0	27449001

Drawings

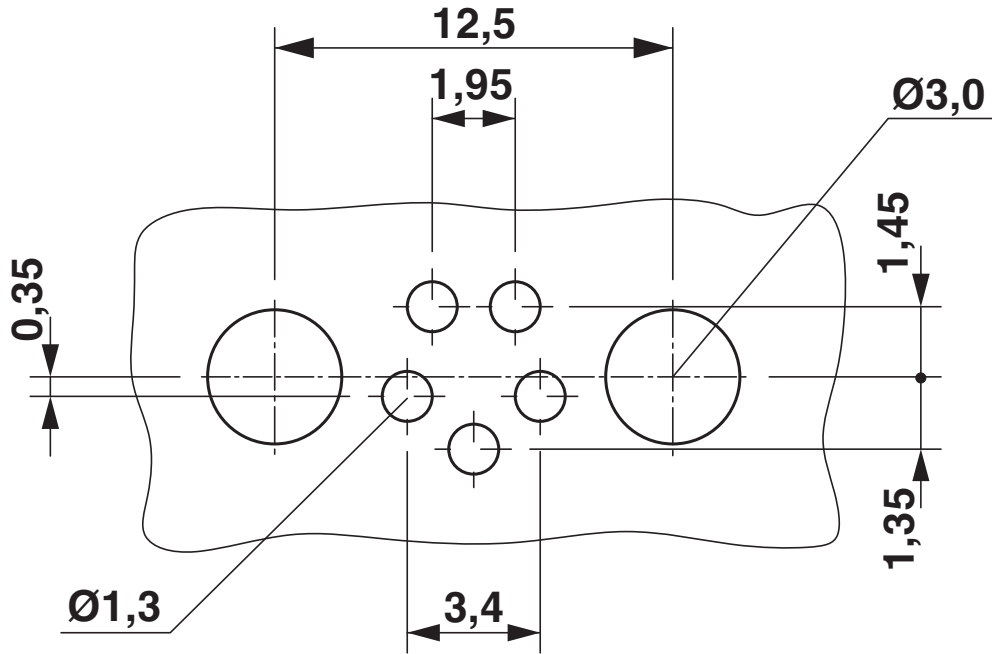
Schematic diagram



Pin assignment M8 male connector, 5-pos., B-coded, view male side

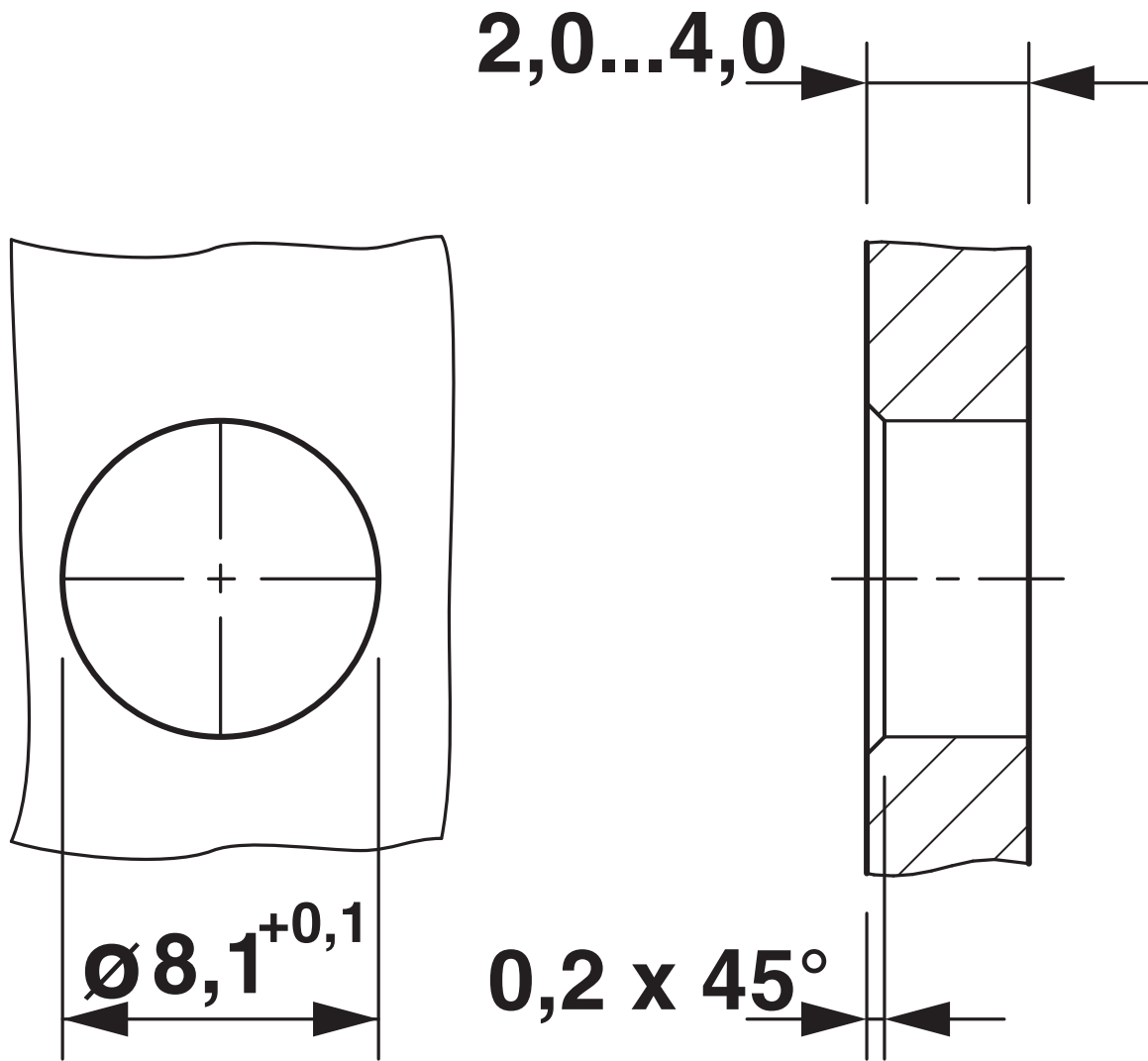
Flush-type connector - SACC-DSI-M8MS-5CON-M8-L180 DN - 1424242

Drilling diagram



Flush-type connector - SACC-DSI-M8MS-5CON-M8-L180 DN - 1424242

Dimensioned drawing





© Phoenix Contact 2012 - all rights reserved
<http://www.phoenixcontact.com>