



Chipsmall Limited consists of a professional team with an average of over 10 year of expertise in the distribution of electronic components. Based in Hongkong, we have already established firm and mutual-benefit business relationships with customers from,Europe,America and south Asia,supplying obsolete and hard-to-find components to meet their specific needs.

With the principle of “Quality Parts,Customers Priority,Honest Operation,and Considerate Service”,our business mainly focus on the distribution of electronic components. Line cards we deal with include Microchip,ALPS,ROHM,Xilinx,Pulse,ON,Everlight and Freescale. Main products comprise IC,Modules,Potentiometer,IC Socket,Relay,Connector.Our parts cover such applications as commercial,industrial, and automotives areas.

We are looking forward to setting up business relationship with you and hope to provide you with the best service and solution. Let us make a better world for our industry!



Contact us

Tel: +86-755-8981 8866 Fax: +86-755-8427 6832

Email & Skype: info@chipsmall.com Web: www.chipsmall.com

Address: A1208, Overseas Decoration Building, #122 Zhenhua RD., Futian, Shenzhen, China



Cable feed-through plates - MH-10CL-MULTI-55-PV-BK - 1424584

Please be informed that the data shown in this PDF Document is generated from our Online Catalog. Please find the complete data in the user's documentation. Our General Terms of Use for Downloads are valid (<http://phoenixcontact.com/download>)




Cable feed-through plates, no. of conductors: 10, length: 154 mm, width: 56 mm, height: 20 mm, external cable diameter: 6x 2 mm ... 8 mm , color: black

Why buy this product

- The panel cutouts of size B24 heavy-duty connectors can be used.



Key Commercial Data

Packing unit	1 STK
GTIN	 4 055626 374871
GTIN	4055626374871

Technical data

Dimensions

Length	154 mm
Width	56 mm
Height	20 mm
Drill hole distance, horizontal	130 mm
Drill hole distance, vertical	32 mm
External cable diameter	6x 2 mm ... 8 mm
	2x 2 mm ... 18 mm
	2x 2 mm ... 30 mm

Ambient conditions

Degree of protection	IP54
Ambient temperature (operation)	-40 °C ... 90 °C

General

No. of conductors	10
Material	TPE-SEBS

Cable feed-through plates - MH-10CL-MULTI-55-PV-BK - 1424584

Technical data

General

	PP (Core)
	TPE-SEBS (external material)
Flammability rating according to UL 94	V0
Color	black
Note	incl. mounting screws
Installation instructions	M4 mounting screw, torque: 1.8 Nm, SW5 Allen key
	<p>The mounting screws provided are to be used for assembly.</p> <p>Assembly sequence:</p> <ol style="list-style-type: none"> 1) Attach the cable feed-through (Multigate) using the mounting screws provided (observe torque) 2) Pierce a hole in the membrane (using a screwdriver) 3) Guide the cable through the opening (from the outside)

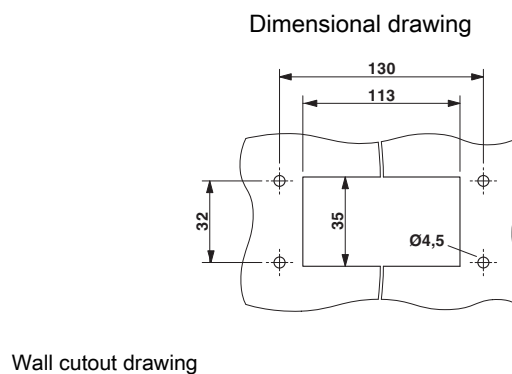
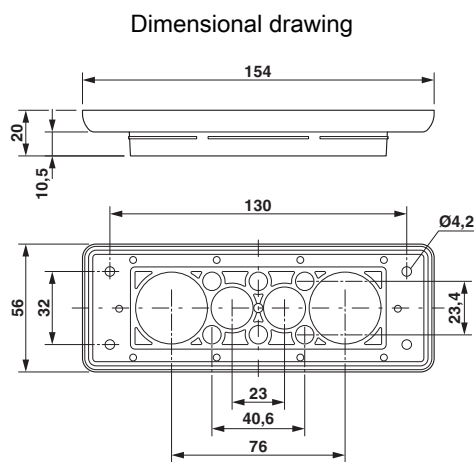
Standards and Regulations

Flammability rating according to UL 94	V0
--	----

Environmental Product Compliance

China RoHS	Environmentally friendly use period: unlimited = EFUP-e
	No hazardous substances above threshold values

Drawings



Dimensional drawing

Approvals

Approvals

Approvals

EAC

Cable feed-through plates - MH-10CL-MULTI-55-PV-BK - 1424584

Approvals

Ex Approvals

Approval details

EAC		EAC-Zulassung
-----	---	---------------

Phoenix Contact 2018 © - all rights reserved
<http://www.phoenixcontact.com>

PHOENIX CONTACT GmbH & Co. KG
Flachmarktstr. 8
32825 Blomberg
Germany
Tel. +49 5235 300
Fax +49 5235 3 41200
<http://www.phoenixcontact.com>