



Chipsmall Limited consists of a professional team with an average of over 10 year of expertise in the distribution of electronic components. Based in Hongkong, we have already established firm and mutual-benefit business relationships with customers from,Europe,America and south Asia,supplying obsolete and hard-to-find components to meet their specific needs.

With the principle of "Quality Parts,Customers Priority,Honest Operation,and Considerate Service",our business mainly focus on the distribution of electronic components. Line cards we deal with include Microchip,ALPS,ROHM,Xilinx,Pulse,ON,Everlight and Freescale. Main products comprise IC,Modules,Potentiometer,IC Socket,Relay,Connector.Our parts cover such applications as commercial,industrial, and automotives areas.

We are looking forward to setting up business relationship with you and hope to provide you with the best service and solution. Let us make a better world for our industry!



Contact us

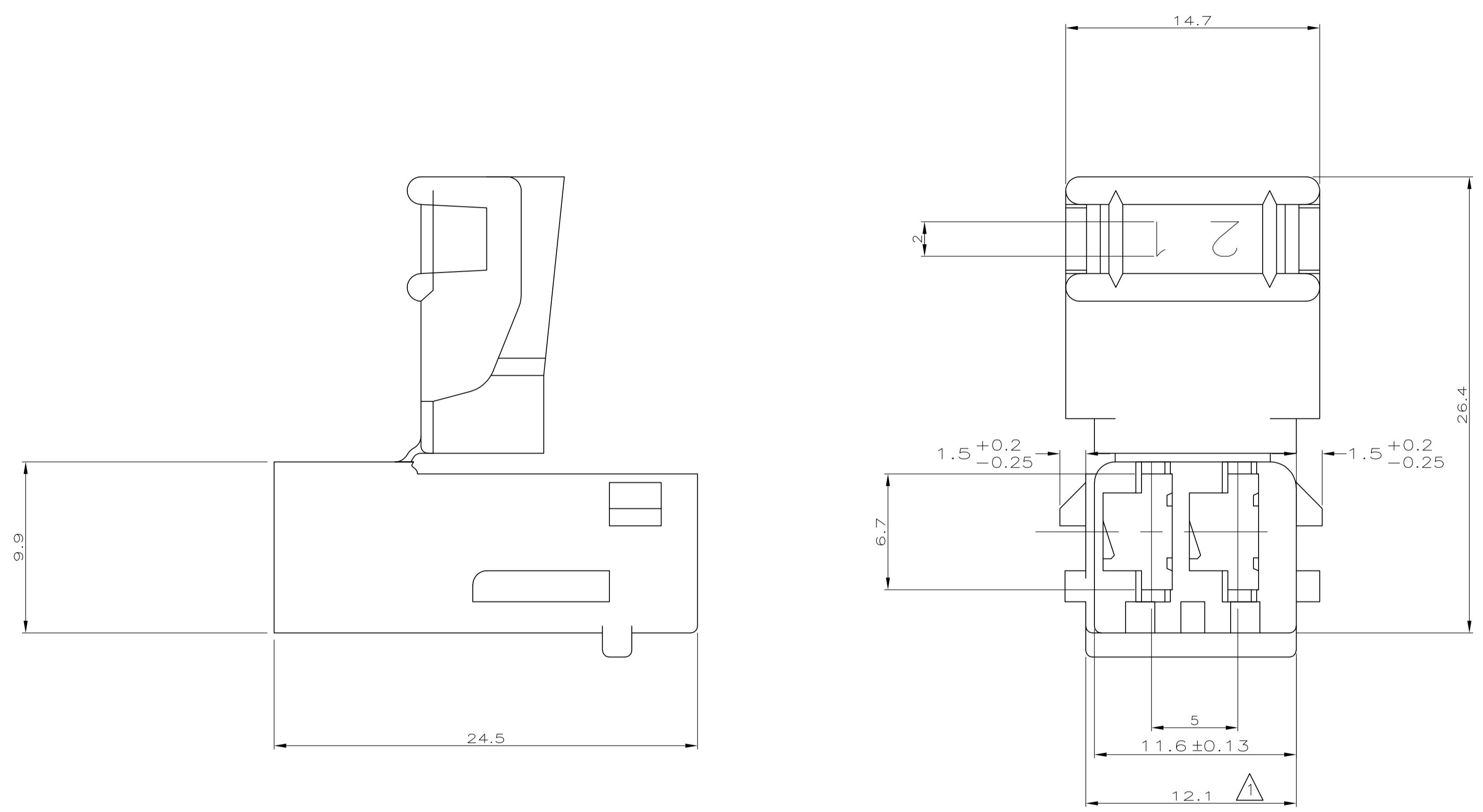
Tel: +86-755-8981 8866 Fax: +86-755-8427 6832

Email & Skype: info@chipsmall.com Web: www.chipsmall.com

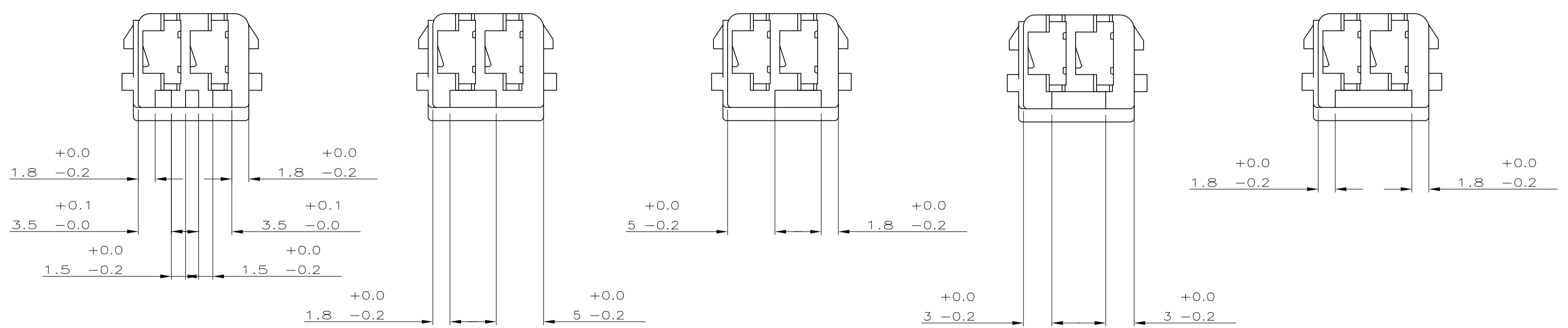
Address: A1208, Overseas Decoration Building, #122 Zhenhua RD., Futian, Shenzhen, China



LOC		DIST		REVISIONS			
F	7	P	LTR	DESCRIPTION	DATE	DWN	APVO
		REV		MODIFICATIONS		DESS	APP
		H1		REVISED PER ECO-11-005150	21MAR11	RK	HMR



NOTE \triangle : 11.6 MINI ADMIS AVEC DEFORMATION



142680-4	142680-9	142680-1	142680-2	142680-0	1 SAC: 3200 PIECES 1 BAG: 3200 PARTS
142680-7	142680-8	1-142680-1	142680-6	1-142680-0	8 SACS: 400 PIECES PAR SAC (8 BAGS: 400 PARTS BY BAG)
JAUNE (YELLOW)	BLANC (WHITE)	MARRON (BROWN)	ROUGE (RED)	NOIR (BLACK)	COULEUR (COLOR)

THIS DRAWING IS A CONTROLLED DOCUMENT.
 CE PLAN EST UN DOCUMENT CONTRÔLÉ

DIMENSIONS: mm

TOLERANCES UNLESS OTHERWISE SPECIFIED:
 TOLERANCES NON SPÉCIFIÉES:
 1- PLE/DEC ± 0.2
 2- PLE/DEC ± -
 3- PLE/DEC ± -
 4- PLE/DEC ± -
 ANGLES ± 1°

FINISH: -

MATERIAL: PA 6.6

WEIGHT: 1.640g
 MASSE APPROX: 1.640g

UNIFORMENT POUR REFERENCE

SCALE: 5:1
 ÉCHELLE: 5:1

RESTRICTED TO RESERVE A

TE Connectivity

BOITIER POSTIVE LOCK 2 VOIES

00779-142680

CUSTOMER DRAWING/PLAN CLIENT

UNIFORMENT POUR REFERENCE

SCALE: 5:1

SHEET 1 OF 1

REV H1