



Chipsmall Limited consists of a professional team with an average of over 10 year of expertise in the distribution of electronic components. Based in Hongkong, we have already established firm and mutual-benefit business relationships with customers from,Europe,America and south Asia,supplying obsolete and hard-to-find components to meet their specific needs.

With the principle of "Quality Parts,Customers Priority,Honest Operation,and Considerate Service",our business mainly focus on the distribution of electronic components. Line cards we deal with include Microchip,ALPS,ROHM,Xilinx,Pulse,ON,Everlight and Freescale. Main products comprise IC,Modules,Potentiometer,IC Socket,Relay,Connector.Our parts cover such applications as commercial,industrial, and automotives areas.

We are looking forward to setting up business relationship with you and hope to provide you with the best service and solution. Let us make a better world for our industry!



Contact us

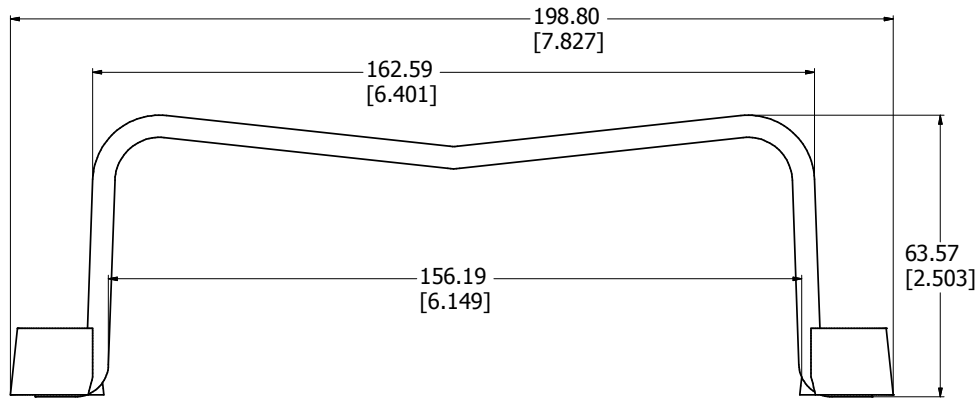
Tel: +86-755-8981 8866 Fax: +86-755-8427 6832

Email & Skype: info@chipsmall.com Web: www.chipsmall.com

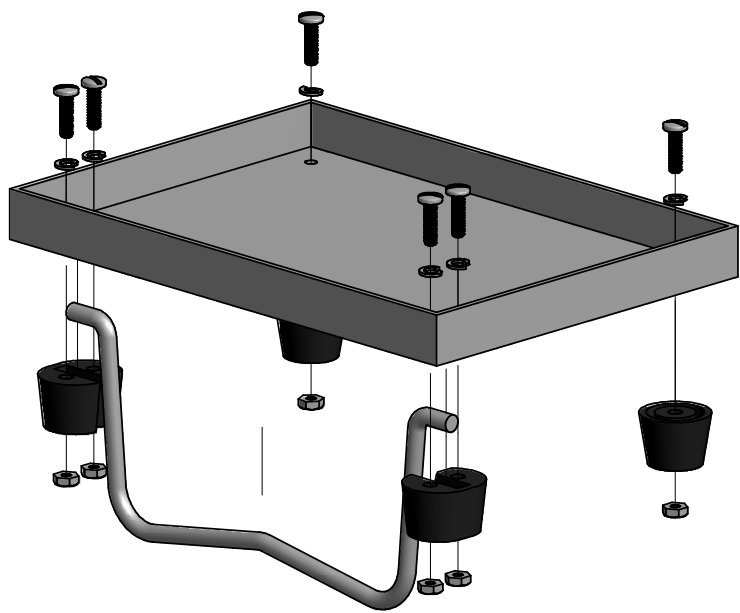
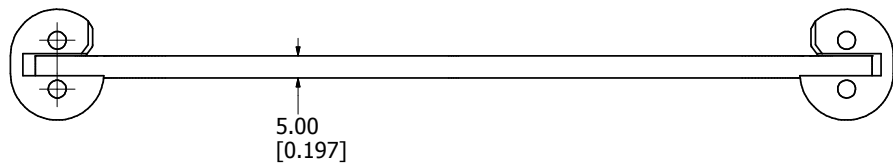
Address: A1208, Overseas Decoration Building, #122 Zhenhua RD., Futian, Shenzhen, China



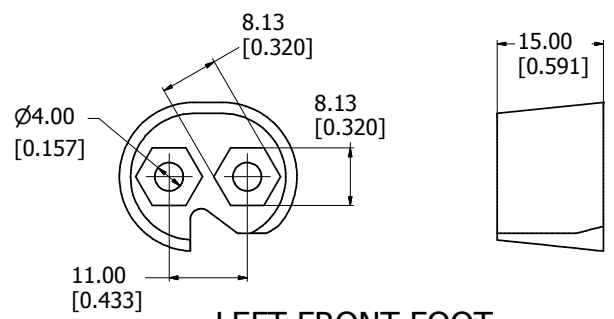
8 | 7 | 6 | 5 | 4 | 3 | 2 | 1



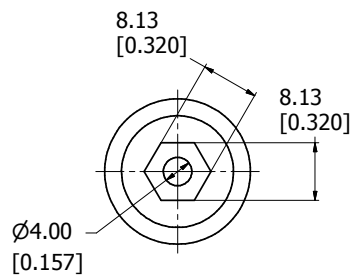
BAIL WITH FRONT FEET



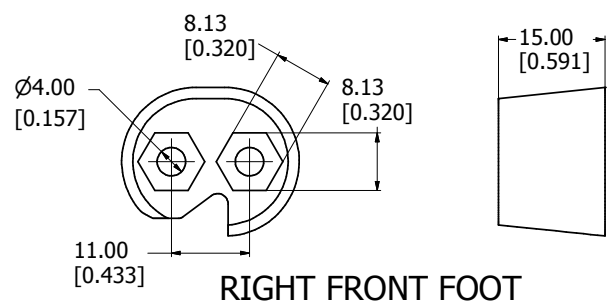
EXPLODED BAIL ASSEMBLY (BOX NOT INCLUDED)



LEFT FRONT FOOT



BACK FOOT



RIGHT FRONT FOOT

1427D7
Bail - Bright Chrome Plated Steel
Feet - Matte Black Plastic
Hardware
6 Screws - Panhead 6-32 x 1/2"
6 Nuts - #6-32 Hex Nut
6 Washers - #6 Lock-Washer
**note bail sold singly



**HAMMOND
MANUFACTURING™**

1427D7

8 | 7 | 6 | 5 | 4 | 3 | 2 | 1