



Chipsmall Limited consists of a professional team with an average of over 10 year of expertise in the distribution of electronic components. Based in Hongkong, we have already established firm and mutual-benefit business relationships with customers from,Europe,America and south Asia,supplying obsolete and hard-to-find components to meet their specific needs.

With the principle of “Quality Parts,Customers Priority,Honest Operation,and Considerate Service”,our business mainly focus on the distribution of electronic components. Line cards we deal with include Microchip,ALPS,ROHM,Xilinx,Pulse,ON,Everlight and Freescale. Main products comprise IC,Modules,Potentiometer,IC Socket,Relay,Connector.Our parts cover such applications as commercial,industrial, and automotives areas.

We are looking forward to setting up business relationship with you and hope to provide you with the best service and solution. Let us make a better world for our industry!



Contact us

Tel: +86-755-8981 8866 Fax: +86-755-8427 6832

Email & Skype: info@chipsmall.com Web: www.chipsmall.com

Address: A1208, Overseas Decoration Building, #122 Zhenhua RD., Futian, Shenzhen, China



Data sheet

Connection line M12 plug straight - RJ45 plug straight 8-pole, X-coded 5.0 m

Page 1/5

P/N

142M2X15050

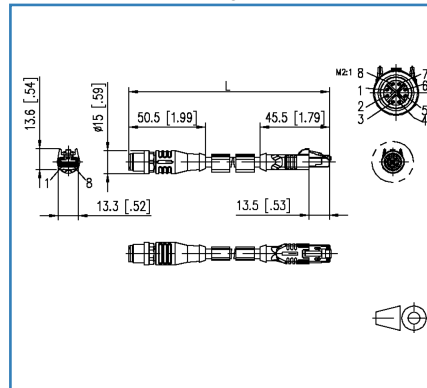
EAN 4250184158417

2017-10-10

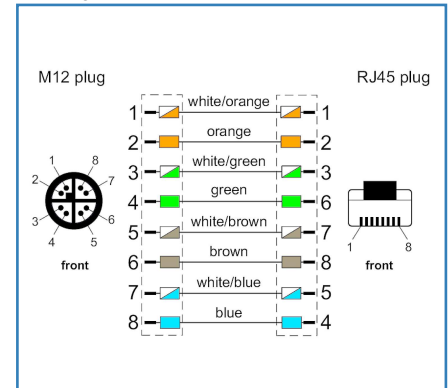
Illustrations



Dimensional drawing



Wiring



See enlarged drawings at the end of document

Product specification

- shielded M12-plug to RJ45-plug connection line
- Cat.6, 8-pole
- M12-connector, X-coded, straight to RJ45-plug
- connectors over molded
- stranded wires 4x2xAWG26/7 PiMF
- pin assignment per T568B
- overall shield tinned copper braid
- green cable, PUR
- standard variants: 1.0 m, 2.0 m, 5.0 m, 10.0 m
- other cable lengths on request

Data sheet

Page 2/5

Connection line M12 plug straight - RJ45 plug straight 8-pole, X-coded 5.0 m

P/N

142M2X15050

EAN 4250184158417

2017-10-10

Technical Data

General Data

Fields of application	Industrial Ethernet
Design	Ethernet-Connection line
Shielding	shielded
Transmission technology	Copper
Cable Type	S/FTP
Number of twisting elements	4
Twisting element	Pair
Wiring	T568B
Color coding fiber/ wire(s)	white/orange, orange, white/green, green, white/brown, brown, white/blue, blue
Color	green
Dimensions	
Dimension - Interface 1 (L x W x H)	50.50 x 15.00 x 15.00 mm
Dimension - Interface 1 (L x W x H)	1.988 x 0.591 x 0.591 in.
Dimension - Interface 2 (L x W x H)	45.50 x 13.30 x 13.60 mm
Dimension - Interface 2 (L x W x H)	1.791 x 0.524 x 0.535 in.
Cable length (m)	5.00 m
Cable length (ft)	16.40 ft
Labeling option	identification label carrier

Transmission characteristics

Category (ISO)	6
Transmission rate up to 1 GBit (Fast Ethernet)	IEEE 802.3ab

Connections/interfaces

Connector technology interface 1	RJ45 plug
Connector technology interface 2	M12-plug
Coding interface 2	X-coded
Number of positions/contacts interface 1	8P/8C
Number of positions/contacts interface 2	8



Connection line M12 plug straight - RJ45 plug straight 8-pole, X-coded 5.0 m

P/N

142M2X15050

EAN 4250184158417

2017-10-10

Technical Data

Connections/interfaces

Termination data, stranded wire (min. - max.)

Conductor cross section, stranded wire	AWG 26/7
Conductor cross section, stranded wire	0.141 mm ²
Conductor diameter, stranded wire (bare copper)	0.483 mm
Conductor diameter, stranded wire (bare copper)	0.019 in.
Cable sheath diameter (min. - max.)	
Cable sheath diameter	6.40 mm
Cable sheath diameter	0.236 in.

Electrical characteristics

Through resistance	max. 5 mOhm
Insulation resistance	min. 100 MOhm

Mechanical characteristics

Bending radius without load	min. 64 mm
-----------------------------	------------

Materials and material properties

Material - Conductor	Cu (copper)
Material - Cable jacket	PUR
Material - Plug housing interface 1	PVC (polyvinyl chloride)
Material - Body interface 2	Plastics
Material - Contact interface 1	CuSn (tin bronze)
Material - Contact interface 2	CuZn (brass)
Material - Contact finish interface 2	Au (gold)
Material - Contact carriers interface 2	Plastics
Material - Union nut interface 2	CuZn (brass)
Material - Union nut finish interface 2	Ni (nickel)
Material - Shield interface 1	CuSn (tin bronze)
Material - Main shield	Cu (copper) braid
Material - Main shield finish	Sn (tin)
Flame retardancy	yes



Data sheet

Page 4/5

Connection line M12 plug straight - RJ45 plug straight 8-pole, X-coded 5.0 m

P/N

142M2X15050

EAN 4250184158417

2017-10-10

Technical Data

Environmental conditions

Temperature (min. - max.)	
Temperature - Storage °C	-20 - 75 °C
Temperature - Storage °F	-4 - 167 °F
Temperature - Operating °C	-20 - 75 °C
Temperature - Operating °F	-4 - 167 °F
Particulate ingress interface 1	IP2X
Liquid ingress/immersion interface 1	IPX0
Particulate ingress interface 2	IP6X when plugged in
Liquid ingress/immersion interface 2	IPX7 when plugged in
Pollution degree interface 1	1
Pollution degree interface 2	3/2

Approvals

RoHS	compliant
------	-----------

The product meets the following standards

Generic cabling systems	
General requirements	ISO/IEC 11801-1 DIN EN 50173-1
Multi-element metallic cables used in analogue and digital communication and control	DIN EN 50288-4-1
Test for vertical flame propagation for a single insulated wire or cable	DIN EN 60332-1-2
Measurement of smoke density of cables burning	DIN EN 61034

Classifications

ETIM 5.0	EC002599
ETIM 6.0	EC002599

Packing details

Type of packaging	1 pc(s) / plastic bag
Packaging unit - Weight (gram)	305.00 g
Packaging unit - Weight (pound)	0.67 lb



**Connection line M12 plug straight - RJ45 plug straight
8-pole, X-coded 5.0 m**

P/N

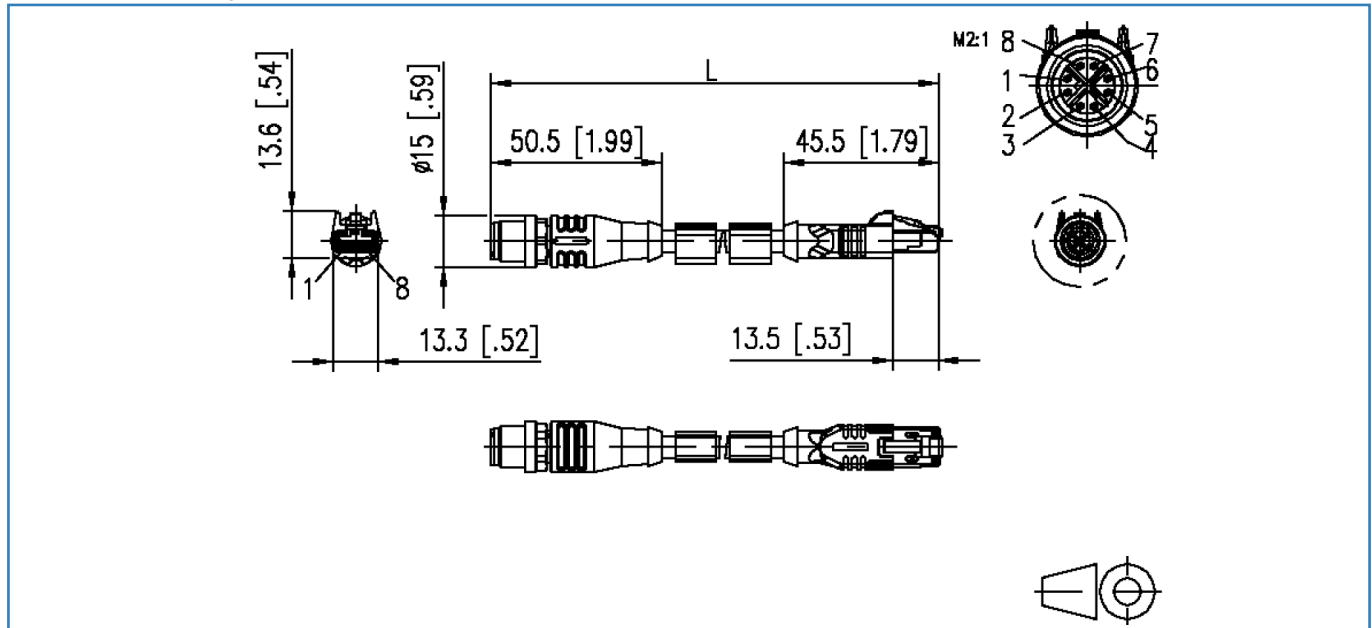
142M2X15050

EAN 4250184158417

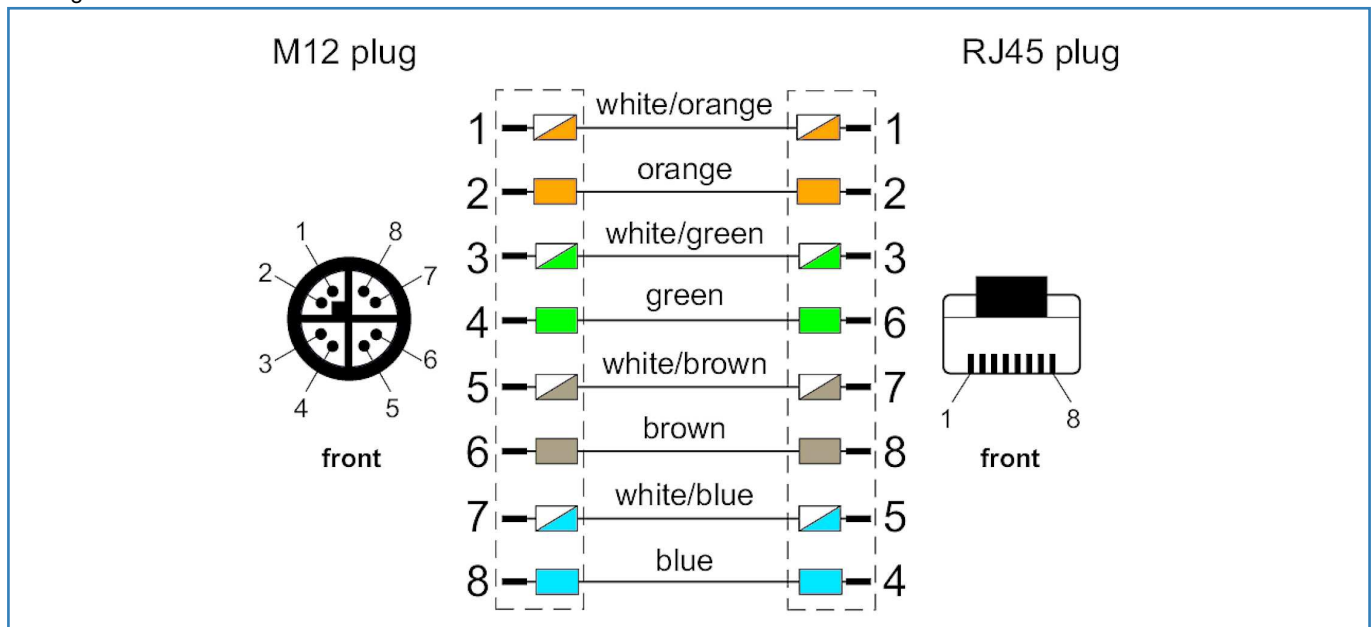
2017-10-10

Illustrations

Dimensional drawing



Wiring



© 2017 METZ CONNECT - Technische Änderungen vorbehalten! Subject to modifications! Sous réserve de modifications techniques!