



Chipsmall Limited consists of a professional team with an average of over 10 year of expertise in the distribution of electronic components. Based in Hongkong, we have already established firm and mutual-benefit business relationships with customers from,Europe,America and south Asia,supplying obsolete and hard-to-find components to meet their specific needs.

With the principle of "Quality Parts,Customers Priority,Honest Operation,and Considerate Service",our business mainly focus on the distribution of electronic components. Line cards we deal with include Microchip,ALPS,ROHM,Xilinx,Pulse,ON,Everlight and Freescale. Main products comprise IC,Modules,Potentiometer,IC Socket,Relay,Connector.Our parts cover such applications as commercial,industrial, and automotives areas.

We are looking forward to setting up business relationship with you and hope to provide you with the best service and solution. Let us make a better world for our industry!



Contact us

Tel: +86-755-8981 8866 Fax: +86-755-8427 6832

Email & Skype: info@chipsmall.com Web: www.chipsmall.com

Address: A1208, Overseas Decoration Building, #122 Zhenhua RD., Futian, Shenzhen, China



SPECIFICATION CONTROL DRAWING

55/0812

TITLE	WIRE, RADIATION-CROSSLINKED, MODIFIED ETFE-INSULATED, NORMAL WEIGHT, OUTER SPACE, 600 VOLT	Date	5-9-11	Revision	G
-------	--	------	--------	----------	---

This specification sheet forms a part of the latest issue of Raychem Specification 55/.

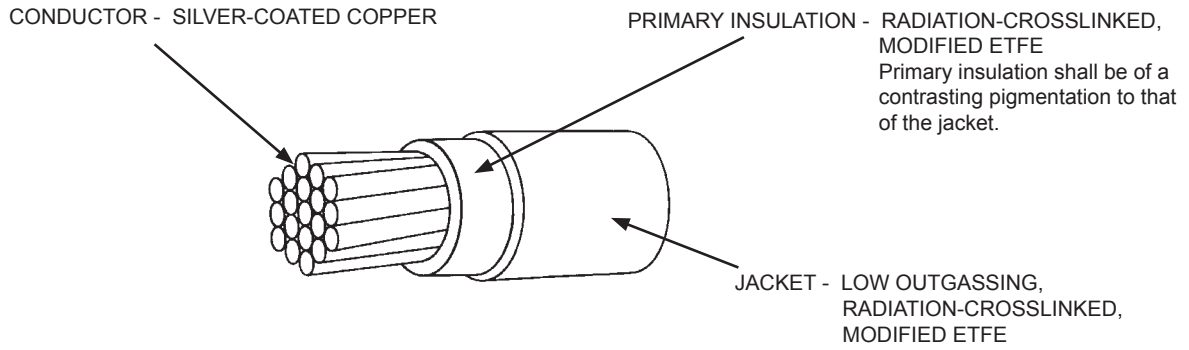


TABLE I. CONSTRUCTION DETAILS

PART NUMBER 1/	WIRE SIZE (AWG)	CONDUCTOR STRANDING (number x AWG)	DIAMETER OF STRANDED CONDUCTOR (in.)		FINISHED WIRE		
			MINIMUM	MAXIMUM	MAXIMUM RESISTANCE AT 20°C (ohms/1000 ft.)	DIAMETER (in.)	MAXIMUM WEIGHT (lbs/1000 ft.)
55/0812-28-*	28	7 x 36	.014	.015	63.8	.035 ± .002	1.2
55/0812-26-*	26	19 x 38	.018	.019	38.4	.040 ± .002	1.7
55/0812-24-*	24	19 x 36	.023	.025	24.3	.045 ± .002	2.3
55/0812-22-*	22	19 x 34	.029	.031	15.1	.050 ± .002	3.2
55/0812-20-*	20	19 x 32	.037	.039	9.19	.058 ± .002	4.7
55/0812-18-*	18	19 x 30	.046	.048	5.79	.070 ± .003	7.2
55/0812-16-*	16	19 x 29	.052	.054	4.52	.077 ± .003	9.0
55/0812-14-*	14	19 x 27	.065	.068	2.88	.094 ± .003	13.8
55/0812-12-*	12	37 x 28	.084	.087	1.90	.111 ± .003	20.5
55/0812-10-*	10	37 x 26	.106	.112	1.19	.134 ± .004	32.4
55/0812-8-*	8	133 x 29	.158	.169	.658	.195 ± .008	61.9
55/0812-6-*	6	133 x 27	.198	.213	.418	.241 ± .010	94.5

Users should evaluate the suitability of this product for their application. Specifications are subject to change without notice. Tyco Electronics Corporation also reserves the right to make changes in materials or processing, which do not affect compliance with any specification, without notification to Buyer.

1/ COLORS AND COLOR CODE DESIGNATORS SHALL BE IN ACCORDANCE WITH MIL-STD-681. OTHER CODES AND SUFFIXES MAY BE ADDED TO THE PART NUMBER. AS NECESSARY, TO CAPTURE ANY ADDITIONAL REQUIREMENTS IMPOSED BY THE PURCHASE ORDER.

TE Connectivity, TE connectivity (logo), TE (logo), and Raychem are trademarks.

DIMENSIONS ARE IN INCHES, AND UNLESS OTHERWISE DESIGNATED ARE NOMINAL.

THIS SPECIFICATION SHEET TAKES PRECEDENCE OVER DOCUMENTS REFERENCED HEREIN. REFERENCED DOCUMENTS SHALL BE OF THE ISSUE IN EFFECT ON DATE OF INVITATION FOR BID.



Raychem Wire & Cable
501 Oakside Avenue
Redwood City, CA 94063-3800
Phone: 1-800-227-8816
Fax: 1-650-361-6297

TABLE II. PERFORMANCE DETAILS		
PART NUMBER 1/	BEND TESTING	
	MANDREL DIAMETER (inch) (± 3%)	WEIGHT (lb) (± 3%)
	CROSSLINKED VERIFICATION	CROSSLINKED VERIFICATION
55/0812-28-*	.375	.250
55/0812-26-*	.375	.500
55/0812-24-*	.500	.750
55/0812-22-*	.500	1.00
55/0812-20-*	.500	1.50
55/0812-18-*	.750	2.00
55/0812-16-*	1.00	2.00
55/0812-14-*	1.00	3.00
55/0812-12-*	1.50	3.00
55/0812-10-*	2.00	3.00
55/0812-8-*	3.00	4.00
55/0812-6-*	4.00	4.00

WIRE RATINGS AND ADDITIONAL REQUIREMENTS

TEMPERATURE RATING: 200°C

Maximum continuous conductor temperature

VOLTAGE RATING: 600 volts (rms) at sea level

COLOR: White preferred

CROSSLINKED VERIFICATION: 300 ± 3°C for 1 hour

IDENTIFICATION AND COLOR STRIPING DURABILITY:

125 cycles (250 strokes) (minimum), 500 g weight

INSULATION ELONGATION: 50% (minimum)

INSULATION FLAWS:

Primary Insulation:

Spark Test, 1.5 kV (rms)

Impulse Dielectric Test, 6.0 kV (peak)

Finished Wire,

Spark Test, 3.0 kV (rms)

Impulse Dielectric Test, 8.0 kV (peak)

INSULATION THICKNESS: .009 in. (minimum) total insulation

RADIATION RESISTANCE: 500 megarads

SHRINKAGE: 230 ± 3°C for 1 hour, 0.125 in. (maximum) in 12 inches

VACUUM STABILITY:

Total Mass Loss (TML), 1.00% (maximum)

Volatile Condensable Material (VCM), 0.10% (maximum)

VOLTAGE WITHSTAND (Post Environmental): 2500 volts (rms), 60 Hz, 5 minutes

PART NUMBER:

The "*" in the part numbers on pages 1 and 2 shall be replaced by a color code designator.

1/ Example: AWG 22, white: 55/0812-22-9

AWG 22, white with a black stripe: 55/0812-22-90

1/ See footer section on page 1