



Chipsmall Limited consists of a professional team with an average of over 10 year of expertise in the distribution of electronic components. Based in Hongkong, we have already established firm and mutual-benefit business relationships with customers from,Europe,America and south Asia,supplying obsolete and hard-to-find components to meet their specific needs.

With the principle of “Quality Parts,Customers Priority,Honest Operation,and Considerate Service”,our business mainly focus on the distribution of electronic components. Line cards we deal with include Microchip,ALPS,ROHM,Xilinx,Pulse,ON,Everlight and Freescale. Main products comprise IC,Modules,Potentiometer,IC Socket,Relay,Connector.Our parts cover such applications as commercial,industrial, and automotives areas.

We are looking forward to setting up business relationship with you and hope to provide you with the best service and solution. Let us make a better world for our industry!



Contact us

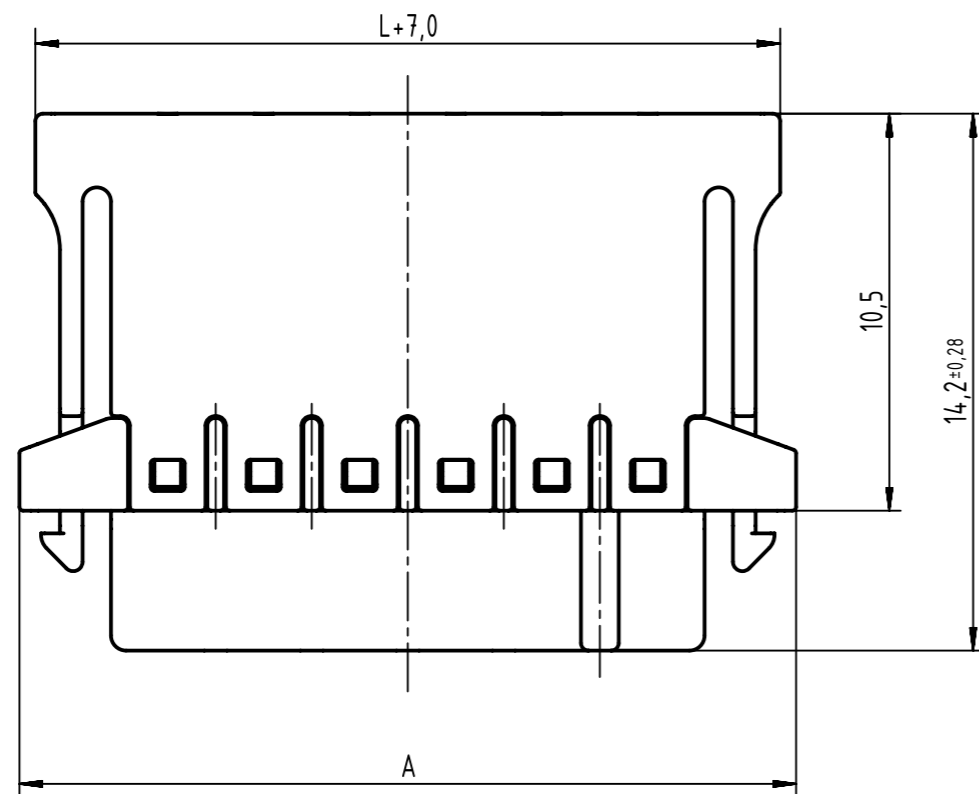
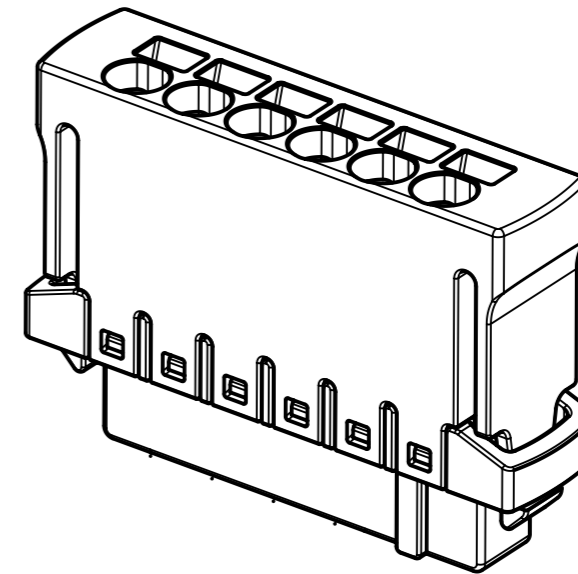
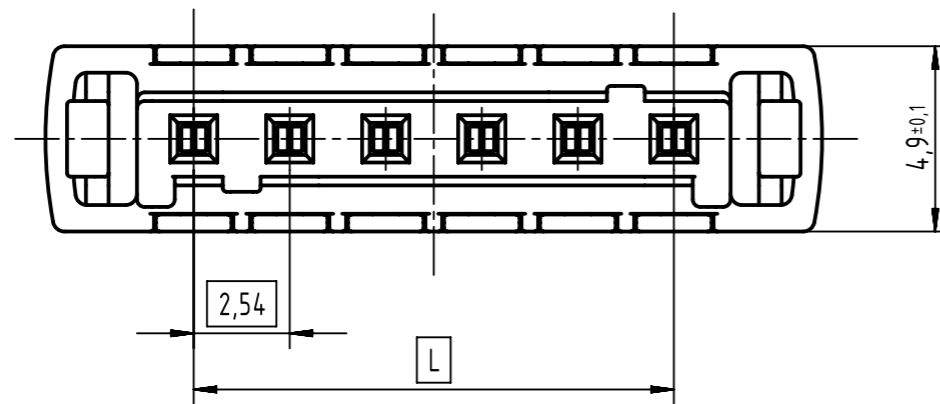
Tel: +86-755-8981 8866 Fax: +86-755-8427 6832

Email & Skype: info@chipsmall.com Web: www.chipsmall.com

Address: A1208, Overseas Decoration Building, #122 Zhenhua RD., Futian, Shenzhen, China



contact-position — 1



further information see: DS 14312102001

12	14311213101000	27,94	35,78
11	14311113101000	25,40	33,24
10	14311013101000	22,86	30,70
9	14310913101000	20,32	28,16
8	14310813101000	17,78	25,62
7	14310713101000	15,24	23,08
6	14310613101000	12,70	20,54
5	14310513101000	10,16	18,00
4	14310413101000	7,62	15,46
3	14310313101000	5,08	12,92
2	14310213101000	2,54	10,38
number of contacts	part number	L = 2,54 x (pole -1) A	

	All rights reserved		Created by	Inspected by	Standardisation	Date	State
	Department EC PD - DE		HASSE	FRIESENH	KOHLER	2013-10-09	Final Release
HARTING Electronics GmbH		Title				Doc-Key / ECM-Nr.	
D-32339 Espelkamp		har-flexicon female-connector				100230267/UGD/038/B 50000067079	
		Type	Number		Rev.	Page	
		TB	1431XX13101000		B	1/1	