



Chipsmall Limited consists of a professional team with an average of over 10 year of expertise in the distribution of electronic components. Based in Hongkong, we have already established firm and mutual-benefit business relationships with customers from,Europe,America and south Asia,supplying obsolete and hard-to-find components to meet their specific needs.

With the principle of “Quality Parts,Customers Priority,Honest Operation,and Considerate Service”,our business mainly focus on the distribution of electronic components. Line cards we deal with include Microchip,ALPS,ROHM,Xilinx,Pulse,ON,Everlight and Freescale. Main products comprise IC,Modules,Potentiometer,IC Socket,Relay,Connector.Our parts cover such applications as commercial,industrial, and automotives areas.

We are looking forward to setting up business relationship with you and hope to provide you with the best service and solution. Let us make a better world for our industry!



Contact us

Tel: +86-755-8981 8866 Fax: +86-755-8427 6832

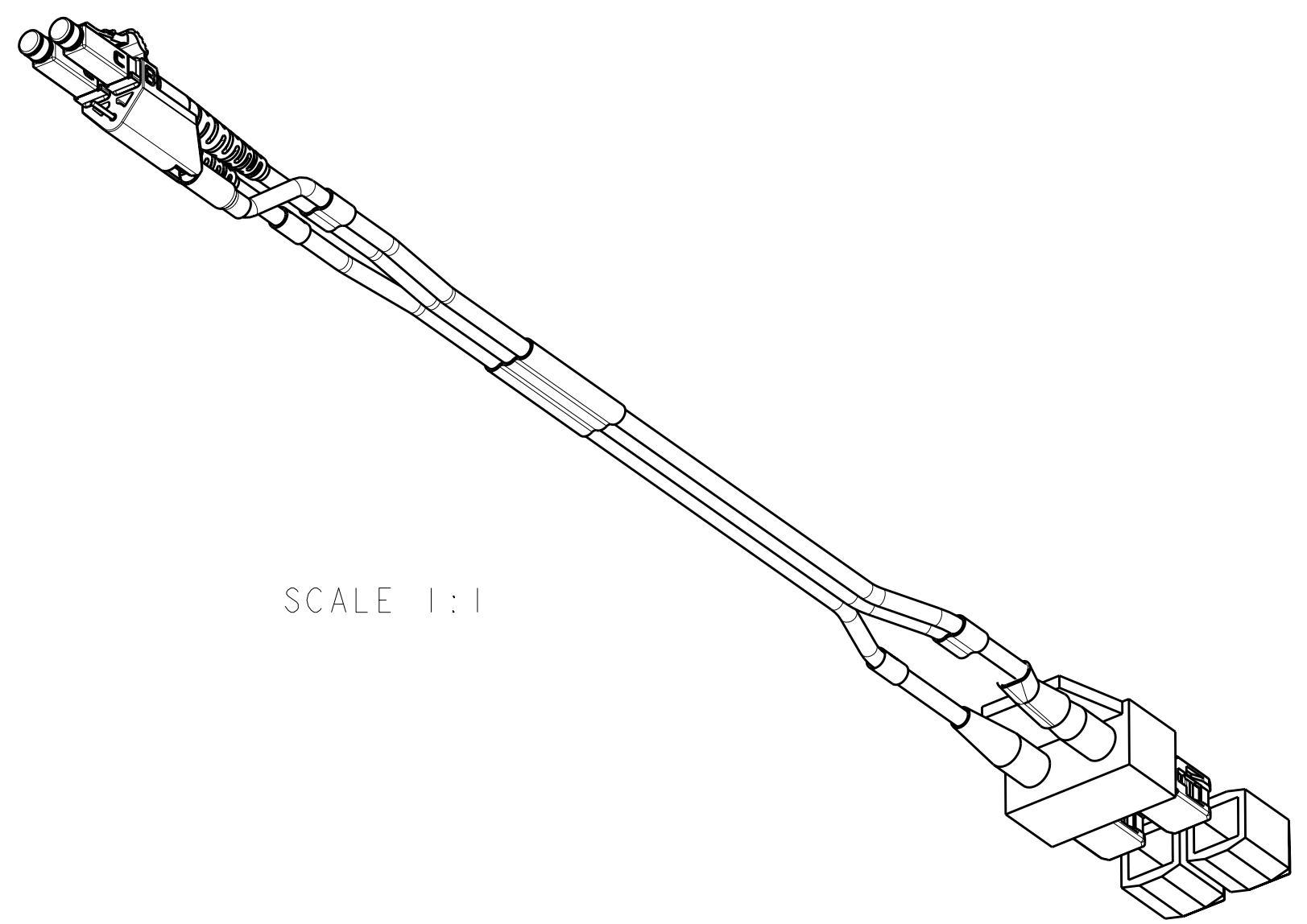
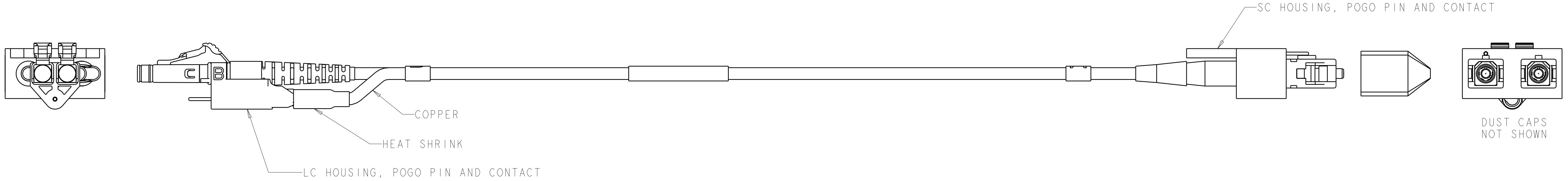
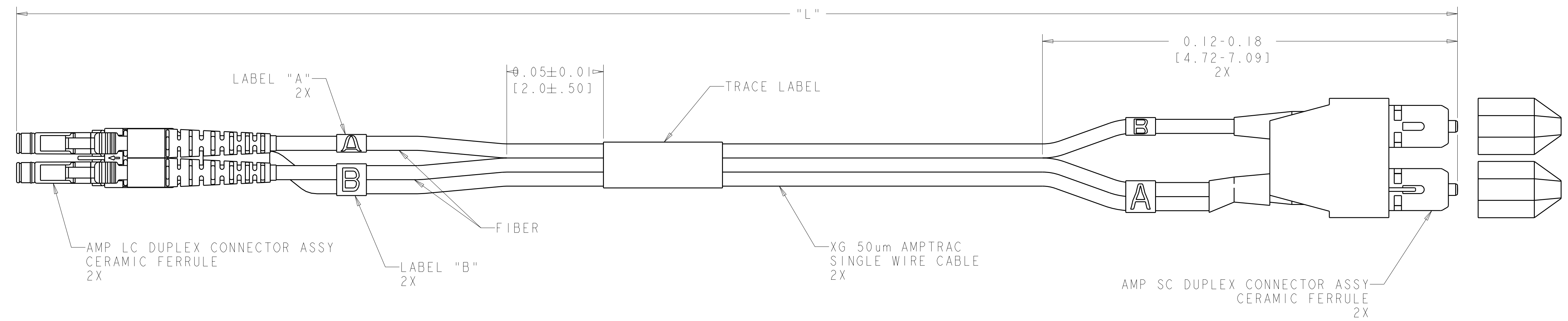
Email & Skype: info@chipsmall.com Web: www.chipsmall.com

Address: A1208, Overseas Decoration Building, #122 Zhenhua RD., Futian, Shenzhen, China



CONNECTOR LOSS (dB)	"L" METERS [INCHES]	PART NUMBER
.53	20.0±.20 [787.4±7.9]	2-1435796-0
.52	10.0±.15 [393.7±6]	1-1435796-0
.52	7.0±0.08 [275.6±3]	1435796-7
.51	5.0±.08 [196.9±3]	1435796-5
.50	3.0±.05 [118.1±2.0]	1435796-3
.50	2.0±.05 [78.7±2.0]	1435796-2
.50	1.0±.05 [39.4±2.0]	1435796-1

LOC	DIST	REV	DATE	BY	APPD
HM	00	A	31MAY2005	JM	MD
		B	12DEC2005	GG	MD
		C	09MAR2009	GG	DC



SCALE 1:1

- △ DIMENSIONS IN [] ARE IN INCHES.
- △ MAXIMUM CONNECTOR LOSS IS EQUAL TO .50 dB PLUS CABLE ATTENUATION.

<small>THIS DRAWING IS UNPUBLISHED. IT IS SUBJECT TO CHANGE WITHOUT NOTICE AND WITHOUT OBLIGATION. TYPED CHANGES WILL BE CONTACTED FOR THE LATEST REVISION.</small>		DWN J MCNEAL 31MAY2005 CHK L SMLTH 31MAY2005 APVD M DELPHIAS 31MAY2005	Tyco Electronics Harrisburg, PA 17105-3608
DIMENSIONS: △ METERS 	TOLERANCES UNLESS OTHERWISE SPECIFIED: 9 PLC ± 1 PLC ± 3 PLC ± 4 PLC ± ANGLES ± FINISH ±	NAME CABLE ASSY FIBER OPTIC AMPTRAC SC TO LC DUPLEX, XG 50um, MM	SIZE CAGE CODE DRAWING NO A100779C-1435796
MATERIAL	FINISH	WEIGHT	RESTRICTED TO
CUSTOMER DRAWING		SCALE 2:1	SHEET 1 OF 1 REV C