



Chipsmall Limited consists of a professional team with an average of over 10 year of expertise in the distribution of electronic components. Based in Hongkong, we have already established firm and mutual-benefit business relationships with customers from,Europe,America and south Asia,supplying obsolete and hard-to-find components to meet their specific needs.

With the principle of “Quality Parts,Customers Priority,Honest Operation,and Considerate Service”,our business mainly focus on the distribution of electronic components. Line cards we deal with include Microchip,ALPS,ROHM,Xilinx,Pulse,ON,Everlight and Freescale. Main products comprise IC,Modules,Potentiometer,IC Socket,Relay,Connector.Our parts cover such applications as commercial,industrial, and automotives areas.

We are looking forward to setting up business relationship with you and hope to provide you with the best service and solution. Let us make a better world for our industry!



## Contact us

Tel: +86-755-8981 8866 Fax: +86-755-8427 6832

Email & Skype: info@chipsmall.com Web: www.chipsmall.com

Address: A1208, Overseas Decoration Building, #122 Zhenhua RD., Futian, Shenzhen, China



## Type 4, 4X Stainless Steel Pushbutton Enclosures *1435SS Series*



### Application

- Designed to accept standard heavy duty oil tight pushbuttons, switches and pilot lights.
- Provides protection from dirt, dust, oil and large amounts of water from any angle, or where highly corrosive conditions exist.

### Standards

- UL 508 Type 4 and 4X
- CSA Type 4 and 4X
- **Complies with**
  - NEMA Type 3R, 4 and 4X
  - JIC Standard EGP-1-1967
  - IEC 60529, IP66
- Appropriate components are required to maintain these standards.

### Construction

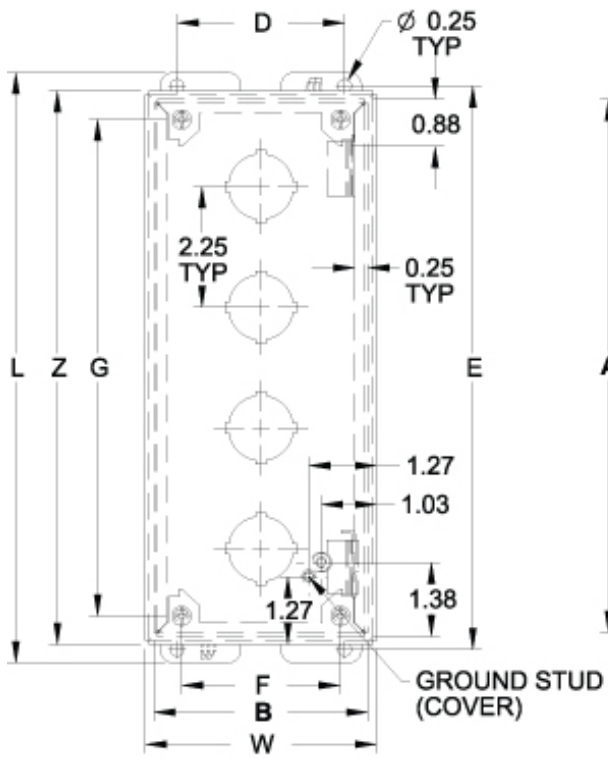
- Formed 14 gauge stainless steel except A and B which are 16 gauge. 304 or 316 SS.
- Smooth continuously welded seams.
- Welded brackets provide for enclosure mounting.
- Captive stainless steel cover screws thread into sealed wells.
- Larger enclosures provide internally hinged removable covers, designed to hold the cover open during wiring.
- Oil resistant gasket and adhesive.
- A bonding stud is provided on the door and a grounding stud is provided on the enclosure.

### Finish

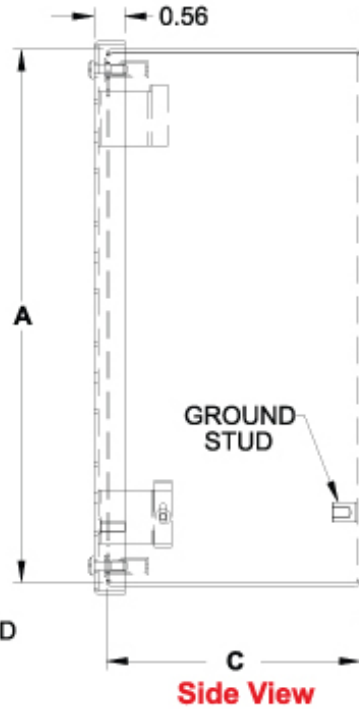
- Natural stainless steel with a smooth brushed finish.

### Accessories

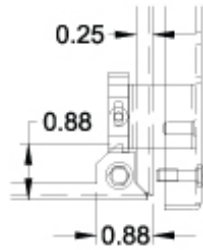
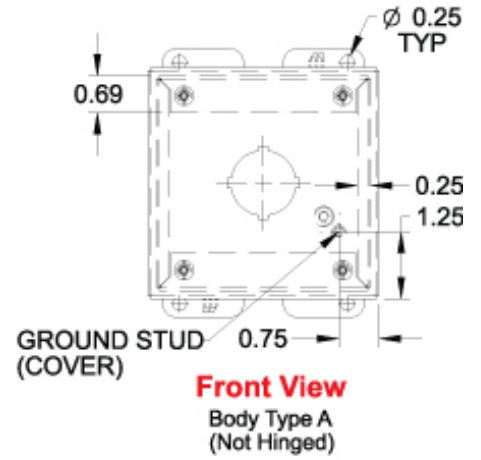
- Hole Plugs
- Ground Wire Kits



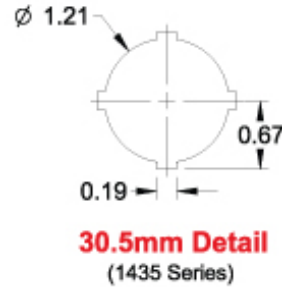
**Front View**  
Body Type B through S  
(Hinged)

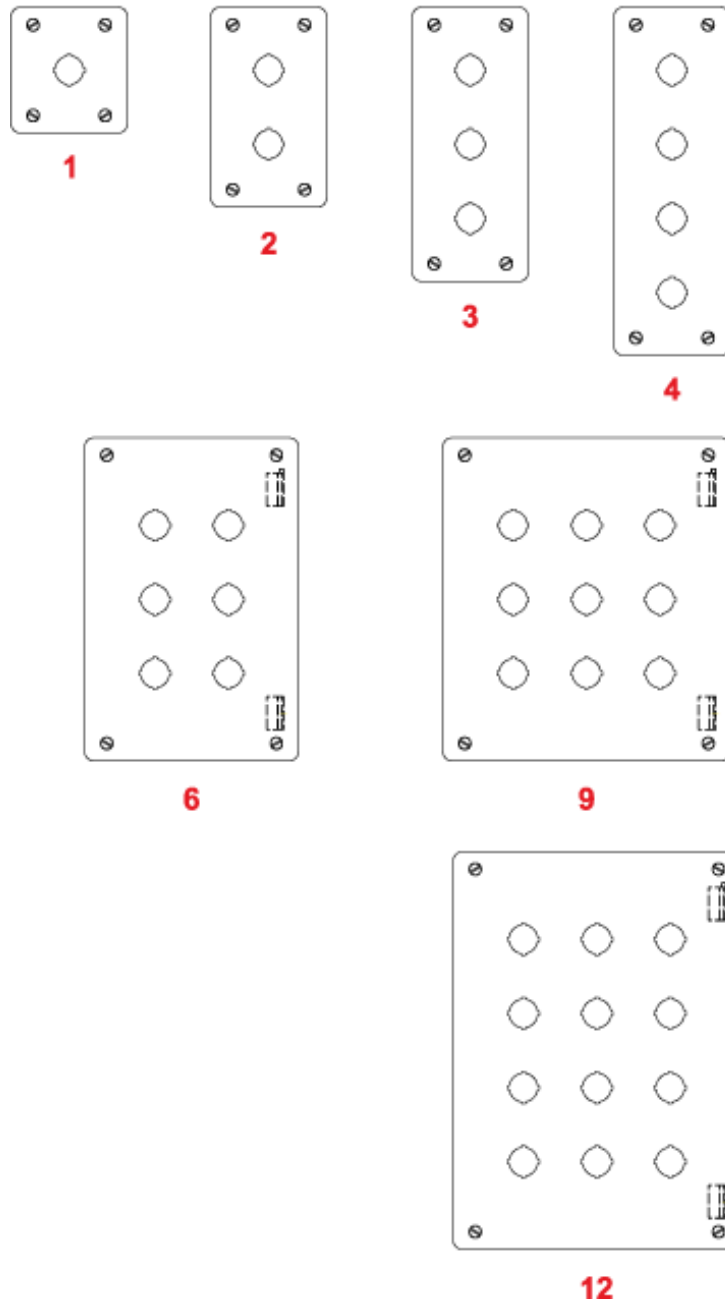


**Side View**



**Hinge Detail**  
Retractable pin allows door to be  
mounted on left or right side





Part No.				No. Of Holes	Overall Dimensions							Ship lbs.			
304 S.S. 22.5mm	304 S.S. 30.5mm	316 S.S. 22.5mm	316 S.S. 30.5mm		A	B	C	D	E	F	G		L	W	Z
1435MSSA <sup>1</sup>	1435SSA <sup>1</sup>	1435MS16A <sup>1</sup>	1435S16A <sup>1</sup>	1	3.50	3.25	2.75	2.38	4.00	2.21	2.75	4.50	3.56	3.81	2
1435MSSB <sup>1</sup>	1435SSB <sup>1</sup>	1435MS16B <sup>1</sup>	1435S16B <sup>1</sup>	2	5.75	3.25	2.75	2.38	6.25	2.21	5.00	6.75	3.56	6.06	3
1435MSSC <sup>1</sup>	1435SSC <sup>1</sup>	1435MS16C <sup>1</sup>	1435S16C <sup>1</sup>	3	8.00	3.25	2.75	2.38	8.50	2.21	7.25	9.00	3.56	8.31	3
1435MSSD <sup>1</sup>	1435SSD <sup>1</sup>	1435MS16D <sup>1</sup>	1435S16D <sup>1</sup>	4	10.25	3.25	2.75	2.38	10.75	2.21	9.50	11.25	3.56	10.56	4
1435MSSH	1435SSH	1435MS16H	1435S16H	6	9.50	6.25	3.00	5.38	10.00	5.21	8.75	10.50	6.56	9.81	6
1435MSSK	1435SSK	1435MS16K	1435S16K	9	9.50	8.50	3.00	7.63	10.00	7.46	8.75	10.50	8.81	9.81	7
1435MSSO	1435SSO	1435MS16O	1435S16O	12	11.75	8.50	3.00	7.63	12.25	7.46	11.00	12.75	8.81	12.06	8

<sup>1</sup> Not hinged

Data subject to change without notice

