



Chipsmall Limited consists of a professional team with an average of over 10 year of expertise in the distribution of electronic components. Based in Hongkong, we have already established firm and mutual-benefit business relationships with customers from,Europe,America and south Asia,supplying obsolete and hard-to-find components to meet their specific needs.

With the principle of “Quality Parts,Customers Priority,Honest Operation,and Considerate Service”,our business mainly focus on the distribution of electronic components. Line cards we deal with include Microchip,ALPS,ROHM,Xilinx,Pulse,ON,Everlight and Freescale. Main products comprise IC,Modules,Potentiometer,IC Socket,Relay,Connector.Our parts cover such applications as commercial,industrial, and automotives areas.

We are looking forward to setting up business relationship with you and hope to provide you with the best service and solution. Let us make a better world for our industry!



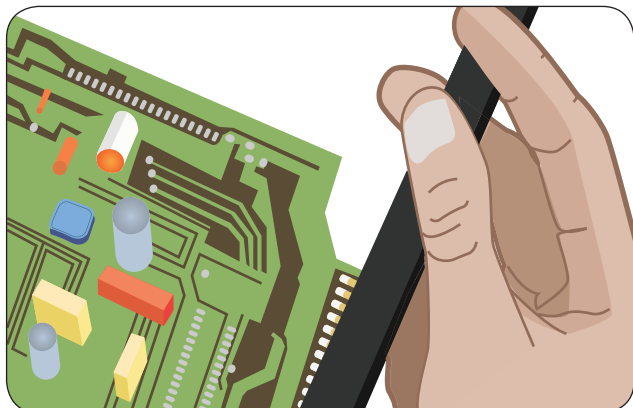
Contact us

Tel: +86-755-8981 8866 Fax: +86-755-8427 6832

Email & Skype: info@chipsmall.com Web: www.chipsmall.com

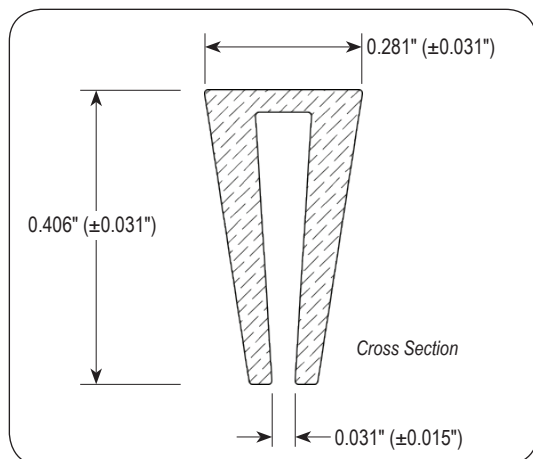
Address: A1208, Overseas Decoration Building, #122 Zhenhua RD., Futian, Shenzhen, China





Specifications

Material: Black, Conductive Low Density Polyethylene
 Resistance: $< 1 \times 10^6$ ohms
 Corrosivity: Non-corrosive, per FTMS 101C, Method 3005
 Temperature Stability: 32°F to 250°F (0°C to 121°C)



Item	Size	Quantity
14361	1.5"	50/Pack
14362	3.0"	50/Pack
14363	4.0"	50/Pack
14364	12"	20/Pack
14365	1,000'	Roll

RoHS 3, REACH, and Conflict Minerals Statement

See the Desco Industries RoHS 3, REACH, and Conflict Minerals Statement:

DescoIndustries.com/RoHS.aspx

See the Desco Limited Warranty:

Desco.DescoIndustries.com/Limited-Warranty.aspx

See the Desco Disclaimer:

Desco.DescoIndustries.com/Disclaimer.aspx

Specifications and procedures subject to change without notice.



Made in the
United States of America

PCB EDGE PROTECTOR, DISSIPATIVE, LOW TEMP

DESCO WEST: 3651 WALNUT AVE., CHINO, CA 91710 WEB SITE: Desco.com
 PHONE (909) 627-8178

DESCO EAST: ONE COLGATE WAY, CANTON, MA 02021-1407
 PHONE (781) 821-8370

Drawing
Number
14361

DATE:
October
2017

DESCO