



Chipsmall Limited consists of a professional team with an average of over 10 year of expertise in the distribution of electronic components. Based in Hongkong, we have already established firm and mutual-benefit business relationships with customers from,Europe,America and south Asia,supplying obsolete and hard-to-find components to meet their specific needs.

With the principle of "Quality Parts,Customers Priority,Honest Operation,and Considerate Service",our business mainly focus on the distribution of electronic components. Line cards we deal with include Microchip,ALPS,ROHM,Xilinx,Pulse,ON,Everlight and Freescale. Main products comprise IC,Modules,Potentiometer,IC Socket,Relay,Connector.Our parts cover such applications as commercial,industrial, and automotives areas.

We are looking forward to setting up business relationship with you and hope to provide you with the best service and solution. Let us make a better world for our industry!



Contact us

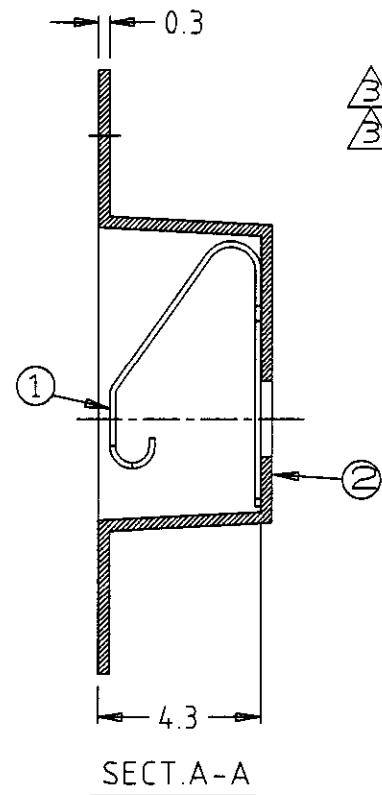
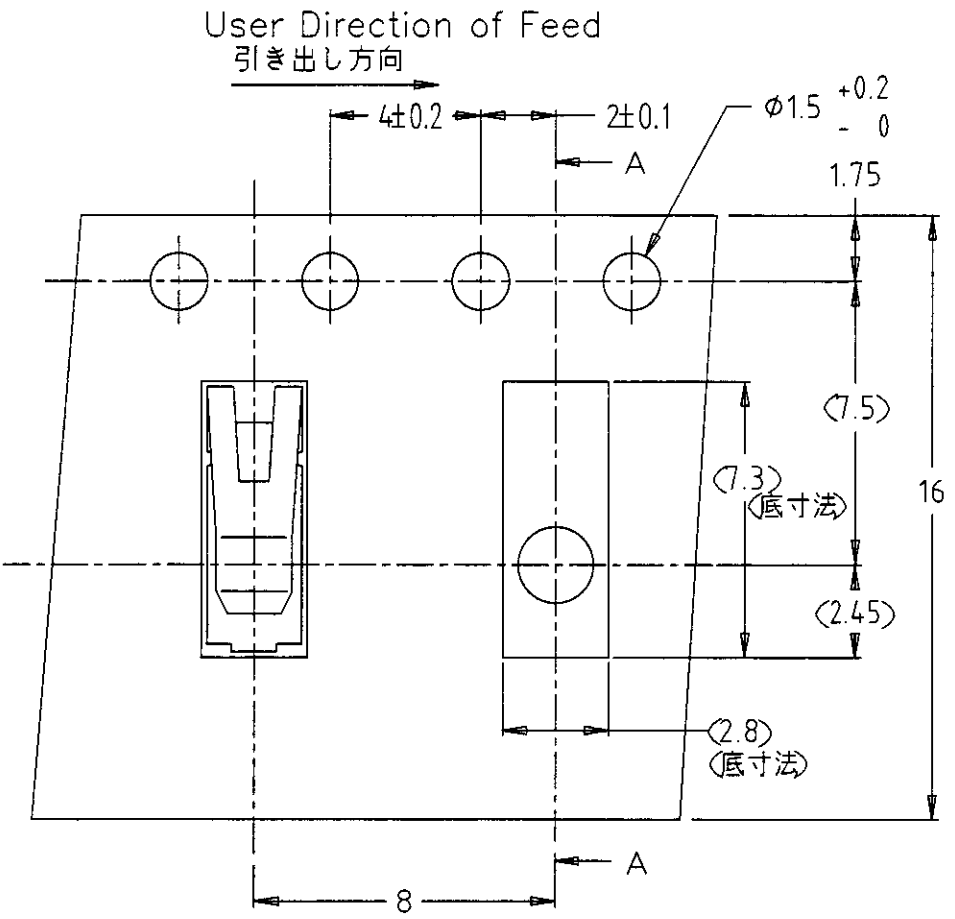
Tel: +86-755-8981 8866 Fax: +86-755-8427 6832

Email & Skype: info@chipsmall.com Web: www.chipsmall.com

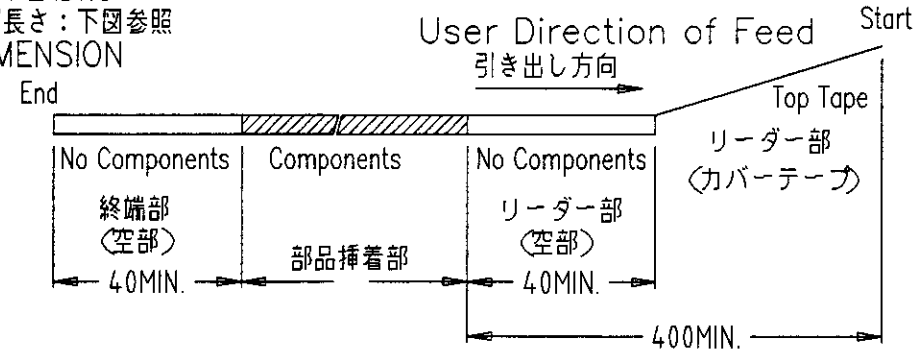
Address: A1208, Overseas Decoration Building, #122 Zhenhua RD., Futian, Shenzhen, China



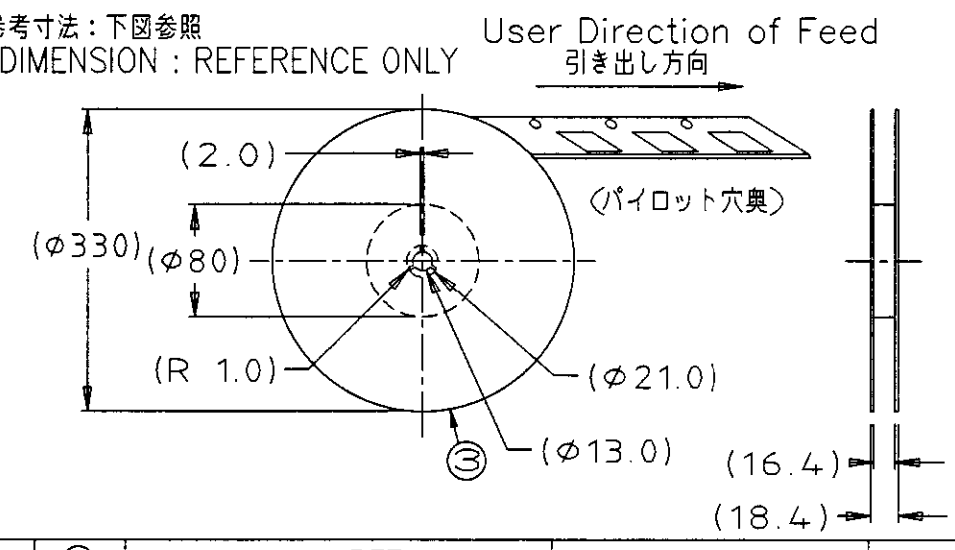
LOC	DIST	REVISIONS					
J	-	P	LTR	DESCRIPTION	DATE	DWN	APVD
		0		Released(FJ00-1444-00)	13SEP00	(K.T.)	K.K.



- 注記
NOTE
1. 一般公差: ±0.3
1. GENERAL TOLERANCE: ±0.3
 2. 梱包数量: 2,000ヶ/リール
2. PACKING STYLE: 2,000pcs/reel
 3. 材質:
3. MATERIAL:
シールドフィンガー: 銅合金(前めっき: ニッケル下地金めっき 0.05μmMIN.)
SHIELD FINGER: COPPER ALLOY(NICKEL-PLATING)
キャリアテープ: アクリル系フィルム
CARRIER TAPE: ACRYLIC FILM
カバーテープ: PET系フィルム
TOP TAPE: PET FILM
リール: プラリール
REEL: PLASTIC
 4. リードテープ長さ: 下図参照
4. TAPES DIMENSION



5. リール参考寸法: 下図参照
5. REEL DIMENSION: REFERENCE ONLY



1437259-6	3100089	③	リール REEL	(旧型番: 3150008)	1
		②	エンボスキャリア テープ CARRIER TAPE	(旧型番: 3150047)	2000ポケット (部品装着部)
		①	シールドフィンガー 4025 SHIELD FINGER 4025	(旧型番: 3400232)	2000ヶ
型番	テーピング梱包型番 PACKING Cat.No.	№.	名称 DESIGNATION	型番 Cat.No.	数量

THIS DRAWING IS A CONTROLLED DOCUMENT.

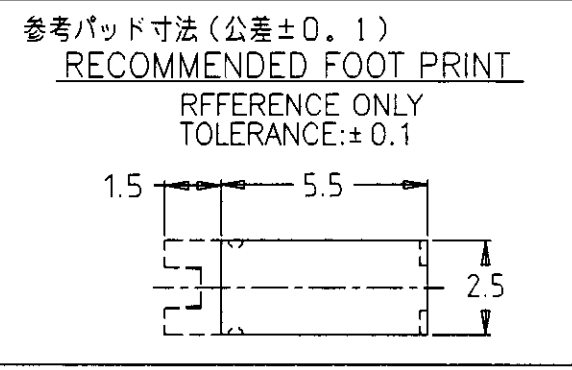
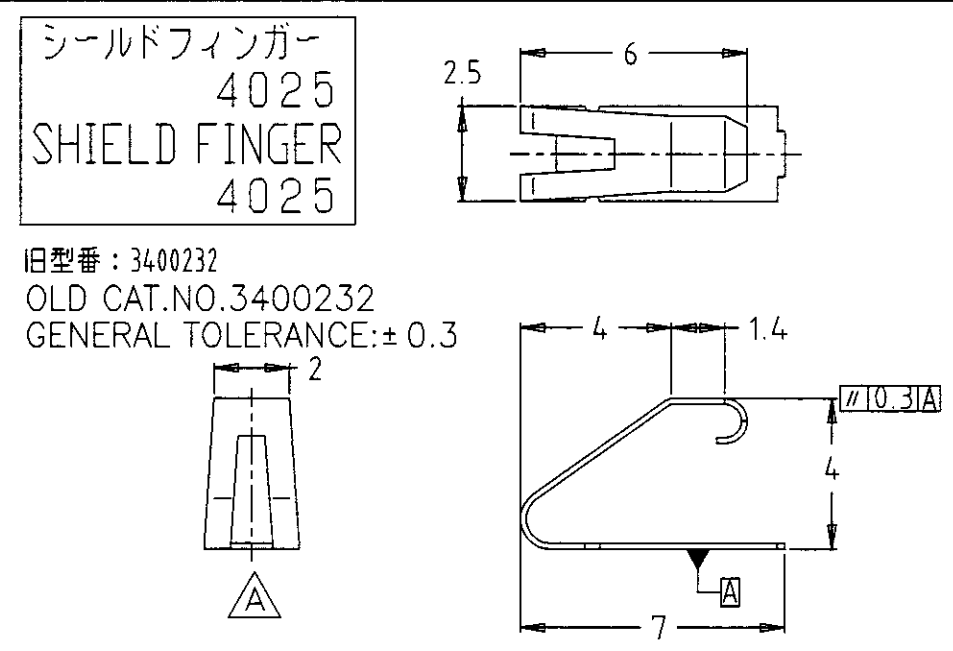
DWN (K.TAMURA) 13SEP00
CHK
APVD
PRODUCT SPEC
APPLICATION SPEC
MATERIAL FINISH WEIGHT

AMP Tyco Electronics AMP K.K. Kawasaki, Japan

NAME: シールドフィンガー 4025用 テーピング梱包
PACKING OF SHIELD FINGER 4025 ON CONTINUOUS TAPES

SIZE: A3 CAGE CODE: 00779 DRAWING NO: C-1437259-6 RESTRICTED TO: -

CUSTOMER DRAWING SCALE: 5:1 SHEET: 1 OF 1 REV: 0



C3100089
E3100089