



Chipsmall Limited consists of a professional team with an average of over 10 year of expertise in the distribution of electronic components. Based in Hongkong, we have already established firm and mutual-benefit business relationships with customers from,Europe,America and south Asia,supplying obsolete and hard-to-find components to meet their specific needs.

With the principle of “Quality Parts,Customers Priority,Honest Operation,and Considerate Service”,our business mainly focus on the distribution of electronic components. Line cards we deal with include Microchip,ALPS,ROHM,Xilinx,Pulse,ON,Everlight and Freescale. Main products comprise IC,Modules,Potentiometer,IC Socket,Relay,Connector.Our parts cover such applications as commercial,industrial, and automotives areas.

We are looking forward to setting up business relationship with you and hope to provide you with the best service and solution. Let us make a better world for our industry!



## Contact us

Tel: +86-755-8981 8866 Fax: +86-755-8427 6832

Email & Skype: info@chipsmall.com Web: www.chipsmall.com

Address: A1208, Overseas Decoration Building, #122 Zhenhua RD., Futian, Shenzhen, China



RELEASED FOR PUBLICATION 24-JUL-2001  
 FREI FÜR VERÖFFENTLICHUNG

THIS DRAWING IS UNPUBLISHED  
 VERTRÄGLICHE UNVERÖFFENTLICHT-ZEICHNUNG

COPYRIGHT 2001 BY TYCO ELECTRONICS CORPORATION ALL RIGHTS RESERVED.  
 VERTRÄGLICHE UNVERÖFFENTLICHT-ZEICHNUNG

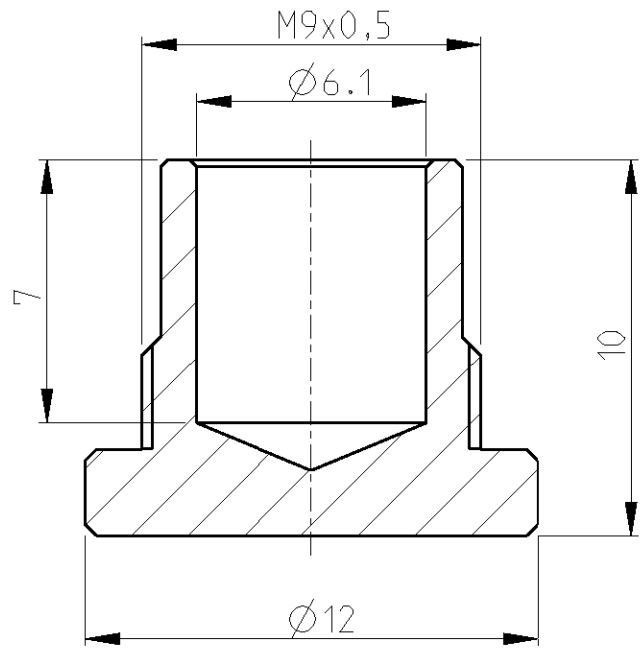
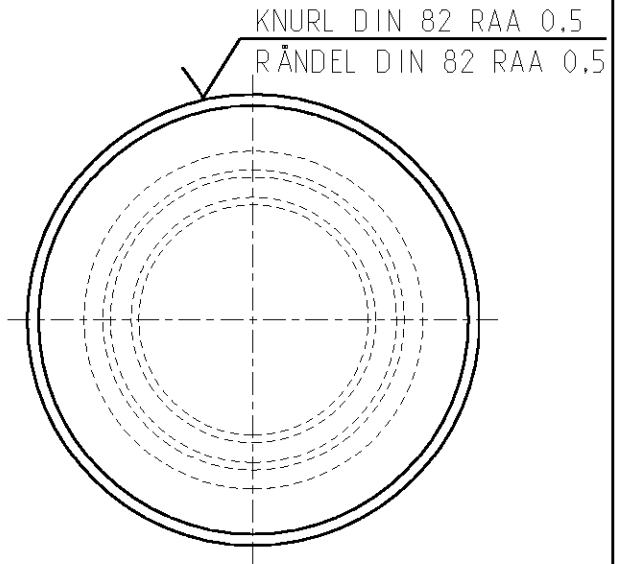
DATE WITH: PASSEND ZU:	LOC - A1	DIST -	REVISIONS ÄNDERUNGEN					
PROJEKT NR.: EGLPC01017			P	LTR	DESCRIPTION BESCHREIBUNG	DATE	DWN	APVD
				A1	EG00-1033-01	11JUN2001	NG	GF

NOTES:

- 1 BRASS
- 2 MIN. ORDER QUANTITY: 250 PCS.

BEMERKUNGEN:

- 1 MESSING
- 2 MINDESTBESTELLMENGE: 250 STK.



T01-0500-S	0-1437719-8
CAT.-NO. / KAT.-NR.	TYCO-NO. / TYCO-NR.

DIMENSIONS: MASSEINHEITEN: MM	DWN N. GEISTER	11JUN2001	MATERIAL	- 1	FINISH OBERFLÄCHE/FARBE	-					
	CHK H. SCHERER	11JUN2001	tyco Electronics AMP GmbH D - 64625 Bensheim								
TOLERANCES UNLESS OTHERWISE SPECIFIED: ALLGEMEINTOLERANZEN	APVD G. FELDMEIER	11JUN2001					NAME T01 MALE SCREW ING TUBE, METAL T01 SCHRAUBKAPPE BUCHSE, METALL				
	0 PLC ± 1 PLC ± 2 PLC ± DIN 7168 m 3 PLC ± 4 PLC ± ANGLES/WINKEL ±°	PRODUCT SPEC PRODUKTSPEZ.	-	SIZE	CAGE CODE	DRAWING NO ZEICHNUNGS-NR.	RESTRICTED TO NUR FUER				
	APPLICATION SPEC VERARBEITUNGSSPEZ.	-	A 4	00779	G=1437719-8	-					
WEIGHT GEWICHT		-	CUSTOMER DRAWING /KUNDENZEICHNUNG		SCALE MASSSTAB	5:1	SHEET BLATT	1	OF VON	1	REV A1