



Chipsmall Limited consists of a professional team with an average of over 10 year of expertise in the distribution of electronic components. Based in Hongkong, we have already established firm and mutual-benefit business relationships with customers from,Europe,America and south Asia,supplying obsolete and hard-to-find components to meet their specific needs.

With the principle of “Quality Parts,Customers Priority,Honest Operation,and Considerate Service”,our business mainly focus on the distribution of electronic components. Line cards we deal with include Microchip,ALPS,ROHM,Xilinx,Pulse,ON,Everlight and Freescale. Main products comprise IC,Modules,Potentiometer,IC Socket,Relay,Connector.Our parts cover such applications as commercial,industrial, and automotives areas.

We are looking forward to setting up business relationship with you and hope to provide you with the best service and solution. Let us make a better world for our industry!



Contact us

Tel: +86-755-8981 8866 Fax: +86-755-8427 6832

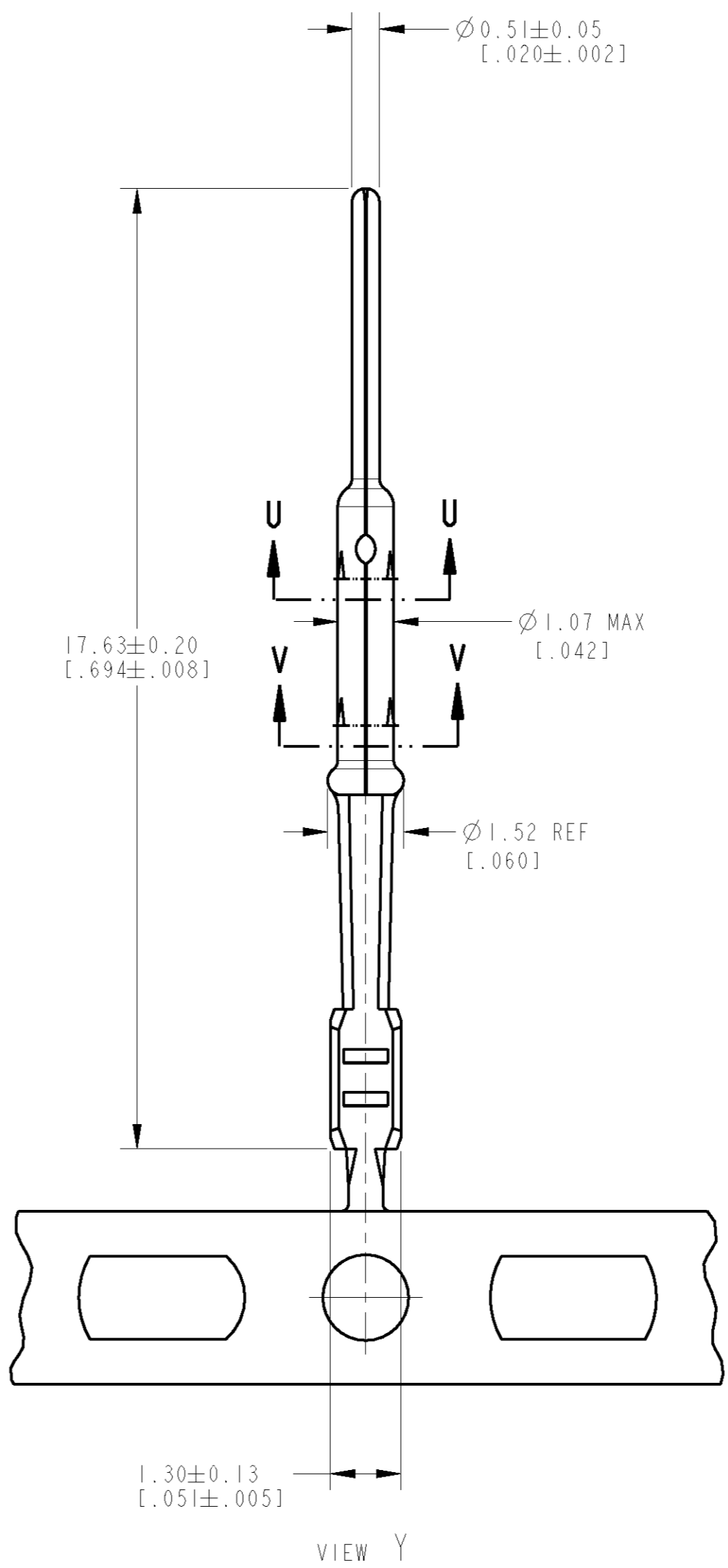
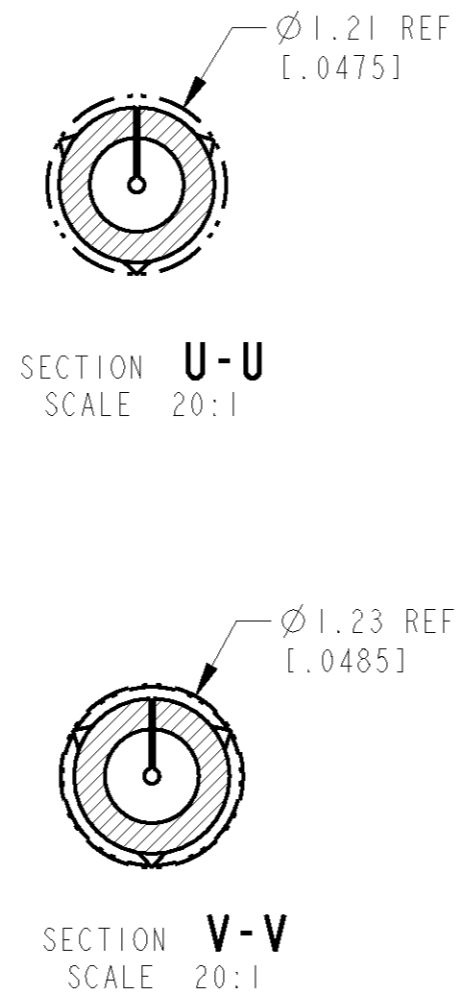
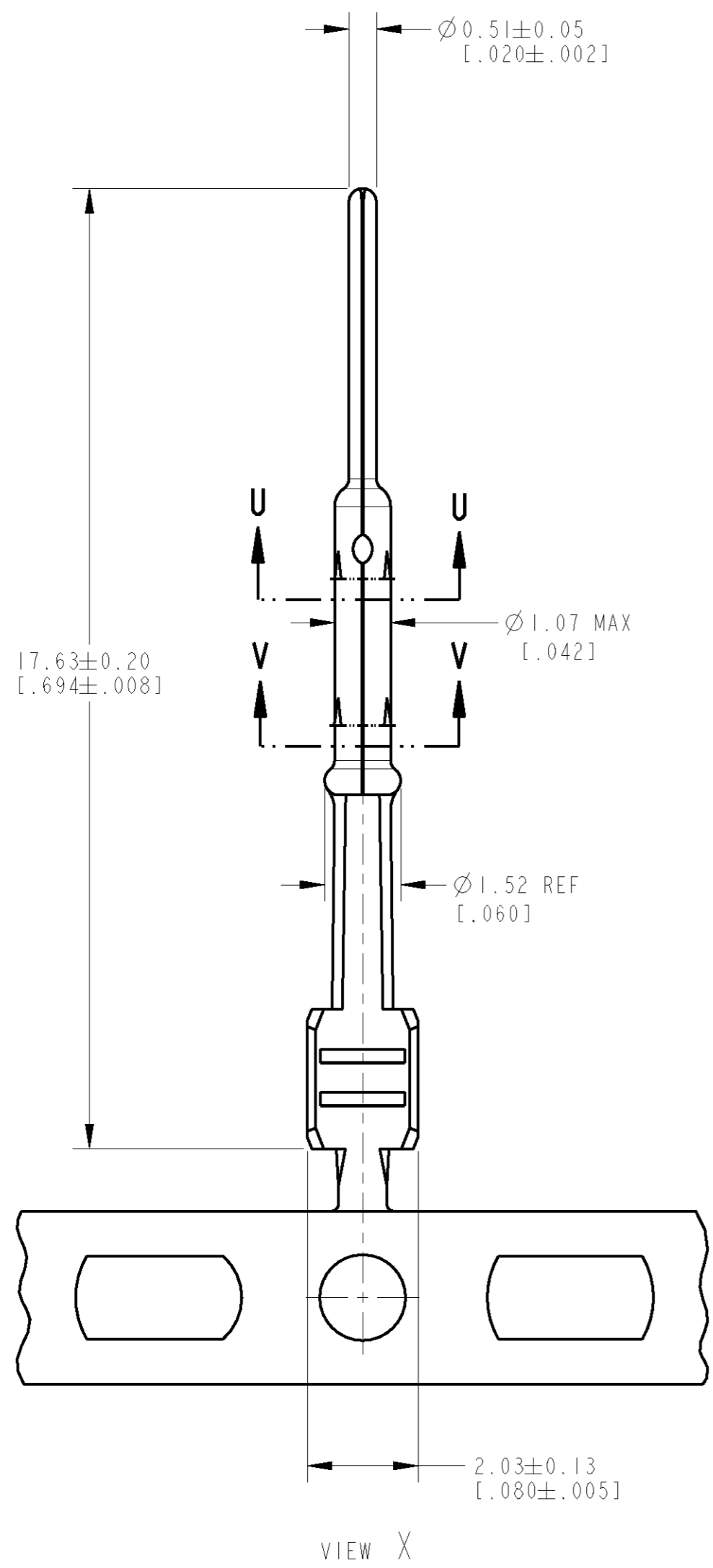
Email & Skype: info@chipsmall.com Web: www.chipsmall.com

Address: A1208, Overseas Decoration Building, #122 Zhenhua RD., Futian, Shenzhen, China



THIS DRAWING IS UNPUBLISHED. RELEASED FOR PUBLICATION 20
 © COPYRIGHT 20 BY TYCO ELECTRONICS CORPORATION. ALL RIGHTS RESERVED.

LOC	DIST	REVISIONS					
		P	LTR	DESCRIPTION	DATE	DWN	APVD
IN	00		Q	RELEASED PER EC 0K01-160-04	02NOV2004	DJH	JMR
			A	REVISED PER ECR-05-001528	27APR2005	AG	LLV
			AI	REVISED PER ECR 06-024278	22FEB2007	DLD	LLV



1.5CS-QEHV (TA), RG-62/U MODIFIED, RG-71/U MODIFIED	Y	1438808-4
RG-59/U, RG-62/U, RG-71/U	X	1438808-2
APPLICABLE CABLE SIZES	VIEW	PART NUMBER

1 BRASS.
 2 3.81µm [.000150] MIN TIN OVER 1.27µm [.000050] MIN NICKEL OR 3.81µm [.000150] MIN COPPER.

THIS DRAWING IS A CONTROLLED DOCUMENT FOR TYCO ELECTRONICS CORPORATION
 IT IS SUBJECT TO CHANGE AND THE CONTROLLING ENGINEERING ORGANIZATION
 SHOULD BE CONTACTED FOR THE LATEST REVISION.

DIMENSIONS: mm [INCHES]	TOLERANCES UNLESS OTHERWISE SPECIFIED:	DWN D. J. HARDY 17SEP2004	Tyco Electronics Harrisburg, PA 17105-3608
	0 PLC ± 1 PLC ± 2 PLC ± 3 PLC ± 4 PLC ± ANGLES ± FINISH	CHK J. W. HALL 20SEP2004	
MATERIAL 1	2	APVD J. W. HALL 20SEP2004	
PRODUCT SPEC -		APPLICATION SPEC 114-13125	NAME CENTER CONTACT, JACK, SNAP-LOCK
WEIGHT -		SCALE 10:1	RESTRICTED TO -
CUSTOMER DRAWING		SIZE A2	DRAWING NO. C-1438808
		SHEET 1	REV A1

1438808