



Chipsmall Limited consists of a professional team with an average of over 10 year of expertise in the distribution of electronic components. Based in Hongkong, we have already established firm and mutual-benefit business relationships with customers from,Europe,America and south Asia,supplying obsolete and hard-to-find components to meet their specific needs.

With the principle of “Quality Parts,Customers Priority,Honest Operation,and Considerate Service”,our business mainly focus on the distribution of electronic components. Line cards we deal with include Microchip,ALPS,ROHM,Xilinx,Pulse,ON,Everlight and Freescale. Main products comprise IC,Modules,Potentiometer,IC Socket,Relay,Connector.Our parts cover such applications as commercial,industrial, and automotives areas.

We are looking forward to setting up business relationship with you and hope to provide you with the best service and solution. Let us make a better world for our industry!



Contact us

Tel: +86-755-8981 8866 Fax: +86-755-8427 6832

Email & Skype: info@chipsmall.com Web: www.chipsmall.com

Address: A1208, Overseas Decoration Building, #122 Zhenhua RD., Futian, Shenzhen, China



4

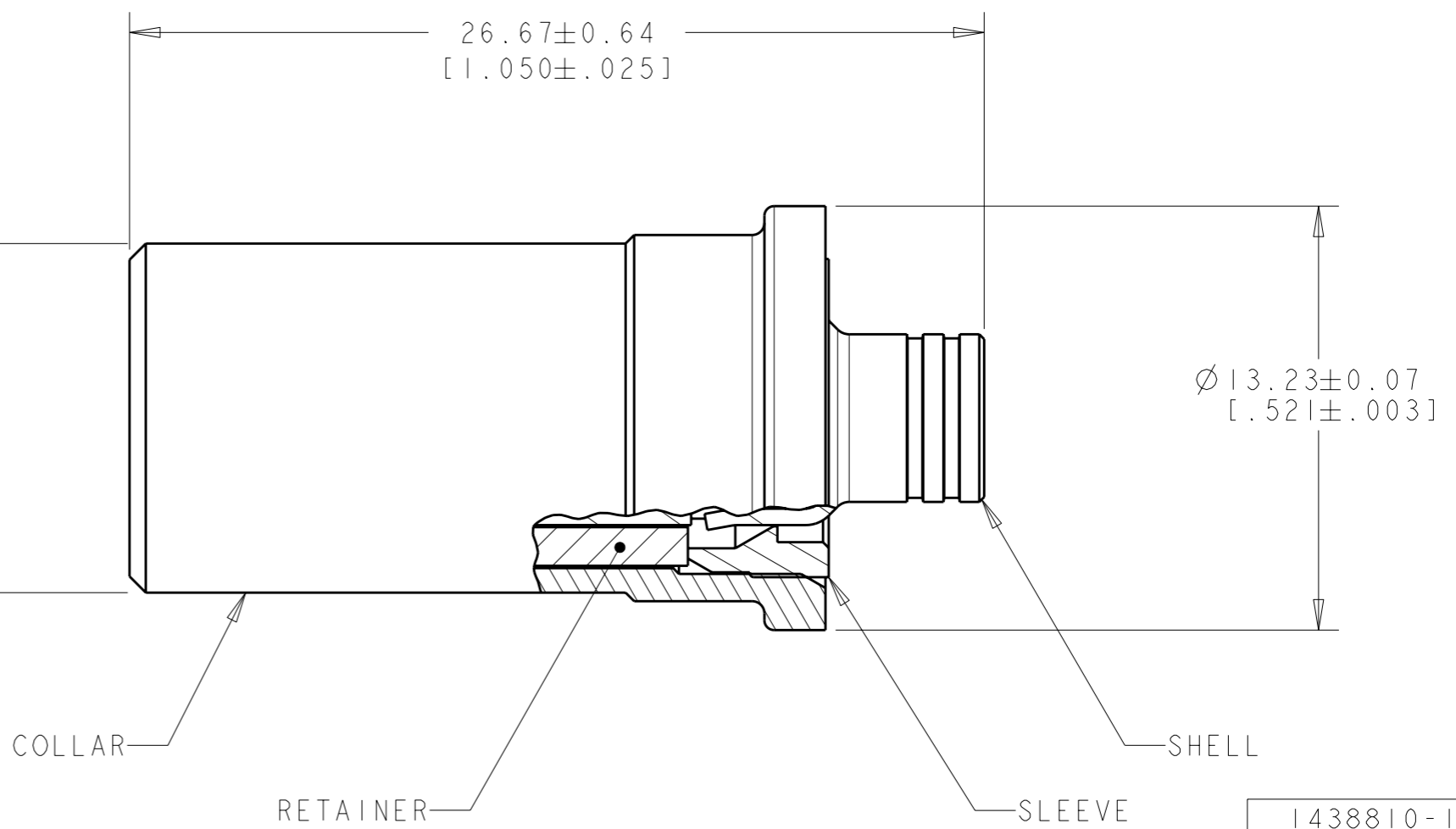
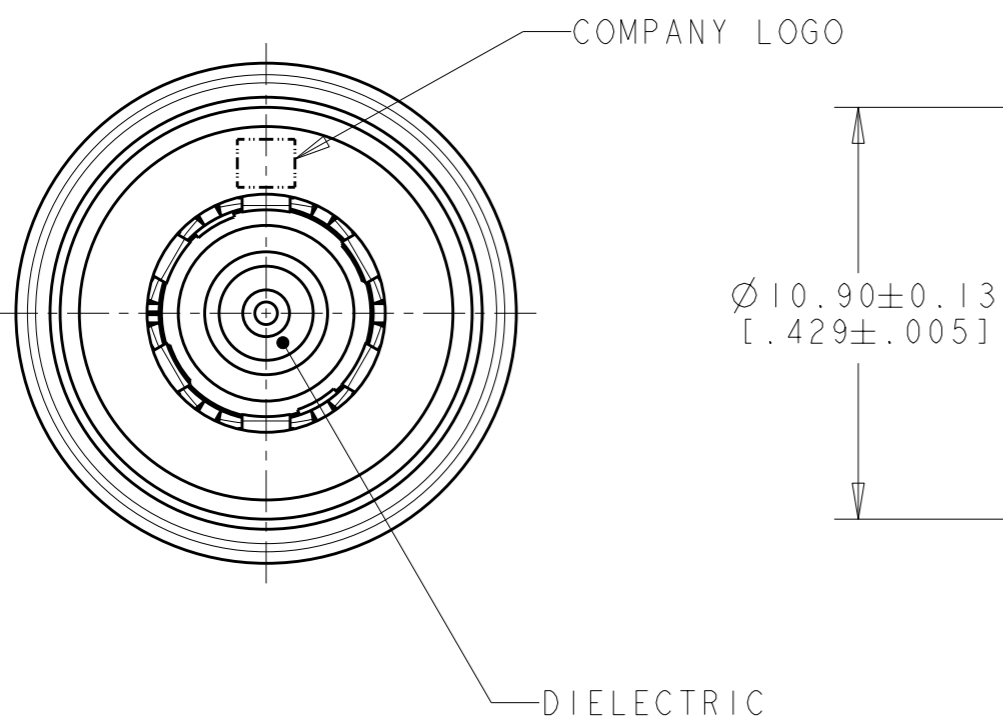
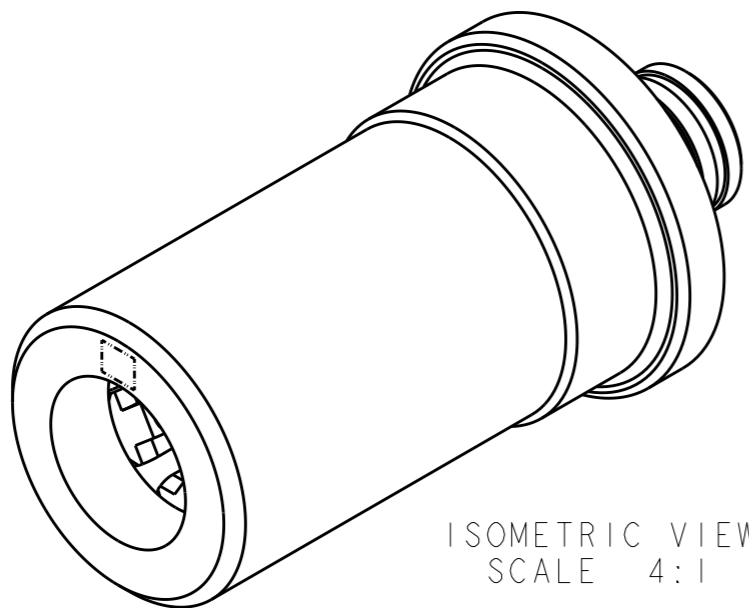
3

2

1

THIS DRAWING IS UNPUBLISHED. RELEASED FOR PUBLICATION 20
© COPYRIGHT 20 BY TYCO ELECTRONICS CORPORATION. ALL RIGHTS RESERVED.

LOC	DIST	REVISIONS					
		P	LTR	DESCRIPTION	DATE	DWN	APVD
IN	00		I	PRELIMINARY PER OK40-348-04	05OCT2004	DJH	LLV
			O	RELEASED PER EC OK40-0004-05	07JAN2005	DLD	LLV
			A	REVISED PER EC OK41-0032-05	14JAN2005	KP	LLV
			B	REVISED PER ECO-10-013915	06JUL2010	DLD	LLV



1438810-1
PART NUMBER

- 1 COLLAR, RETAINER AND SLEEVE: PBT, BLACK.
DIELECTRIC: POLYMETHYLPENTENE, NATURAL.
SHELL: PHOSPHOR BRONZE.
- 2 SHELL: 2.54 μm [.000100] MIN TIN OVER
1.27 μm [.000050] MIN NICKEL.

<small>THIS DRAWING IS A CONTROLLED DOCUMENT FOR TYCO ELECTRONICS CORPORATION IT IS SUBJECT TO CHANGE AND THE CONTROLLING ENGINEERING ORGANIZATION SHOULD BE CONTACTED FOR THE LATEST REVISION.</small>		DWN 20SEP2004 D. J. HARDY CHK 20SEP2004 J. W. HALL APVD 20SEP2004 J. W. HALL		Tyco Electronics Harrisburg, PA 17105-3608	
DIMENSIONS: mm [INCHES]		TOLERANCES UNLESS OTHERWISE SPECIFIED: 0 PLC ±- 1 PLC ±- 2 PLC ±- 3 PLC ±- 4 PLC ±- ANGLES ±-		NAME PLUG SUB-ASSEMBLY, SNAP-LOCK	
		MATERIAL 1		FINISH 2	
CUSTOMER DRAWING		WEIGHT -		PRODUCT SPEC - APPLICATION SPEC -	
SCALE 5:1		SIZE A3 CAGE CODE 00779 DRAWING NO C-1438810		RESTRICTED TO -	
SHEET 1 OF 1		REV B		REV B	