



Chipsmall Limited consists of a professional team with an average of over 10 year of expertise in the distribution of electronic components. Based in Hongkong, we have already established firm and mutual-benefit business relationships with customers from,Europe,America and south Asia,supplying obsolete and hard-to-find components to meet their specific needs.

With the principle of “Quality Parts,Customers Priority,Honest Operation,and Considerate Service”,our business mainly focus on the distribution of electronic components. Line cards we deal with include Microchip,ALPS,ROHM,Xilinx,Pulse,ON,Everlight and Freescale. Main products comprise IC,Modules,Potentiometer,IC Socket,Relay,Connector.Our parts cover such applications as commercial,industrial, and automotives areas.

We are looking forward to setting up business relationship with you and hope to provide you with the best service and solution. Let us make a better world for our industry!



Contact us

Tel: +86-755-8981 8866 Fax: +86-755-8427 6832

Email & Skype: info@chipsmall.com Web: www.chipsmall.com

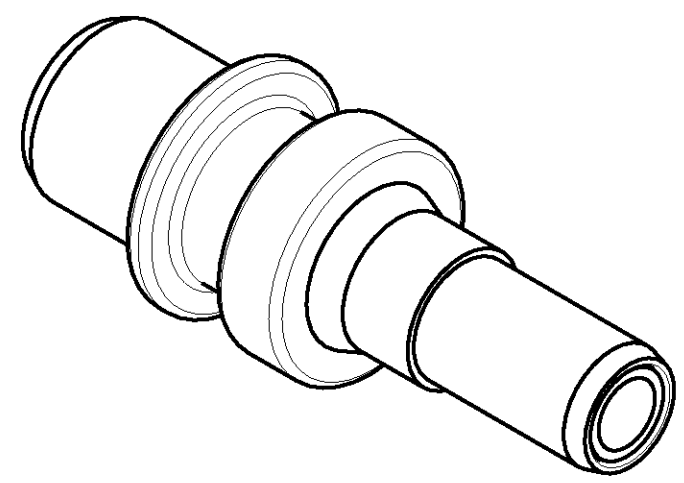
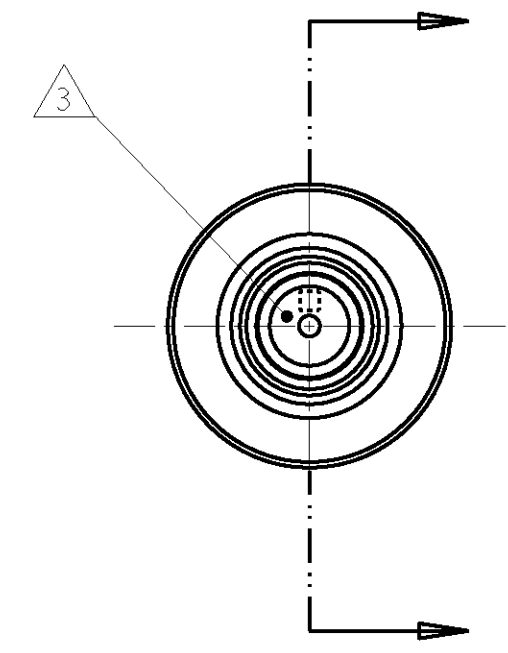
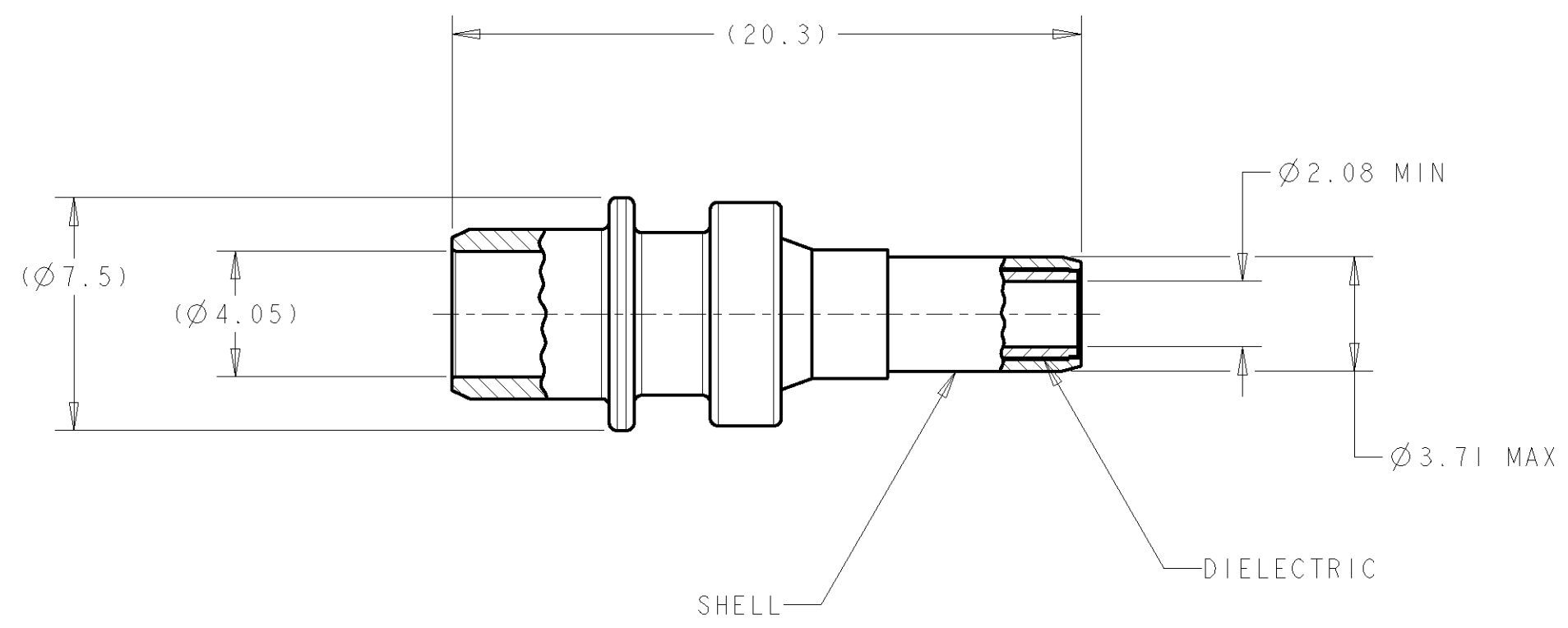
Address: A1208, Overseas Decoration Building, #122 Zhenhua RD., Futian, Shenzhen, China



THIS DRAWING IS UNPUBLISHED. RELEASED FOR PUBLICATION 20
 © COPYRIGHT 20 BY TYCO ELECTRONICS CORPORATION. ALL RIGHTS RESERVED.

LOC	DIST	REVISIONS			
P	LTR	DESCRIPTION	DATE	DWN	APVD
IN	00	A	INITIAL RELEASE	05JAN2006	DJH JWH
		B	REVISED PER ECR 06-023043	06OCT2006	DLD LLV

- 1 SHELL: ZINC.
DIELECTRIC: POLYESTER PBT, CURRY.
- 2 SHELL: 2.0µm MIN TIN OVER 1.25µm MIN NICKEL, BOTH OVER 5.08µm MIN COPPER.
- 3 JACK SUBASSEMBLY INTERFACE PER DIN 72594-1,
ROAD VEHICLES - RADIO FREQUENCY INTERFACE - DIMENSIONS AND ELECTRICAL REQUIREMENTS.
- 4. SEE INSTRUCTION SHEET 408-10028.



ISOMETRIC VIEW

1438889-1
PART NUMBER

<small>THIS DRAWING IS A CONTROLLED DOCUMENT FOR TYCO ELECTRONICS CORPORATION IT IS SUBJECT TO CHANGE AND THE CONTROLLING ENGINEERING ORGANIZATION SHOULD BE CONTACTED FOR THE LATEST REVISION.</small>		DWN D. J. HARDY 05JAN2006 CHK J. W. HALL 05JAN2006 APVD J. W. HALL 05JAN2006		tyco Tyco Electronics Electronics Harrisburg, PA 17105-3608	
DIMENSIONS: mm		TOLERANCES UNLESS OTHERWISE SPECIFIED: 0 PLC ±- 1 PLC ±- 2 PLC ±- 3 PLC ±- 4 PLC ±- ANGLES ±-		NAME JACK SUBASSEMBLY, RG-59, RG-62, RG-62U/M, RG-71 OR RG-71U/M, SMB	
MATERIAL 1		FINISH 2		PRODUCT SPEC - APPLICATION SPEC 114-13157 WEIGHT -	
		CUSTOMER DRAWING		SIZE A3 CAGE CODE 00779 DRAWING NO C=1438889 RESTRICTED TO - SCALE 5:1 SHEET 1 OF 1 REV B	