



Chipsmall Limited consists of a professional team with an average of over 10 year of expertise in the distribution of electronic components. Based in Hongkong, we have already established firm and mutual-benefit business relationships with customers from,Europe,America and south Asia,supplying obsolete and hard-to-find components to meet their specific needs.

With the principle of “Quality Parts,Customers Priority,Honest Operation,and Considerate Service”,our business mainly focus on the distribution of electronic components. Line cards we deal with include Microchip,ALPS,ROHM,Xilinx,Pulse,ON,Everlight and Freescale. Main products comprise IC,Modules,Potentiometer,IC Socket,Relay,Connector.Our parts cover such applications as commercial,industrial, and automotives areas.

We are looking forward to setting up business relationship with you and hope to provide you with the best service and solution. Let us make a better world for our industry!



Contact us

Tel: +86-755-8981 8866 Fax: +86-755-8427 6832

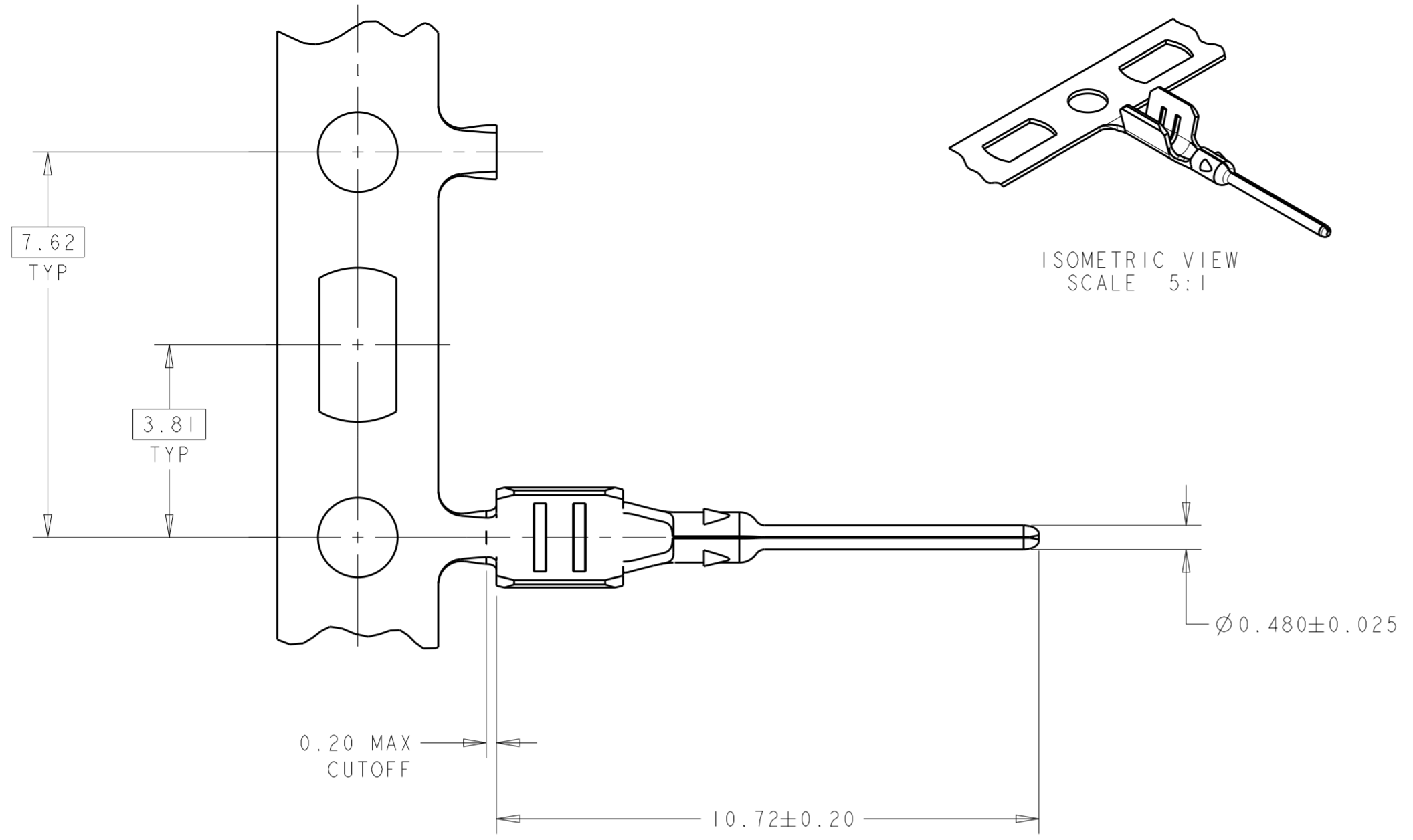
Email & Skype: info@chipsmall.com Web: www.chipsmall.com

Address: A1208, Overseas Decoration Building, #122 Zhenhua RD., Futian, Shenzhen, China

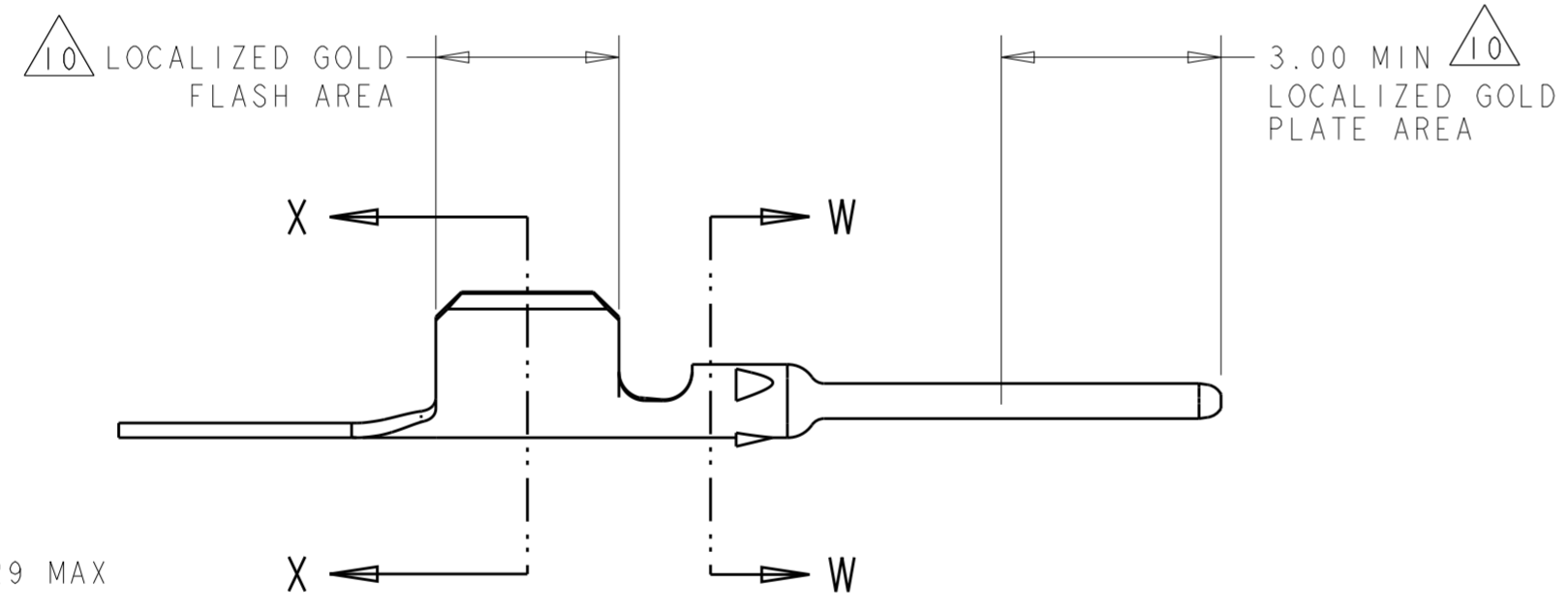
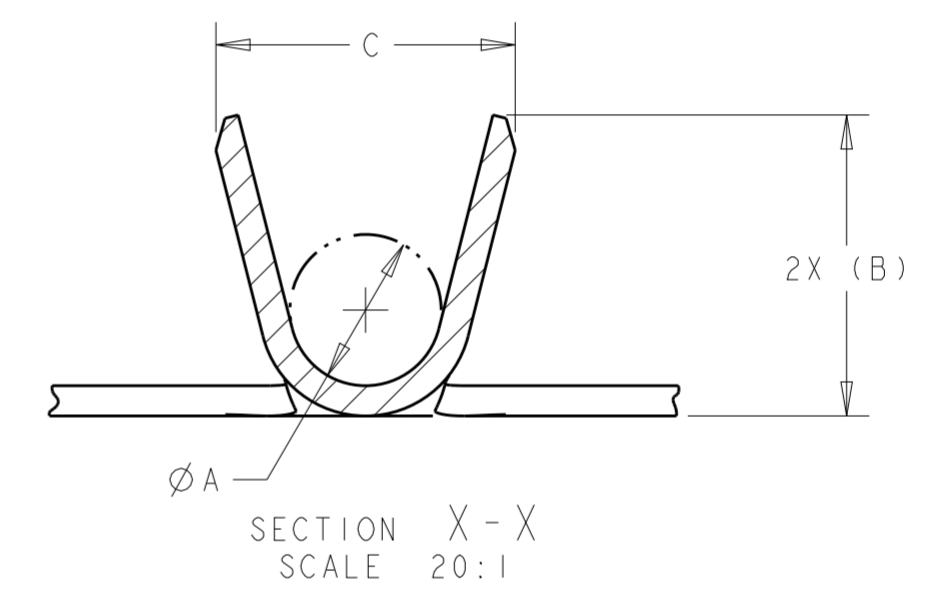


THIS DRAWING IS UNPUBLISHED. RELEASED FOR PUBLICATION 20
 © COPYRIGHT 20 BY - ALL RIGHTS RESERVED.

LOC	DIST	REVISIONS			
P	LTR	DESCRIPTION	DATE	DWN	APVD
	D3	ECO-13-005286	28MAR2013	KP	LV

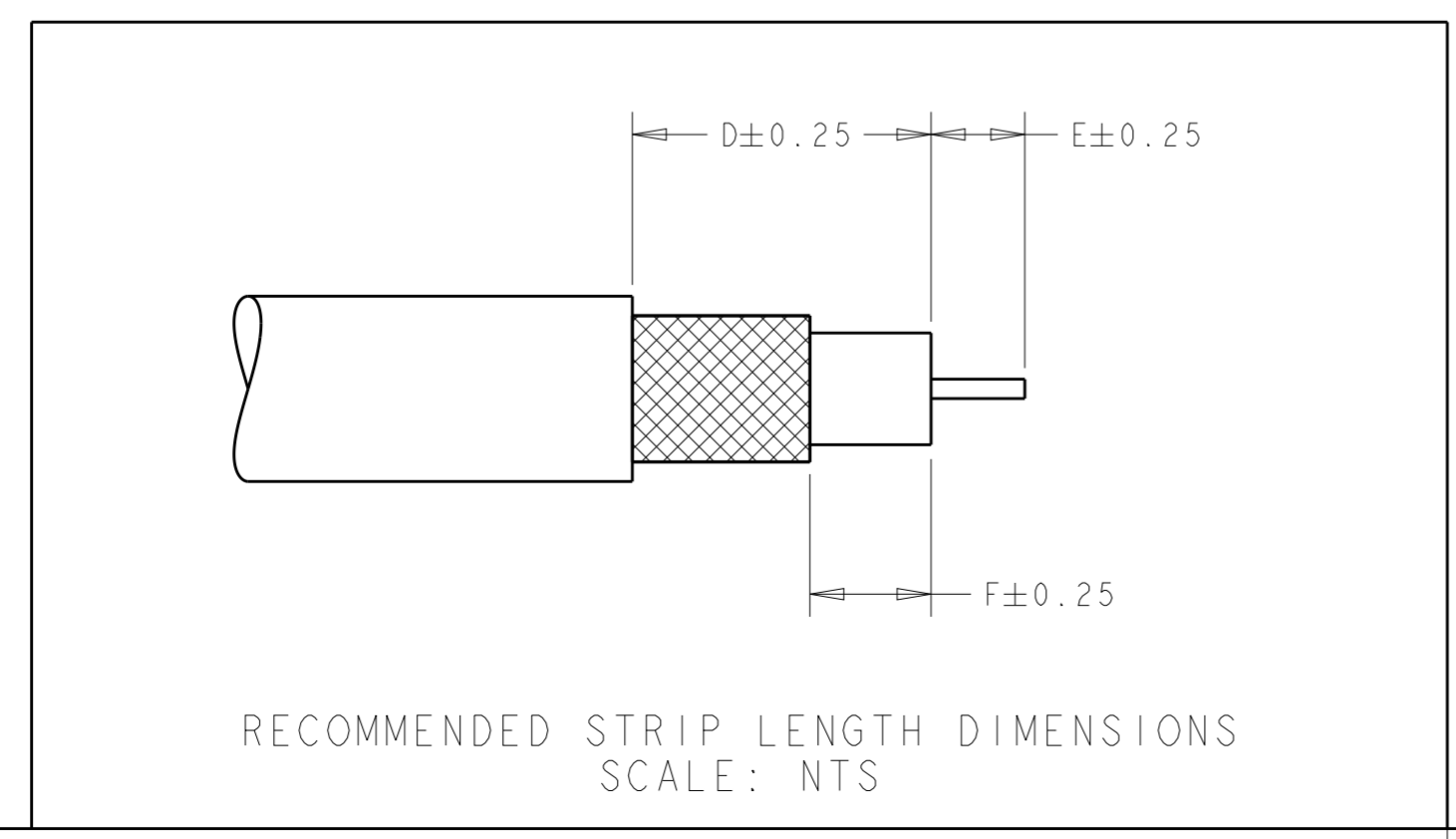


- 1 BRASS.
- 2 NOTE DELETED.
- 3 CRIMP PIN CONTACT USING APPLICATOR PART NUMBER 1385456-3.
- 4 CRIMP PIN CONTACT USING APPLICATOR PART NUMBER 1385675-3.
- 5 NOTE DELETED.
- 6 CRIMP PIN CONTACT USING APPLICATOR PART NUMBER 680900-1 OR 1385623-3-A.
- 7 CRIMP PIN CONTACT USING APPLICATOR PART NUMBER 680901-1 OR 1385624-3.
- 8 NOTE DELETED.
- 9. PIN CONTACT WILL ACCEPT COAXIAL CABLE: SEE TABLE.
- 10 0.76 μm MIN GOLD IN LOCALIZED GOLD PLATE AREA, GOLD FLASH IN LOCALIZED GOLD FLASH AREA, BOTH OVER 2.0 μm MIN NICKEL. GOLD FLASH ALLOWABLE ON ENTIRE PART.



SECTION W-W SCALE 20:1

4.02	3.11	9.91	1.30	1.22	0.38	RG-179	7	1438890-9	10
3.58	3.55	9.47	1.30	1.22	0.38	RG-62U/M, RG-71U/M	7		
3.58	3.55	9.47	2.03	1.73	0.76	RG-62, RG-71	6		
4.02	3.11	9.91	2.03	1.73	0.76	RG-59, 59 MINI	6	1438890-8	10
4.02	3.11	9.91	2.03	1.73	0.76	RG-174 LL, 1.5D-2VS	4		
4.02	3.11	9.91	2.03	1.73	0.76	RG-316, RG-174	4		
4.02	3.11	9.91	1.98	1.99	1.00	RTK031	6	1438890-7	10
4.02	3.11	9.91	1.98	1.99	1.00	RG-58, RG-58 LL	3		
F	E	D	C	B	A	APPLICABLE CABLE SIZE		PART NUMBER	



THIS DRAWING IS A CONTROLLED DOCUMENT.

DWN: D. J. HARDY 04 JAN 2005
 CHK: J. W. HALL 13 JAN 2005
 APVD: J. W. HALL 13 JAN 2005

STE TE Connectivity

NAME: PIN CONTACT, JACK, SMB

SIZE: A2 CAGE CODE: 00779 DRAWING NO: 1438890 RESTRICTED TO: -

MATERIAL: 1 - FINISH: -

PRODUCT SPEC: -
 APPLICATION SPEC: 114-13157
 WEIGHT: -

CUSTOMER DRAWING SCALE: 10:1 SHEET: 1 OF 1 REV: D3