



Chipsmall Limited consists of a professional team with an average of over 10 year of expertise in the distribution of electronic components. Based in Hongkong, we have already established firm and mutual-benefit business relationships with customers from,Europe,America and south Asia,supplying obsolete and hard-to-find components to meet their specific needs.

With the principle of "Quality Parts,Customers Priority,Honest Operation,and Considerate Service",our business mainly focus on the distribution of electronic components. Line cards we deal with include Microchip,ALPS,ROHM,Xilinx,Pulse,ON,Everlight and Freescale. Main products comprise IC,Modules,Potentiometer,IC Socket,Relay,Connector.Our parts cover such applications as commercial,industrial, and automotives areas.

We are looking forward to setting up business relationship with you and hope to provide you with the best service and solution. Let us make a better world for our industry!



## Contact us

Tel: +86-755-8981 8866 Fax: +86-755-8427 6832

Email & Skype: info@chipsmall.com Web: www.chipsmall.com

Address: A1208, Overseas Decoration Building, #122 Zhenhua RD., Futian, Shenzhen, China

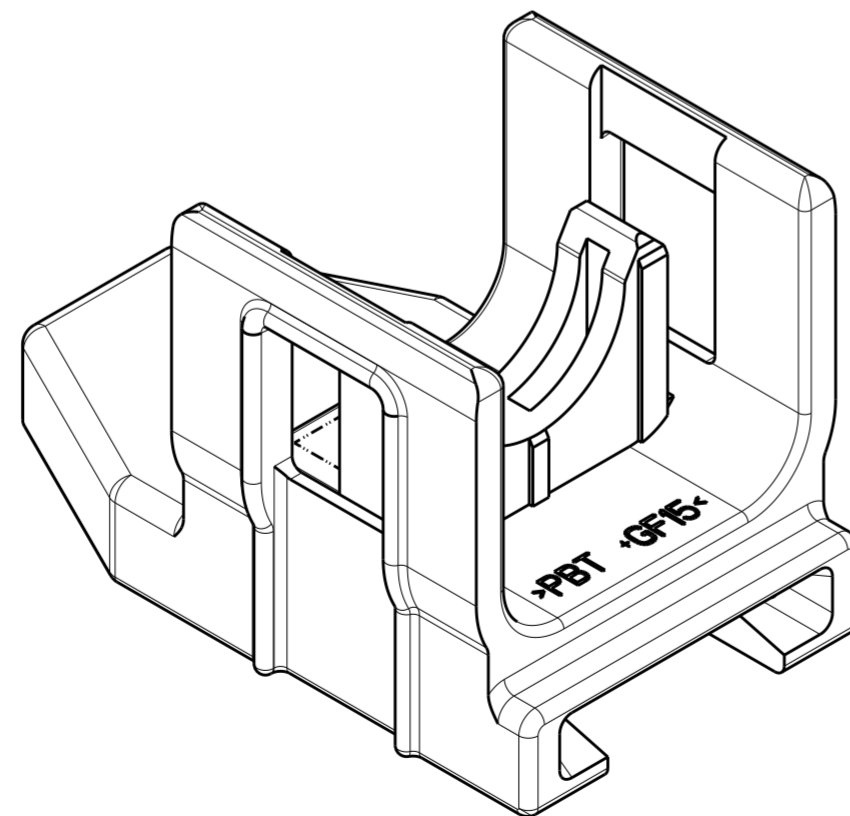
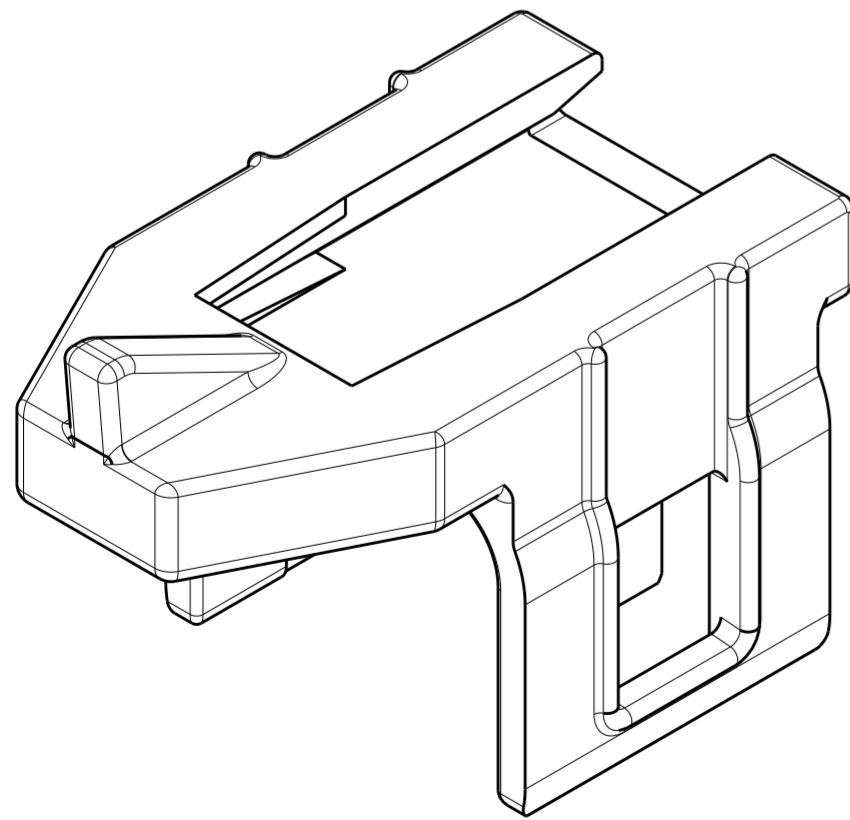
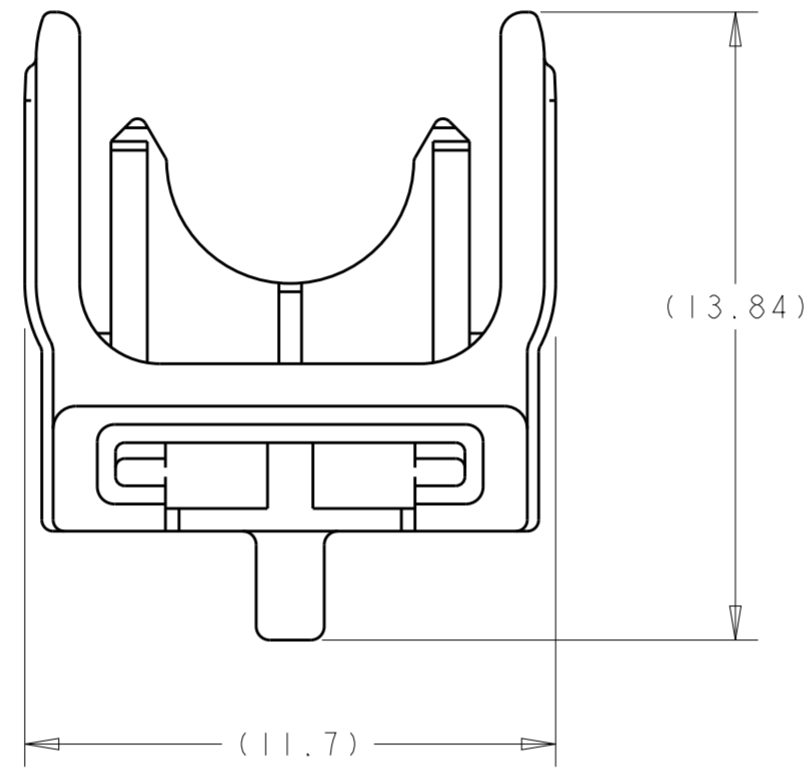
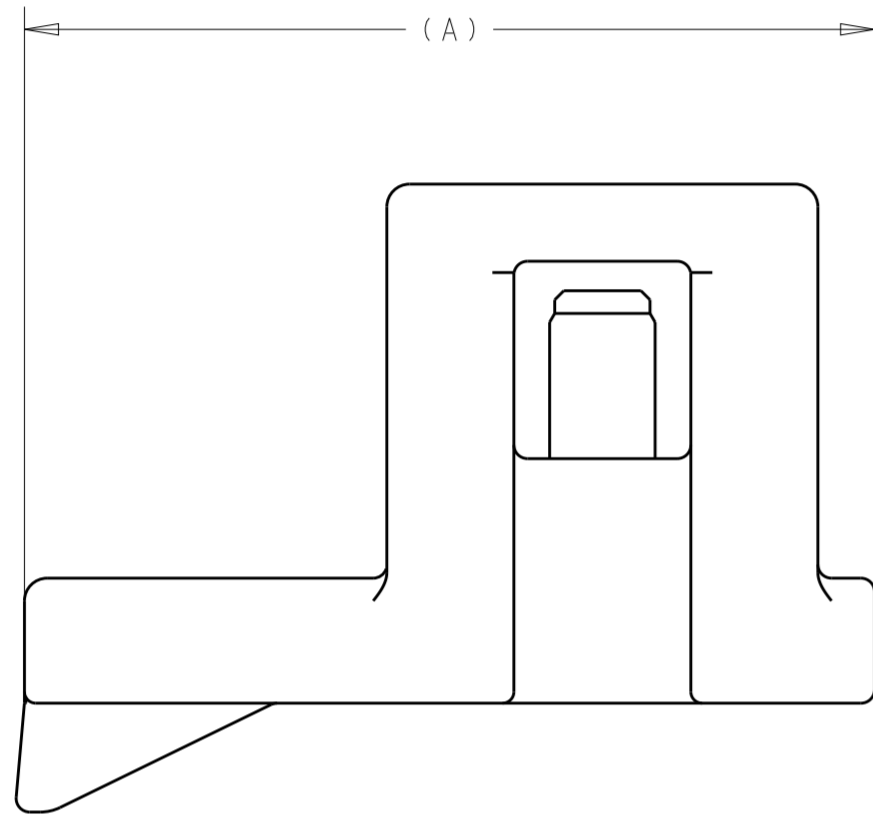


THIS DRAWING IS UNPUBLISHED. RELEASED FOR PUBLICATION 20  
 © COPYRIGHT 20 BY - ALL RIGHTS RESERVED.

REVISIONS				
P	LTR	DESCRIPTION	DATE	APVD
	C1	ECO-15-003845	11MAR2015	KP LV

1. POLYESTER PBT, GRAY.


2. SEE INSTRUCTION SHEET 408-10028.



ISOMETRIC VIEW

	18.74	1438894-2
	19.95	1438894-1
	DIMENSION A	PART NUMBER

**OBsolete**

THIS DRAWING IS A CONTROLLED DOCUMENT.		DWN D. J. HARDY 05 JAN 2006	 TE Connectivity	
DIMENSIONS:		CHK J. W. HALL 05 JAN 2006		
mm	TOLERANCES UNLESS OTHERWISE SPECIFIED:	APVD J. W. HALL 05 JAN 2006	NAME LOCK, 1 POSITION, WITH BODY CLIP SLOT, FAKRA, SMB	
	0 PLC ±	PRODUCT SPEC	RESTRICTED TO	
	1 PLC ±	APPLICATION SPEC	SIZE	CAGE CODE
	2 PLC ±	114-13157	A2	00779
	3 PLC ±	WEIGHT	DRAWING NO C-1438894	
	4 PLC ±	CUSTOMER DRAWING	SCALE	SHEET
	ANGLES ±		6:1	OF
	FINISH			REV
MATERIAL	TBD			C1