



Chipsmall Limited consists of a professional team with an average of over 10 year of expertise in the distribution of electronic components. Based in Hongkong, we have already established firm and mutual-benefit business relationships with customers from,Europe,America and south Asia,supplying obsolete and hard-to-find components to meet their specific needs.

With the principle of “Quality Parts,Customers Priority,Honest Operation,and Considerate Service”,our business mainly focus on the distribution of electronic components. Line cards we deal with include Microchip,ALPS,ROHM,Xilinx,Pulse,ON,Everlight and Freescale. Main products comprise IC,Modules,Potentiometer,IC Socket,Relay,Connector.Our parts cover such applications as commercial,industrial, and automotives areas.

We are looking forward to setting up business relationship with you and hope to provide you with the best service and solution. Let us make a better world for our industry!



Contact us

Tel: +86-755-8981 8866 Fax: +86-755-8427 6832

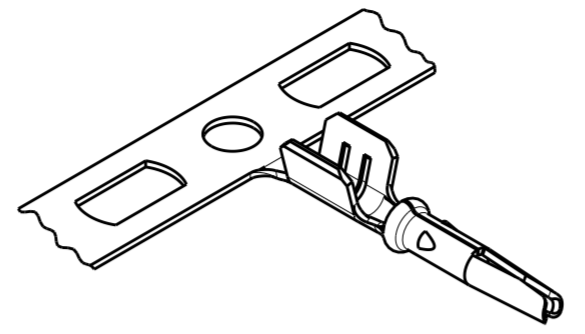
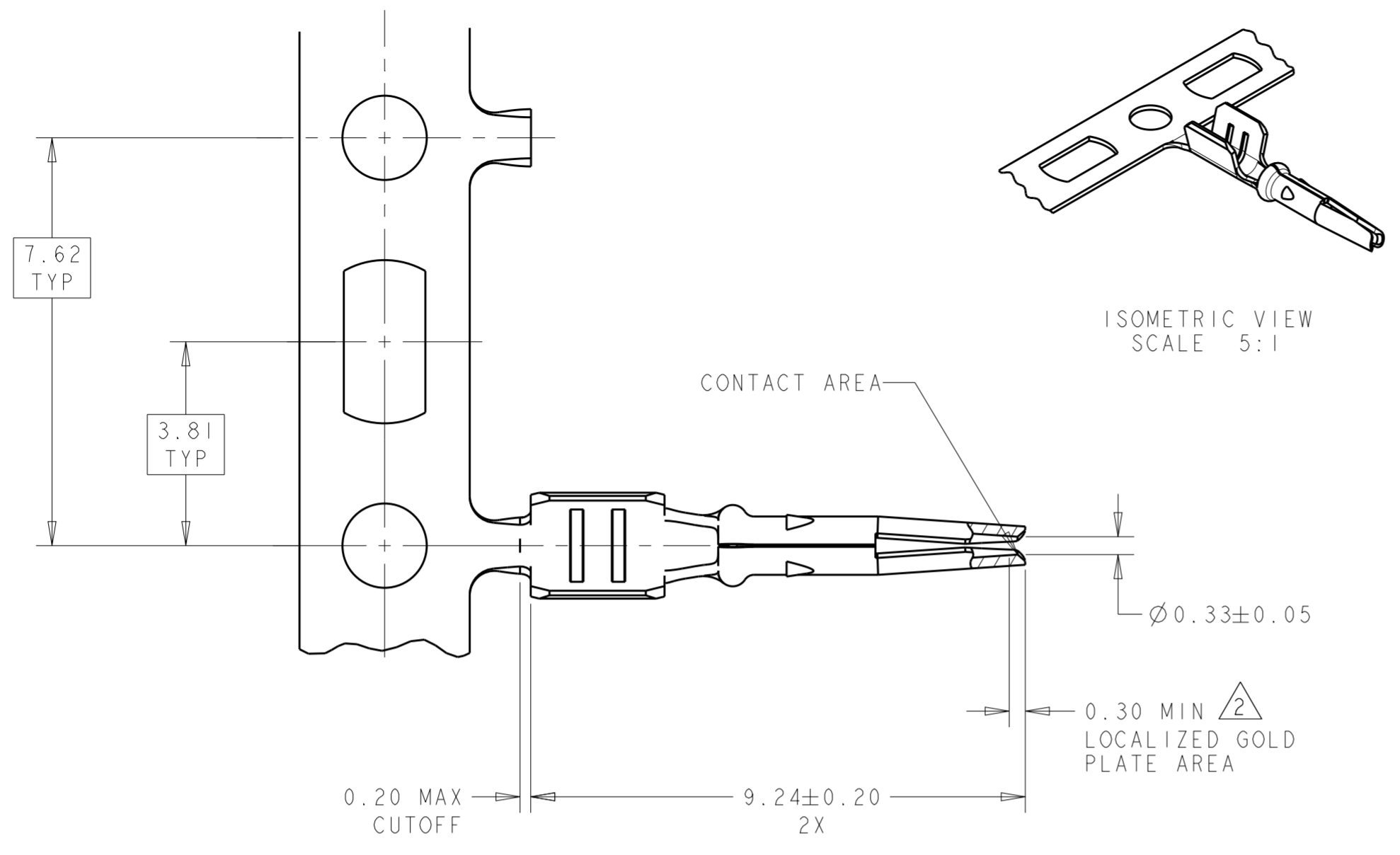
Email & Skype: info@chipsmall.com Web: www.chipsmall.com

Address: A1208, Overseas Decoration Building, #122 Zhenhua RD., Futian, Shenzhen, China

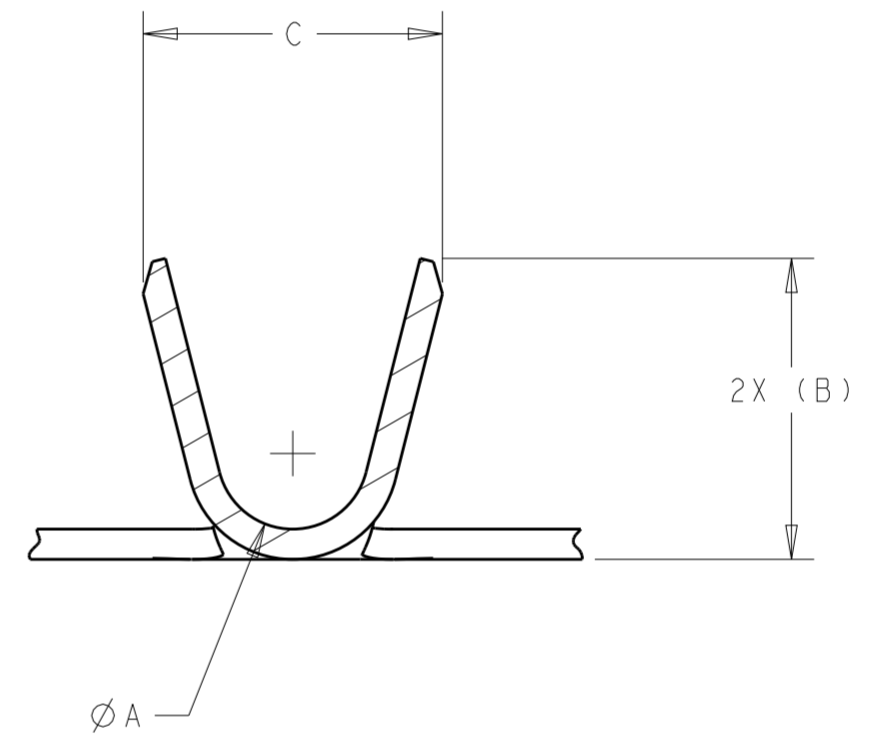


THIS DRAWING IS UNPUBLISHED. RELEASED FOR PUBLICATION 20
 © COPYRIGHT 20 BY - ALL RIGHTS RESERVED.

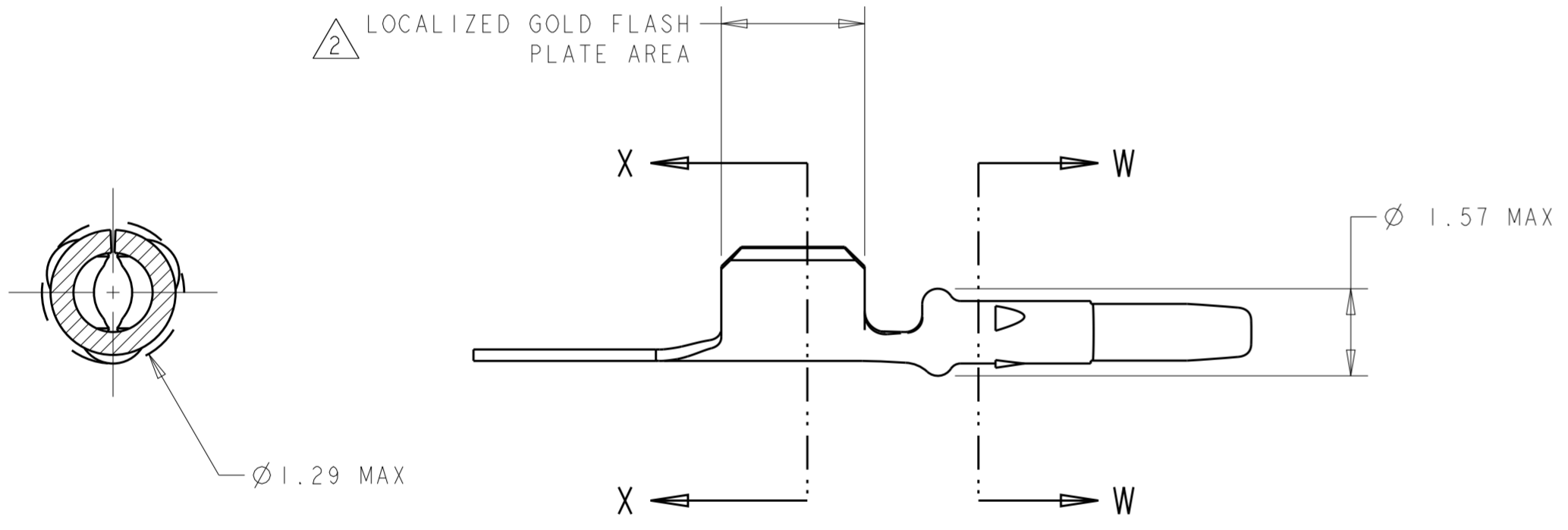
REVISIONS					
P	LTR	DESCRIPTION	DATE	DWN	APVD
D3		REVISED PER ECO-13-005286	28MAR2013	KP	LV
D4		REVISED PER ECO-15-017776	10MAR2016	DD	LV



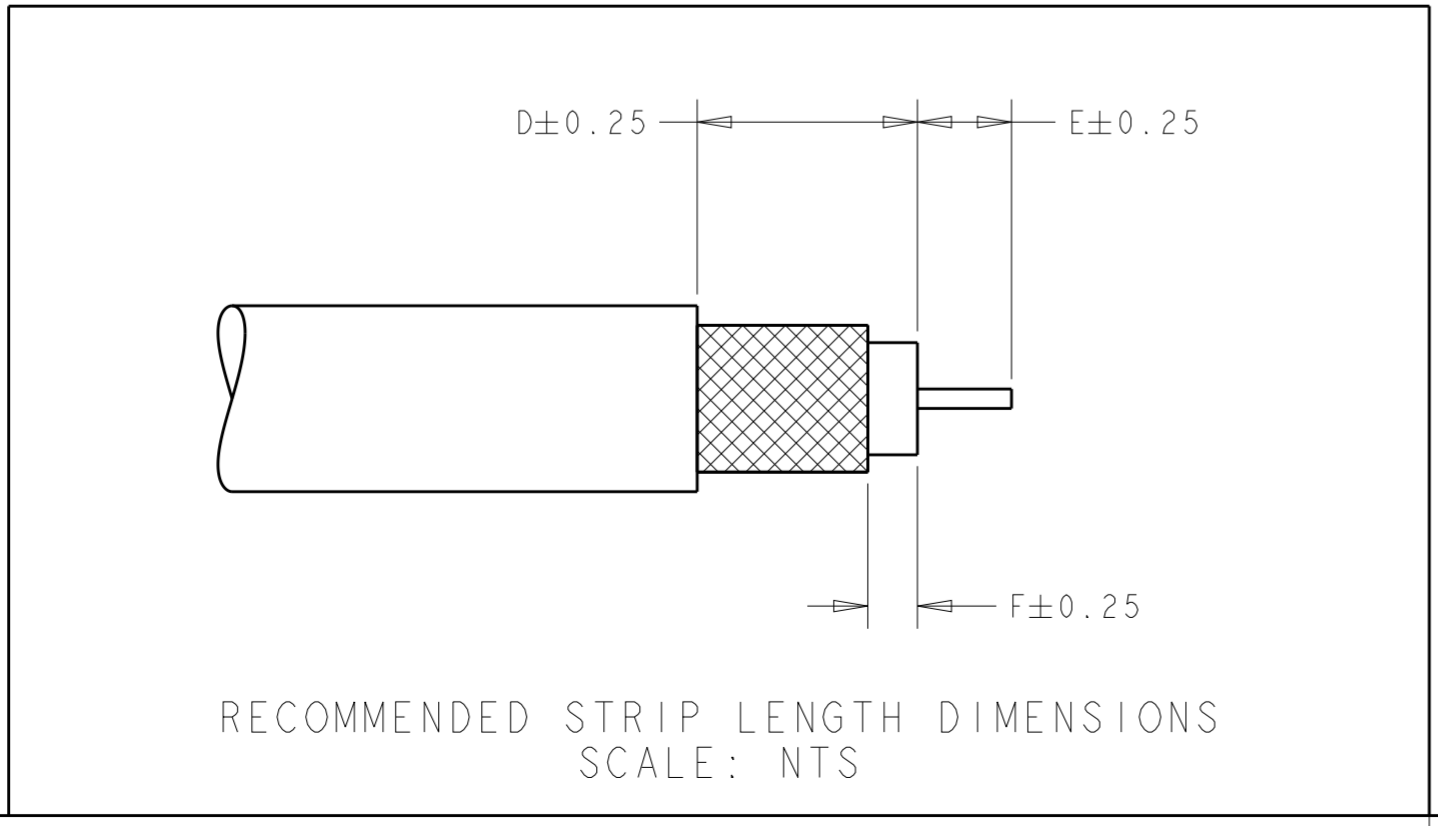
- 1 PHOSPHOR BRONZE.
- 2 0.76µm MIN GOLD IN LOCALIZED GOLD PLATE AREA, GOLD FLASH IN LOCALIZED GOLD FLASH PLATE AREA, BOTH OVER 2.0µm MIN NICKEL. GOLD FLASH ALLOWABLE ON ENTIRE PART.
- 3 CRIMP SOCKET CONTACT USING APPLICATOR PART NUMBER 1385456-3.
- 4 CRIMP SOCKET CONTACT USING APPLICATOR PART NUMBER 1385675-3.
- 5 NOTE DELETED.
- 6 CRIMP SOCKET CONTACT USING APPLICATOR PART NUMBER 680900-1 OR 1385623-3-A.
- 7 CRIMP SOCKET CONTACT USING APPLICATOR PART NUMBER 680901-1 OR 1385624-3.
- 8 NOTE DELETED.
- 9. SOCKET CONTACT WILL ACCEPT COAXIAL CABLE: SEE TABLE.



SECTION X-X
SCALE 20:1



SECTION W-W
SCALE 20:1



RECOMMENDED STRIP LENGTH DIMENSIONS
SCALE: NTS

1.20	3.55	6.84	2.03	1.73	0.76	RG-62, RG-71	6	1438896-4
1.64	3.11	7.28	2.03	1.73	0.76	RG-59, 59 MINI	6	
1.64	3.11	7.28	2.03	1.73	0.76	RG-174 LL, 1.5D-2VS	4	
1.64	3.11	7.28	2.03	1.73	0.76	RG-174	4	
F	E	D	C	B	A	APPLICABLE CABLE SIZE		PART NUMBER

THIS DRAWING IS A CONTROLLED DOCUMENT.

DWN: D. J. HARDY 04 JAN 2005
 CHK: J. W. HALL 14 JAN 2005
 APVD: J. W. HALL 14 JAN 2005

STE TE Connectivity

NAME: SOCKET CONTACT, PLUG, SMB

SIZE: A2 CAGE CODE: 00779 DRAWING NO: C-1438896 RESTRICTED TO: -

MATERIAL: 1 TOLERANCES UNLESS OTHERWISE SPECIFIED: 2

0 PLC ±
 1 PLC ±
 2 PLC ±0.10
 3 PLC ±
 4 PLC ±
 ANGLES ±
 FINISH ±

APPLICATION SPEC: 114-13157
 WEIGHT: -
 CUSTOMER DRAWING

SCALE: 10:1 SHEET: 1 OF 1 REV: D4