



Chipsmall Limited consists of a professional team with an average of over 10 year of expertise in the distribution of electronic components. Based in Hongkong, we have already established firm and mutual-benefit business relationships with customers from,Europe,America and south Asia,supplying obsolete and hard-to-find components to meet their specific needs.

With the principle of “Quality Parts,Customers Priority,Honest Operation,and Considerate Service”,our business mainly focus on the distribution of electronic components. Line cards we deal with include Microchip,ALPS,ROHM,Xilinx,Pulse,ON,Everlight and Freescale. Main products comprise IC,Modules,Potentiometer,IC Socket,Relay,Connector.Our parts cover such applications as commercial,industrial, and automotives areas.

We are looking forward to setting up business relationship with you and hope to provide you with the best service and solution. Let us make a better world for our industry!



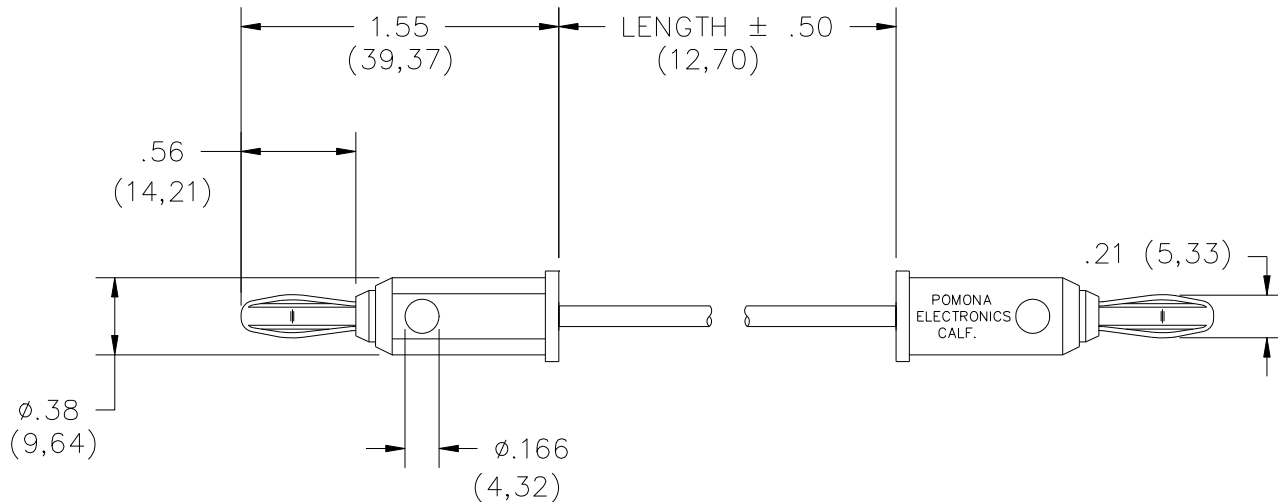
## Contact us

Tel: +86-755-8981 8866 Fax: +86-755-8427 6832

Email & Skype: info@chipsmall.com Web: www.chipsmall.com

Address: A1208, Overseas Decoration Building, #122 Zhenhua RD., Futian, Shenzhen, China





### FEATURES:

- Cross Stacking Banana Plugs
- Mates to Model #1581, 2854 or any standard Banana jack.
- Ideal for providing jumpers or chassis boxes.

### MATERIALS:

Conn: Banana Plug

Material: Spring, Beryllium Copper Berylco 25, per QQ-C-533, Cond. H.T.

Plug Body: Brass, per QQ-B-626, Alloy 360, ½ Hard.

Finish: Nickel plated per QQ-N-290 Class 2 (.0002/.0003).

Insulation: Polypropylene molded to plug body and wire.

Color: Matches color of wire.

Marking: "POMONA ELECTRONICS, CALIF."

Wire: 18 AWG, stranding 65 x 36 t.c., PVC insulated.

Marking: "POMONA 1440-XX"

### RATINGS: (Entire Assembly)

Operating Voltage: Hand-held testing: 30VAC/60VDC Max.

Hands free testing in controlled voltage environments: 5000 WVDC Max.

Operating Temperature: +55°C. (+131°) Max.

Current: 15 Amperes Cont. Contact Res.: Less than .001Ohms per Banana Plug

### ORDERING INFORMATION: Model 1440-XX-\*

XX – Cable Lengths, Standard Lengths: 12" (305), 18" (457), 24" (610), 36" (914), 48" (1219) & 60" (1524).

\*= Color, -0 Black, -2 Red. Ordering Example: 1440-60-2 Indicates 60" in length, color is Red.

Additional lengths and colors can be quoted upon request.

All dimensions are in inches. Tolerances (except noted): .xx = ±.02" (.51 mm), .xxx = ± .005" (.127 mm).

All specifications are to the latest revisions. Specifications are subject to change without notice.

Registered trademarks are the property of their respective companies. Made in USA