



Chipsmall Limited consists of a professional team with an average of over 10 year of expertise in the distribution of electronic components. Based in Hongkong, we have already established firm and mutual-benefit business relationships with customers from,Europe,America and south Asia,supplying obsolete and hard-to-find components to meet their specific needs.

With the principle of “Quality Parts,Customers Priority,Honest Operation,and Considerate Service”,our business mainly focus on the distribution of electronic components. Line cards we deal with include Microchip,ALPS,ROHM,Xilinx,Pulse,ON,Everlight and Freescale. Main products comprise IC,Modules,Potentiometer,IC Socket,Relay,Connector.Our parts cover such applications as commercial,industrial, and automotives areas.

We are looking forward to setting up business relationship with you and hope to provide you with the best service and solution. Let us make a better world for our industry!



Contact us

Tel: +86-755-8981 8866 Fax: +86-755-8427 6832

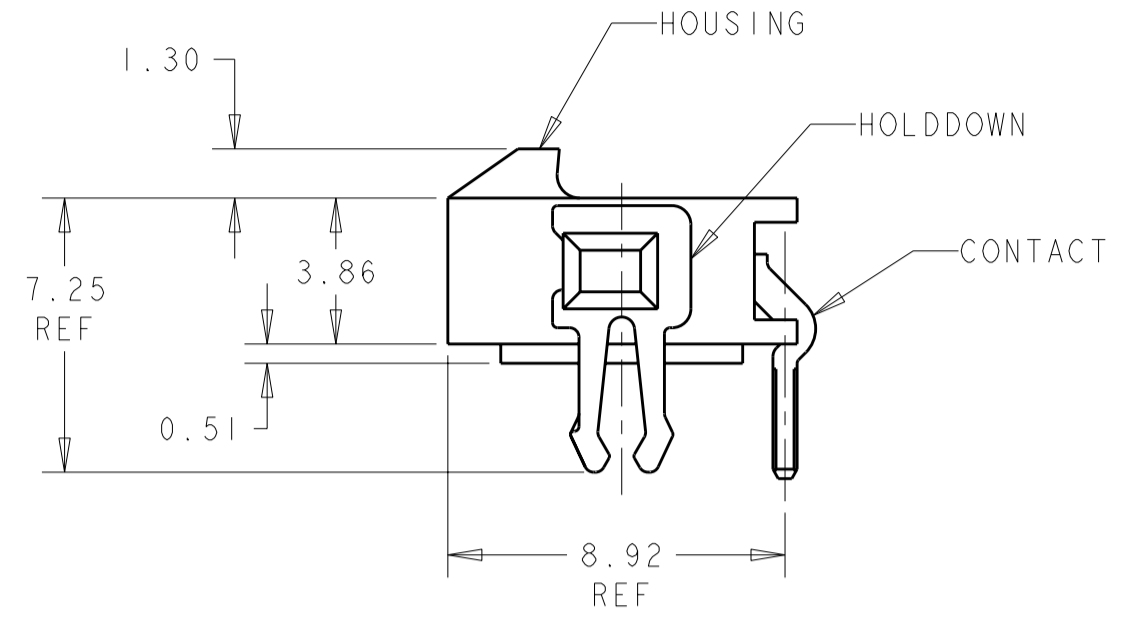
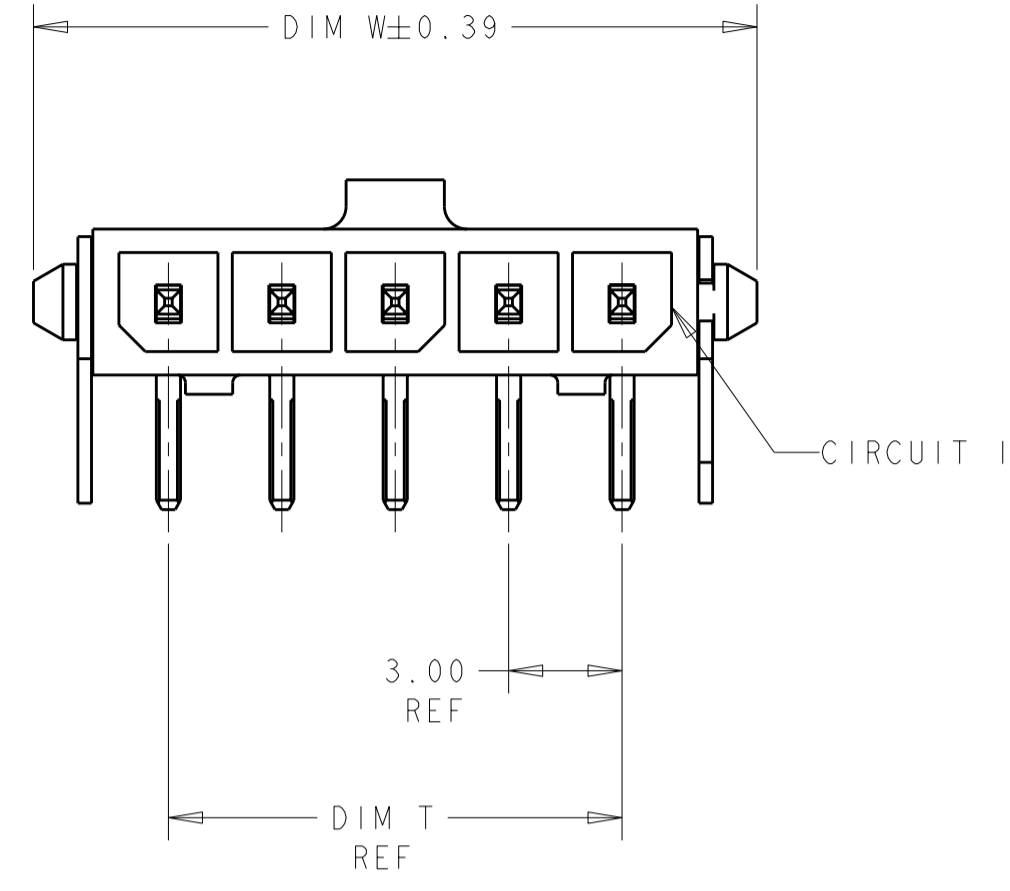
Email & Skype: info@chipsmall.com Web: www.chipsmall.com

Address: A1208, Overseas Decoration Building, #122 Zhenhua RD., Futian, Shenzhen, China

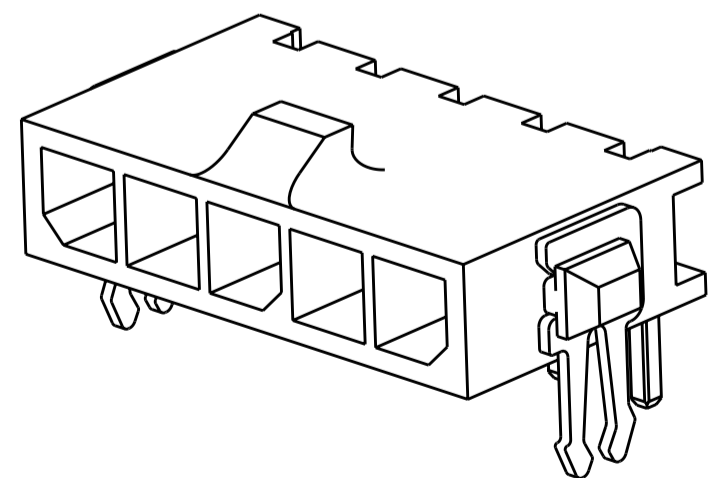
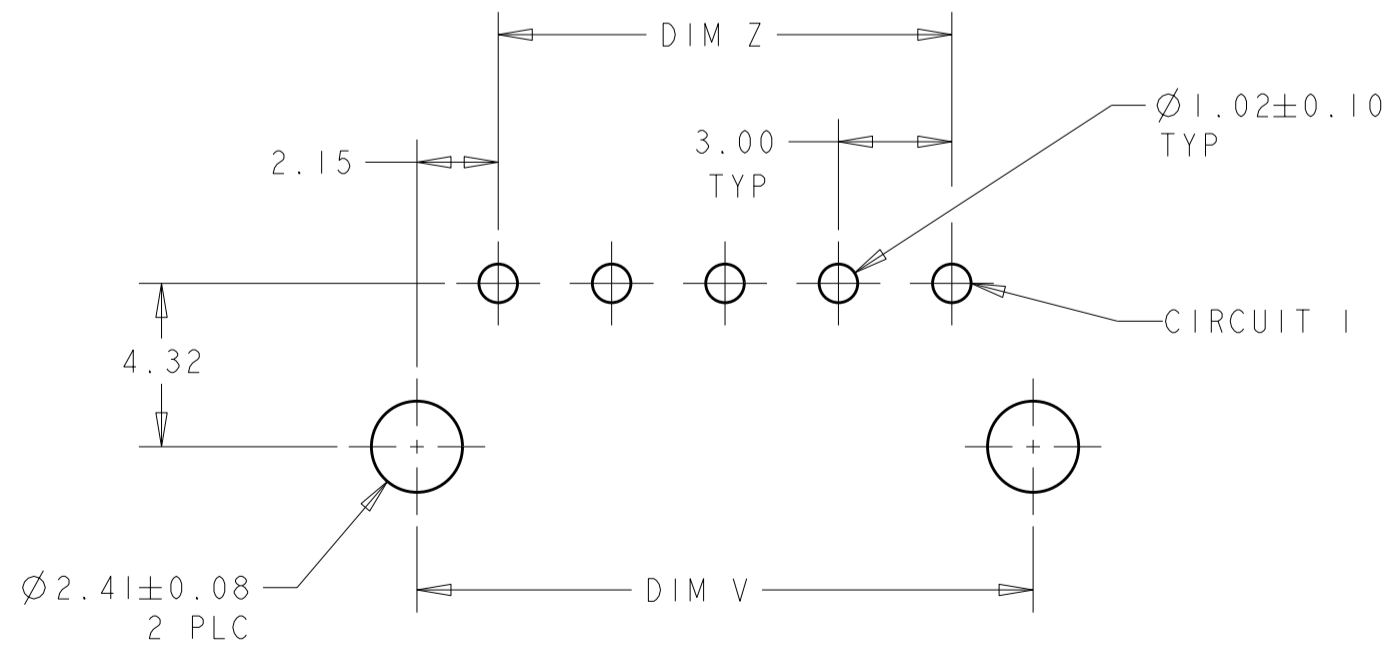
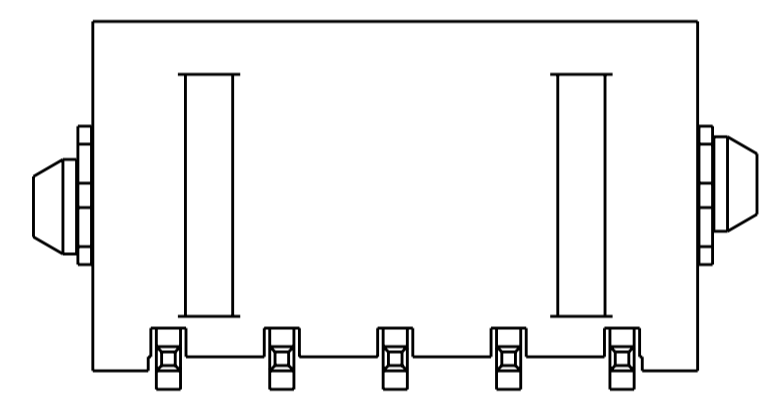


THIS DRAWING IS UNPUBLISHED. RELEASED FOR PUBLICATION 20
 © COPYRIGHT 20 BY - ALL RIGHTS RESERVED.

LOC	DIST	REVISIONS					
CM	00	P	LTR	DESCRIPTION	DATE	DWN	APVD
			AI	REVISED PER ECO-11-005027	17MAR2011	RK	HMR

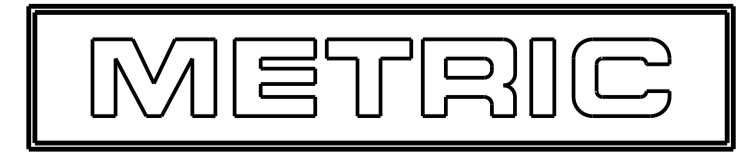


- 1 MATERIAL: CONTACTS - BRASS
HOUSING - UL 94V-0 RATED HIGH TEMP NYLON, COLOR BLACK.
HOLDDOWNS: - PHOSPHOR BRONZE.
- 2 PLATING: CONTACTS - 2.54µm MINIMUM TIN-LEAD OVER 1.27µm MINIMUM NICKEL.
HOLDDOWNS: 2.54µm MINIMUM TIN-LEAD OVER 1.27µm MINIMUM NICKEL.
- 4 RECOMMENDED PC BOARD THICKNESS OF 1.57.
- 5 PLATING: CONTACTS - 2.54µm MINIMUM MATTE TIN OVER 1.27µm MINIMUM NICKEL.
HOLDDOWNS: 2.54µm MINIMUM MATTE TIN OVER 1.27µm MINIMUM NICKEL.



5	33.00	37.43	33.00	40.14	12	3-1445054-2
5	30.00	34.43	30.00	37.14	11	3-1445054-1
5	27.00	31.43	27.00	34.14	10	3-1445054-0
5	24.00	28.43	24.00	31.14	9	2-1445054-9
5	21.00	25.43	21.00	28.14	8	2-1445054-8
5	18.00	22.43	18.00	25.14	7	2-1445054-7
5	15.00	19.43	15.00	22.14	6	2-1445054-6
5	12.00	16.43	12.00	19.14	5	2-1445054-5
5	9.00	13.43	9.00	16.14	4	2-1445054-4
5	6.00	10.43	6.00	13.14	3	2-1445054-3
5	3.00	7.43	3.00	10.14	2	2-1445054-2
2	33.00	37.43	33.00	40.14	12	1-1445054-2
2	30.00	34.43	30.00	37.14	11	1-1445054-1
2	27.00	31.43	27.00	34.14	10	1-1445054-0
2	24.00	28.43	24.00	31.14	9	1445054-9
2	21.00	25.43	21.00	28.14	8	1445054-8
2	18.00	22.43	18.00	25.14	7	1445054-7
2	15.00	19.43	15.00	22.14	6	1445054-6
2	9.00	13.43	9.00	16.14	4	1445054-4
2	6.00	10.43	6.00	13.14	3	1445054-3
2	3.00	7.43	3.00	10.14	2	1445054-2
FINISH	DIM Z	DIM V	DIM T	DIM W	NO. OF POSN	PART NUMBER

PCB LAYOUT COMPONENT SIDE 4



THIS DRAWING IS A CONTROLLED DOCUMENT. DWN J.ROOT 06OCT2000
 CHK K.WHITAKER 13-MAR-2001
 APVD K.WHITAKER 13-MAR-2001

STE TE Connectivity

NAME: RIGHT ANGLE THRU HOLE HEADER ASSY, TIN CONTACTS W/THRU HOLE HOLDDOWNS, SINGLE ROW, MICRO MATE-N-LOK™

SIZE: A2 CAGE CODE: 00779 DRAWING NO: 1445054 RESTRICTED TO: -
 SCALE: 5:1 SHEET: 1 OF 1 REV: AI

MATERIAL: SEE TABLE 1

TOLERANCES UNLESS OTHERWISE SPECIFIED:
 0 PLC ±
 1 PLC ±
 2 PLC ±0.13
 3 PLC ±
 4 PLC ±
 ANGLES ±
 FINISH ±

PRODUCT SPEC: -
 APPLICATION SPEC: -
 WEIGHT: -

CUSTOMER DRAWING