



Chipsmall Limited consists of a professional team with an average of over 10 year of expertise in the distribution of electronic components. Based in Hongkong, we have already established firm and mutual-benefit business relationships with customers from,Europe,America and south Asia,supplying obsolete and hard-to-find components to meet their specific needs.

With the principle of "Quality Parts,Customers Priority,Honest Operation,and Considerate Service",our business mainly focus on the distribution of electronic components. Line cards we deal with include Microchip,ALPS,ROHM,Xilinx,Pulse,ON,Everlight and Freescale. Main products comprise IC,Modules,Potentiometer,IC Socket,Relay,Connector.Our parts cover such applications as commercial,industrial, and automotives areas.

We are looking forward to setting up business relationship with you and hope to provide you with the best service and solution. Let us make a better world for our industry!



Contact us

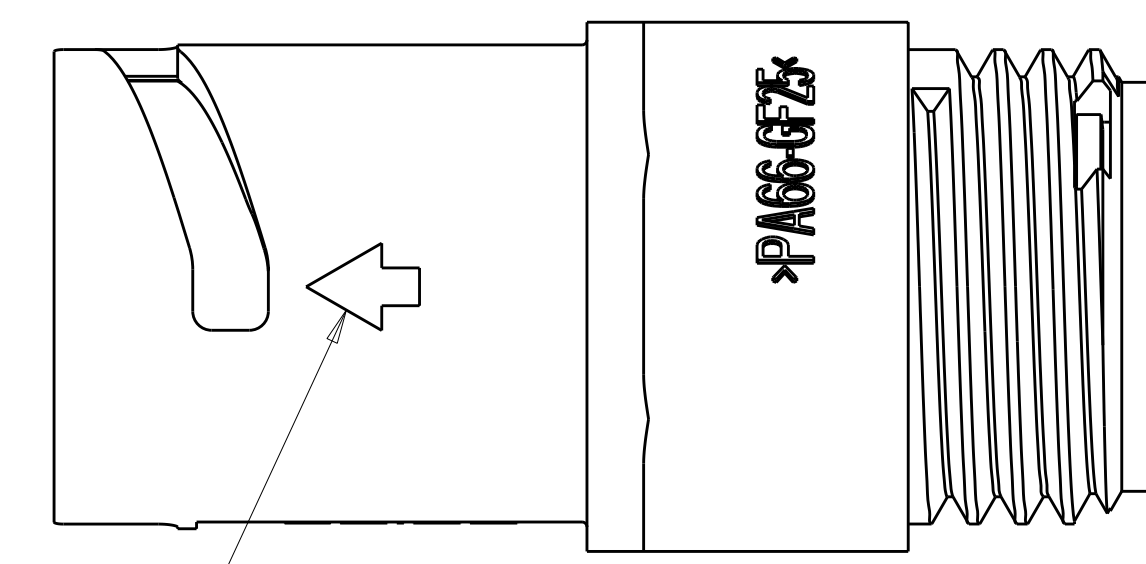
Tel: +86-755-8981 8866 Fax: +86-755-8427 6832

Email & Skype: info@chipsmall.com Web: www.chipsmall.com

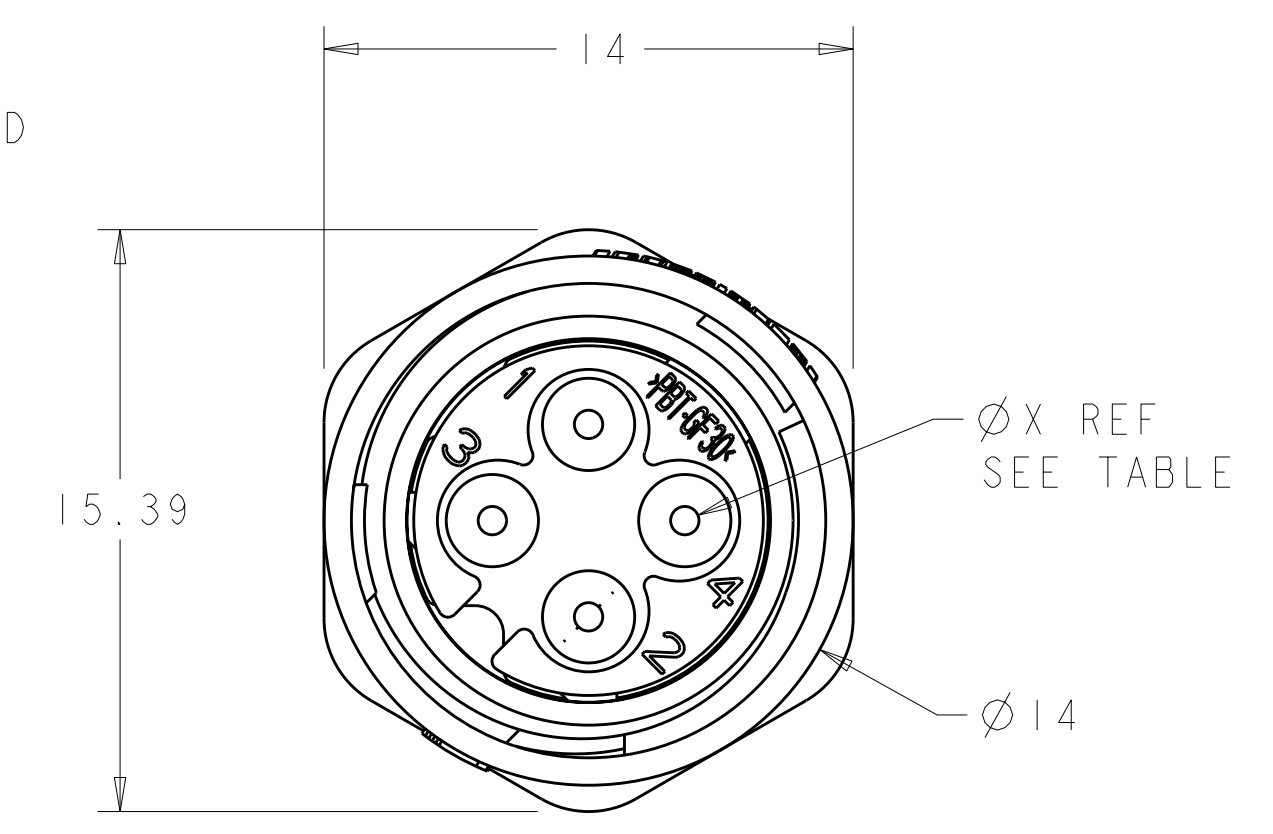
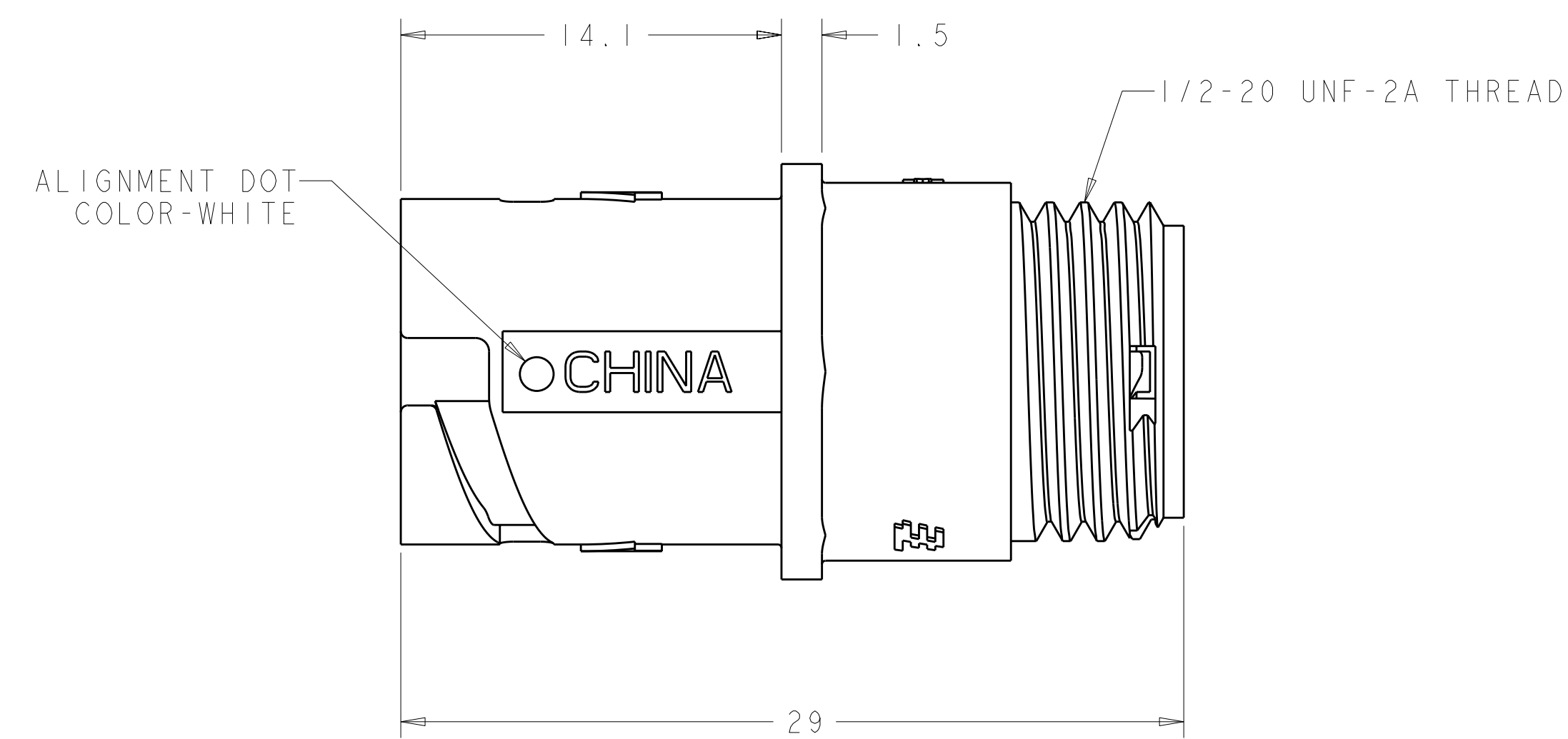
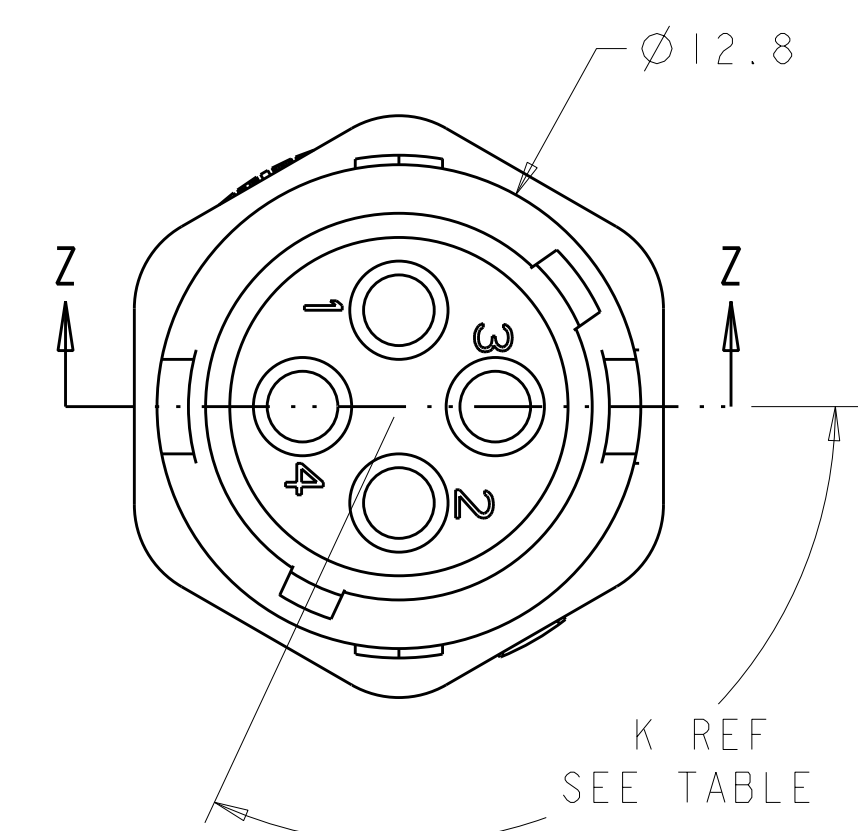
Address: A1208, Overseas Decoration Building, #122 Zhenhua RD., Futian, Shenzhen, China



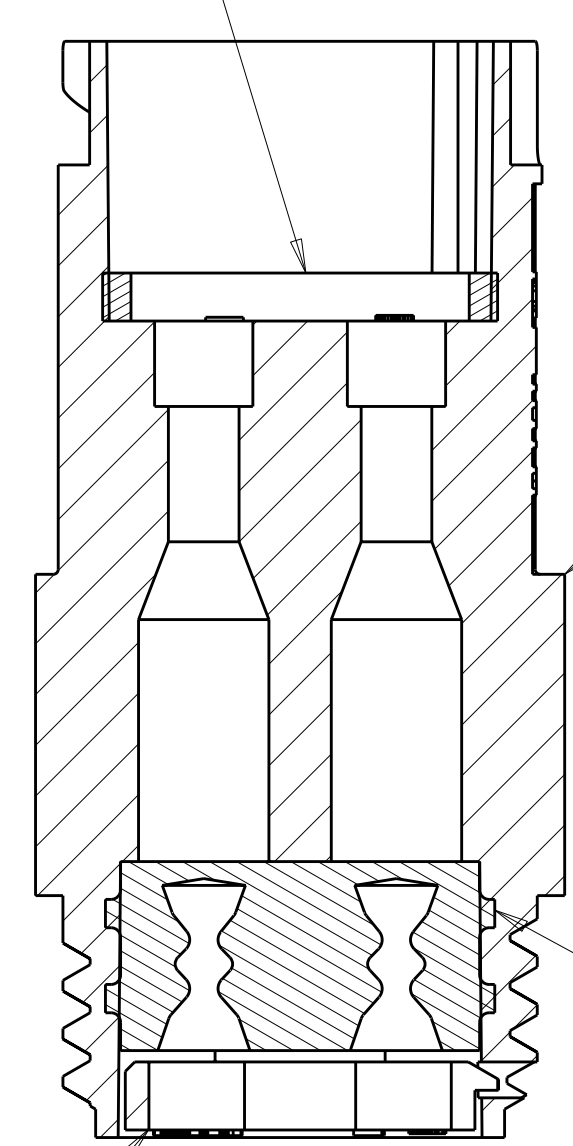
LOC		DIST		REVISIONS			
FT	0	P	LT#	DESCRIPTION	DATE	DWN	APVD
		B1		REVISED PER ECO-10-014504	14OCT2010	HMR	MG



POSITIVE LOCK INDICATOR



SEAL, PERIPHERAL, 1 REQD
 MATERIAL: ELASTOMER, COLOR-GRAY



HOUSING, 1 REQD
 MATERIAL: THERMOPLASTIC, COLOR-BLACK

SEAL, WIRE ENTRY, 1 REQD
 MATERIAL: ELASTOMER, COLOR-SEE TABLE

RETAINER, SEAL, 1 REQD
 MATERIAL: THERMOPLASTIC, COLOR-BLACK

SECTION Z-Z

QUALIFICATION TEST PENDING

SEAL WIRE ENTRY COLOR	ØX REF	K REF	PART NUMBER
YELLOW	Ø 0.75	130°	1445389-04
NATURAL	Ø 1.5	115°	1445389-03
NATURAL	Ø 1.5	130°	1445389-02
YELLOW	Ø 0.75	115°	1445389-01

DIMENSIONS: mm 		TOLERANCES UNLESS OTHERWISE SPECIFIED: 9 PLC ± 2 PLC ± 5 PLC ±0.13 4 PLC ± ANGLES ± FINISH ±		DWN: S. DOUTY 01MAR2001 CHK: H. WAKEEM 12JUN2003 APVD: H. WAKEEM 12JUN2003		Tyco Electronics Harrisburg, PA 17105-3608	
MATERIAL: SEE CALLOUT		FINISH: SEE CALLOUT		NAME: ASSEMBLY, RECEPTACLE, SIZE 8, 4 POSITION, FREE HANGING, SEALED, MINI CPC SIZE: A11 CAGE CODE: 00779 DRAWING NO: C=1445389		RESTRICTED TO: - SCALE: 5:1 SHEET 1 OF 1 REV: B1	