



Chipsmall Limited consists of a professional team with an average of over 10 year of expertise in the distribution of electronic components. Based in Hongkong, we have already established firm and mutual-benefit business relationships with customers from,Europe,America and south Asia,supplying obsolete and hard-to-find components to meet their specific needs.

With the principle of "Quality Parts,Customers Priority,Honest Operation,and Considerate Service",our business mainly focus on the distribution of electronic components. Line cards we deal with include Microchip,ALPS,ROHM,Xilinx,Pulse,ON,Everlight and Freescale. Main products comprise IC,Modules,Potentiometer,IC Socket,Relay,Connector.Our parts cover such applications as commercial,industrial, and automotives areas.

We are looking forward to setting up business relationship with you and hope to provide you with the best service and solution. Let us make a better world for our industry!



Contact us

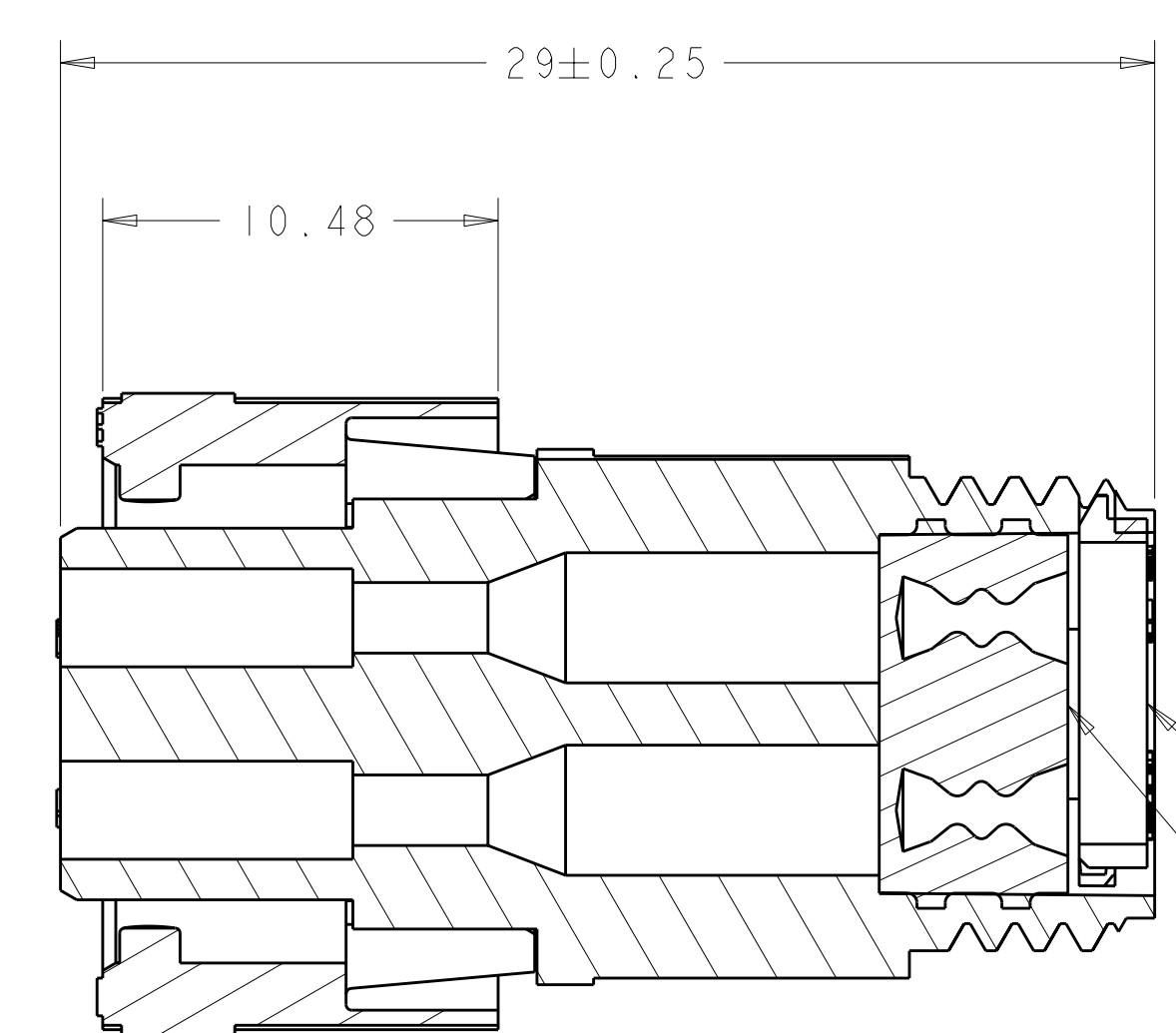
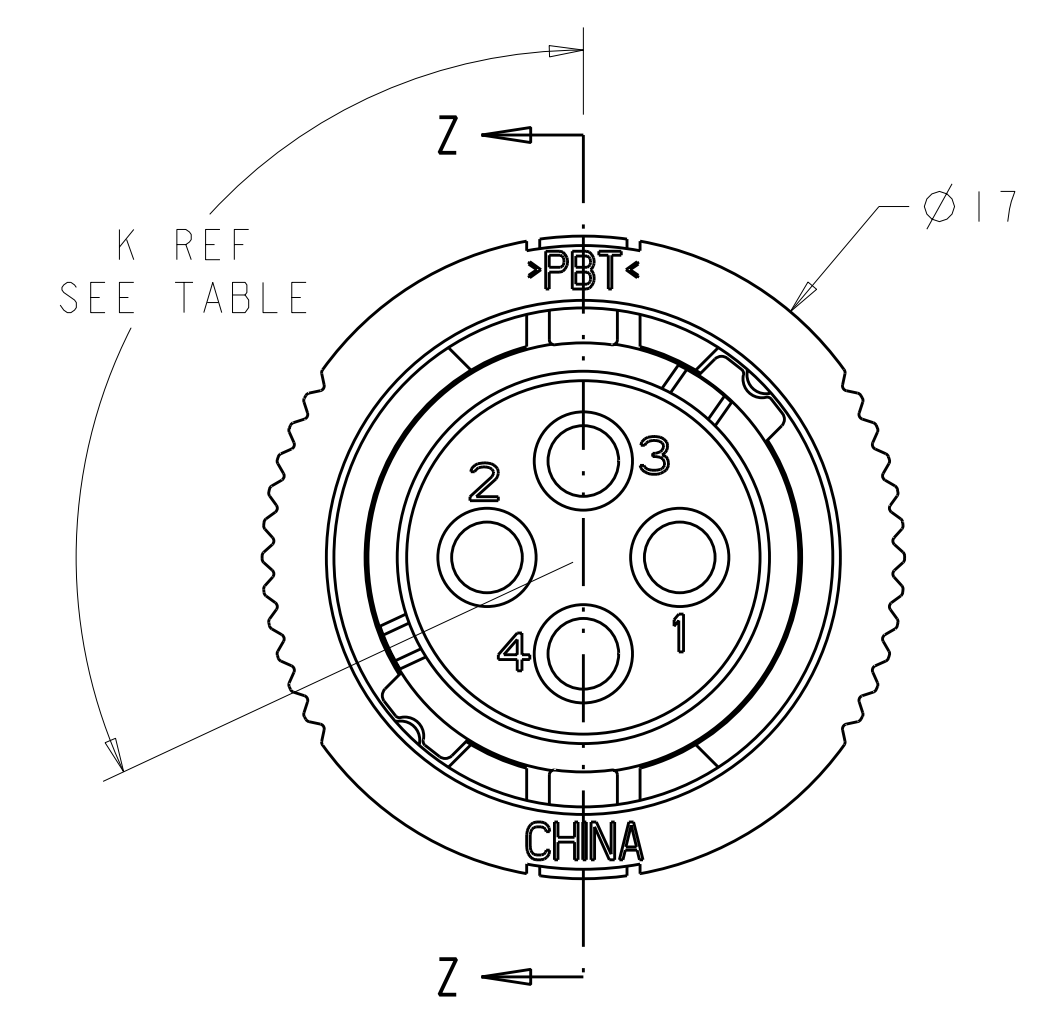
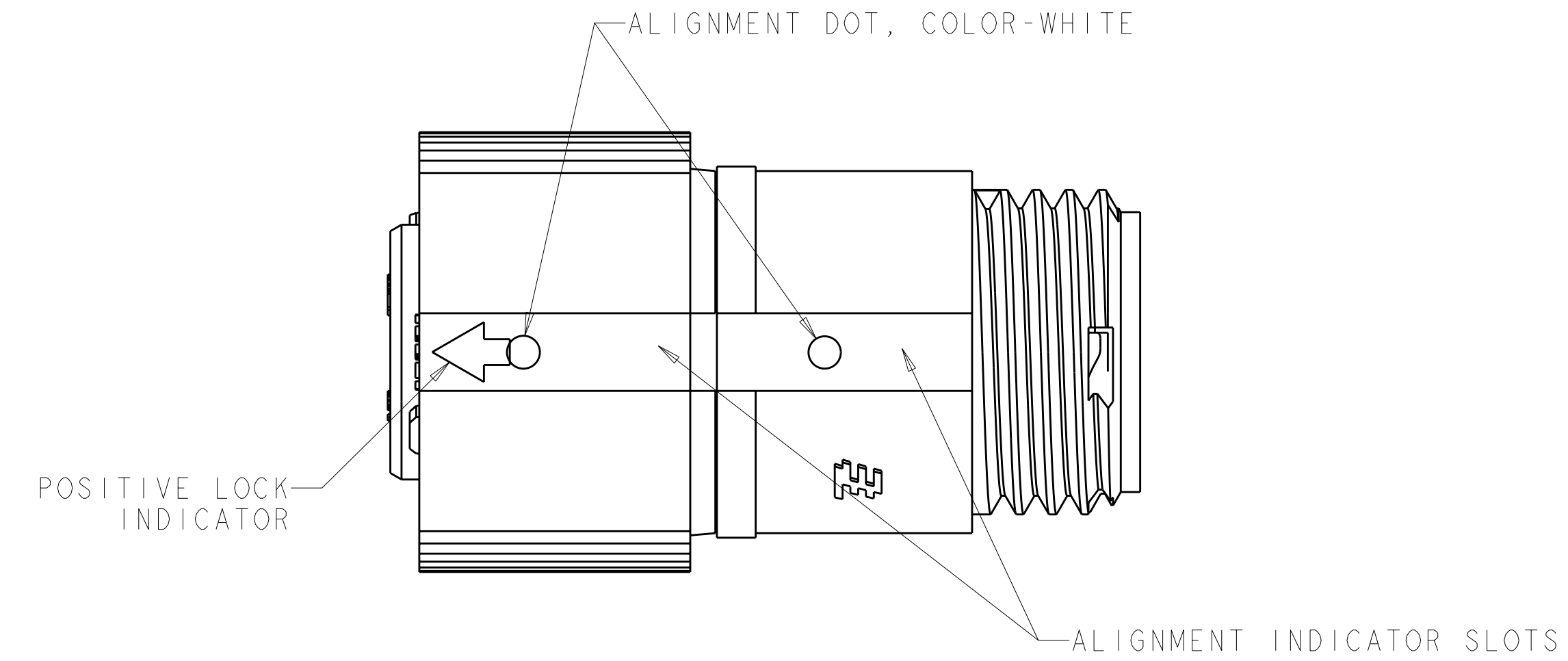
Tel: +86-755-8981 8866 Fax: +86-755-8427 6832

Email & Skype: info@chipsmall.com Web: www.chipsmall.com

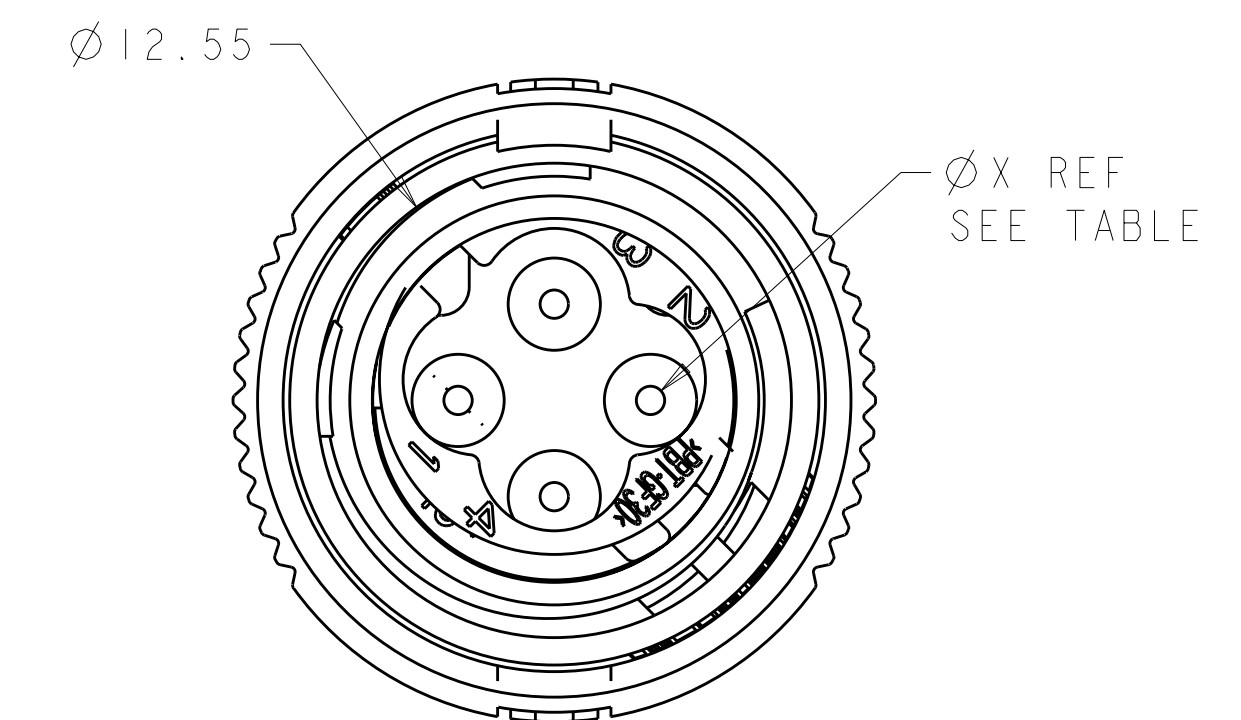
Address: A1208, Overseas Decoration Building, #122 Zhenhua RD., Futian, Shenzhen, China



LOC	DIST	REVISIONS			
REV	DATE	BY	CHK	APPV	DESCRIPTION
B2	12MAR2011	RK	HMR		REVISED PER ECO-11-004917

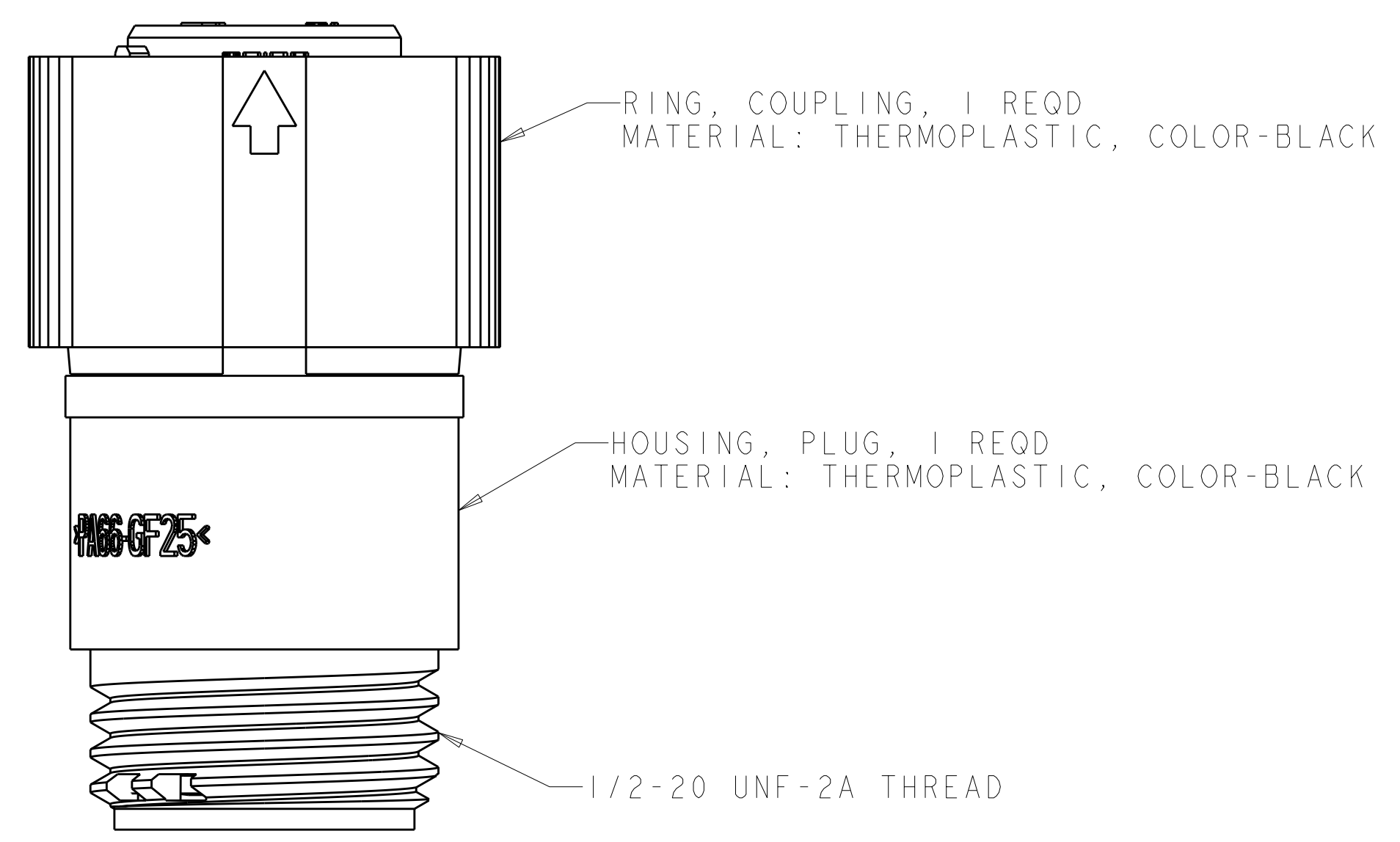


SECTION Z-Z



RETAINER, SEAL, 1 REQD
 MATERIAL: THERMOPLASTIC, COLOR-BLACK

SEAL, WIRE ENTRY, 1 REQD
 MATERIAL: ELASTOMER, COLOR-SEE TABLE



QUALIFICATION TEST PENDING

YELLOW	Ø0.75	130°	1445390-04
NATURAL	Ø1.5	115°	1445390-03
NATURAL	Ø1.5	130°	1445390-02
YELLOW	Ø0.75	115°	1445390-01
SEAL, WIRE ENTRY COLOR	ØX REF	K REF	PART NUMBER

THIS DRAWING IS A CONTROLLED DOCUMENT.

OWN: S. DOUTY 01MAR2001
 CHK: H. WAKEEM 12JUN2003
 APVD: H. WAKEEM 12JUN2003

TE Connectivity

NAME: ASSEMBLY, PLUG, SIZE 8
 4 POSITION, SEALED, MINI CPC

PRODUCT SPEC: -
 APPLICATION SPEC: -

SIZE: A100779 C=1445390
 SCALE: 5:1 SHEET 1 OF 1 REV: B2

MATERIAL: SEE CALLOUT
 FINISH: SEE CALLOUT

WEIGHT: -
 CUSTOMER DRAWING