



Chipsmall Limited consists of a professional team with an average of over 10 year of expertise in the distribution of electronic components. Based in Hongkong, we have already established firm and mutual-benefit business relationships with customers from,Europe,America and south Asia,supplying obsolete and hard-to-find components to meet their specific needs.

With the principle of “Quality Parts,Customers Priority,Honest Operation,and Considerate Service”,our business mainly focus on the distribution of electronic components. Line cards we deal with include Microchip,ALPS,ROHM,Xilinx,Pulse,ON,Everlight and Freescale. Main products comprise IC,Modules,Potentiometer,IC Socket,Relay,Connector.Our parts cover such applications as commercial,industrial, and automotives areas.

We are looking forward to setting up business relationship with you and hope to provide you with the best service and solution. Let us make a better world for our industry!



Contact us

Tel: +86-755-8981 8866 Fax: +86-755-8427 6832

Email & Skype: info@chipsmall.com Web: www.chipsmall.com

Address: A1208, Overseas Decoration Building, #122 Zhenhua RD., Futian, Shenzhen, China



4

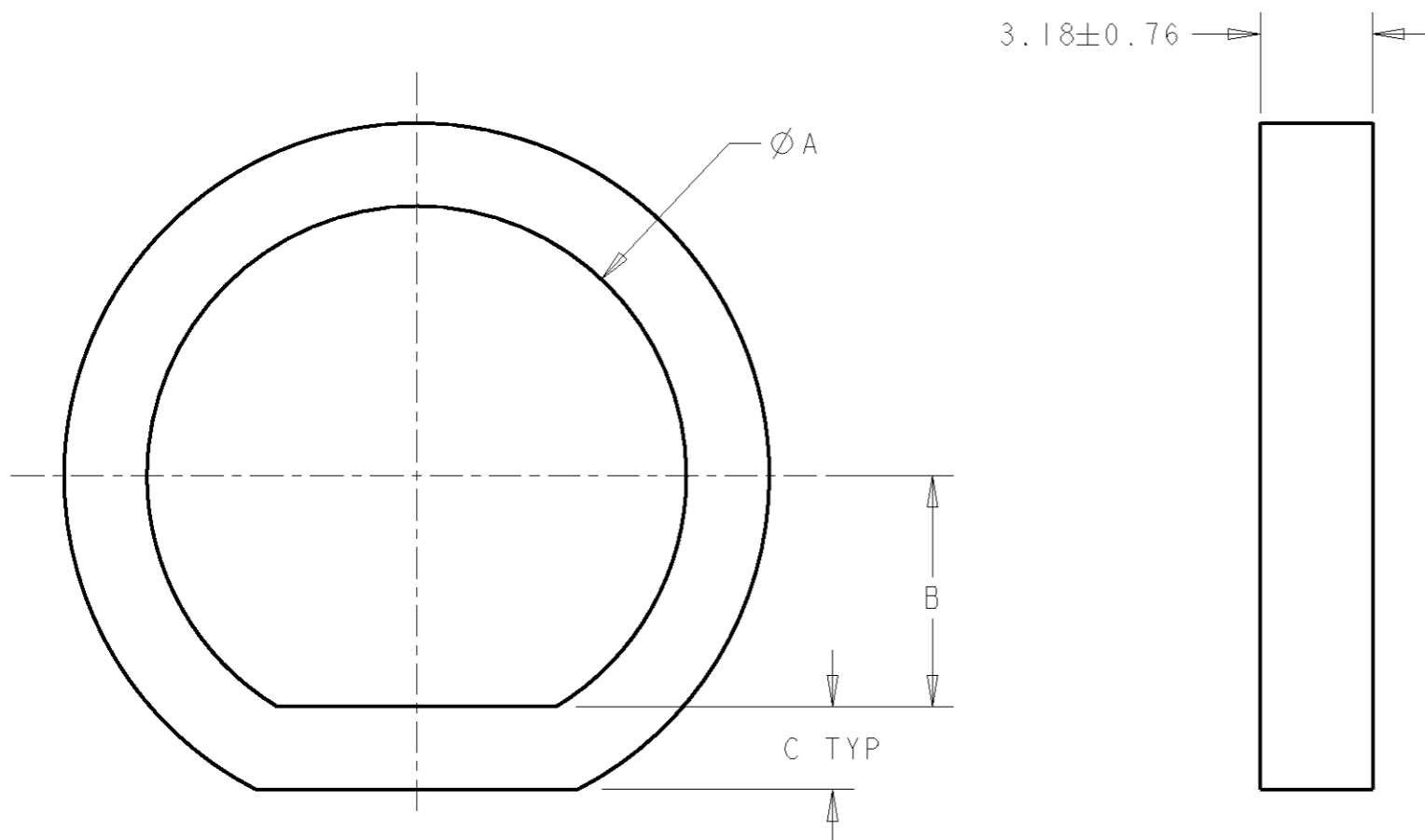
3

2

1

THIS DRAWING IS UNPUBLISHED. RELEASED FOR PUBLICATION
COPYRIGHT ALL RIGHTS RESERVED.

LOC	DIST	REVISIONS					
FT	0	P	LTR	DESCRIPTION	DATE	DWN	APVD
		C2		REVISED PER ECO-11-005140	19APR11	RK	HMR



- 1 MATERIAL: NEOPRENE CLOSED CELL SPONGE, COLOR-BLACK.
- 2 OBSOLETE PARTS : OBSOLETE CIS STREAMLINING PER D.RENAUD/D.SINISI

PRELIMINARY	1.50	6.55	15.3	1445420-8
	2.35	10.5	23.1	1445420-7
2 OBSOLETE	2.35	5.25	12.5	1445420-6
	2.35	6.0	14.0	1445420-5
2 OBSOLETE	2.35	4.2	9.25	1445420-4
	2.35	4.5	10.9	1445420-3
	2.35	8.5	18.5	1445420-2
	2.35	6.55	15.3	1445420-1
	C	B	A	PART NUMBER

DOWNSIDE: G DOUTY 04JUN2003			
CHECKED: H.WALEEM 18JUL2003			
APPROVED: H.WAKFEM 18JUL2003		NAME: SEAL, PANEL	
DIMENSIONS: mm		PRODUCT SPEC: -	
TOLERANCES UNLESS OTHERWISE SPECIFIED:		APPLICATION SPEC: -	
0 PLC ±0		WEIGHT: -	
1 PLC ±0.51		SIZE: A3	
2 PLC ±0.51		CAGE CODE: 00779	
3 PLC ±-		DRAWING NO: 1445420	
4 PLC ±-		RESTRICTED TO: -	
ANGLES ±-		SCALE: 5.1	
MATERIAL: 1		SHEET: 1 OF 1	
FINISH: -		REV: C2	
CUSTOMER DRAWING			