



Chipsmall Limited consists of a professional team with an average of over 10 year of expertise in the distribution of electronic components. Based in Hongkong, we have already established firm and mutual-benefit business relationships with customers from,Europe,America and south Asia,supplying obsolete and hard-to-find components to meet their specific needs.

With the principle of “Quality Parts,Customers Priority,Honest Operation,and Considerate Service”,our business mainly focus on the distribution of electronic components. Line cards we deal with include Microchip,ALPS,ROHM,Xilinx,Pulse,ON,Everlight and Freescale. Main products comprise IC,Modules,Potentiometer,IC Socket,Relay,Connector.Our parts cover such applications as commercial,industrial, and automotives areas.

We are looking forward to setting up business relationship with you and hope to provide you with the best service and solution. Let us make a better world for our industry!



Contact us

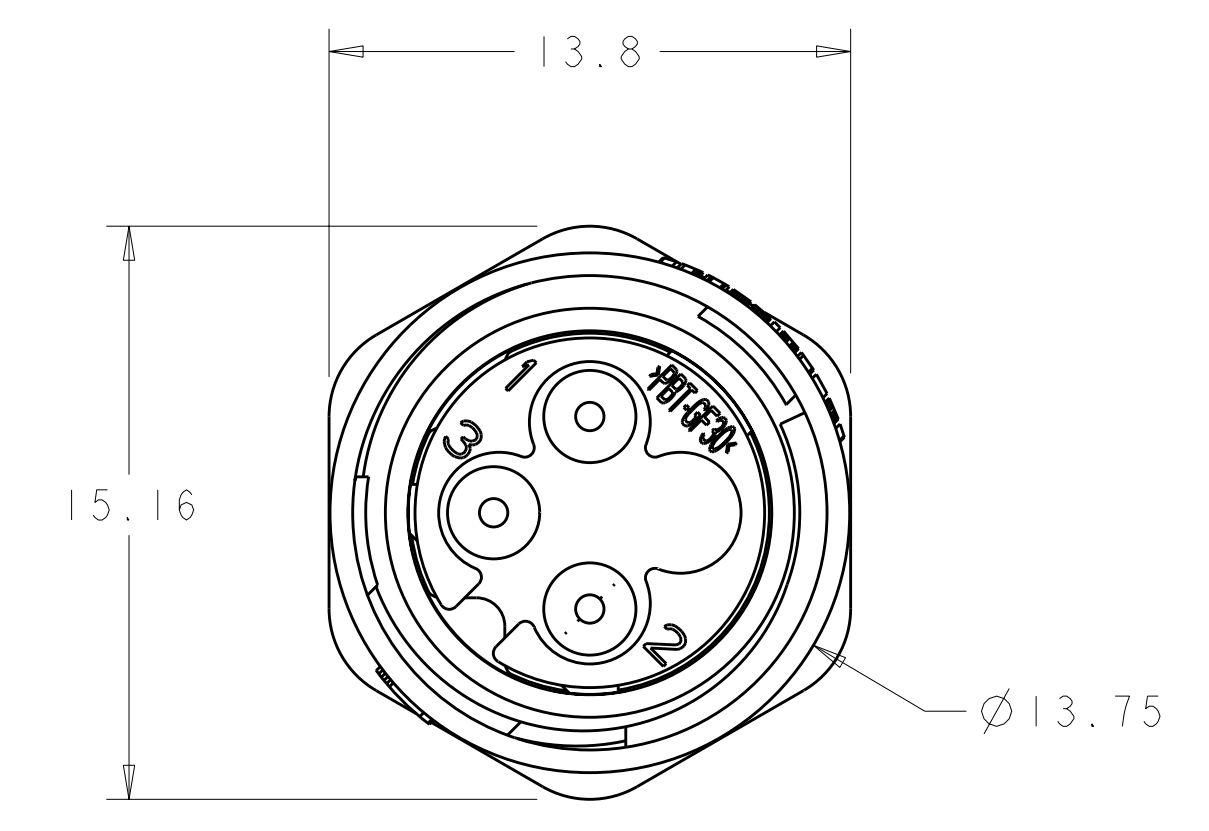
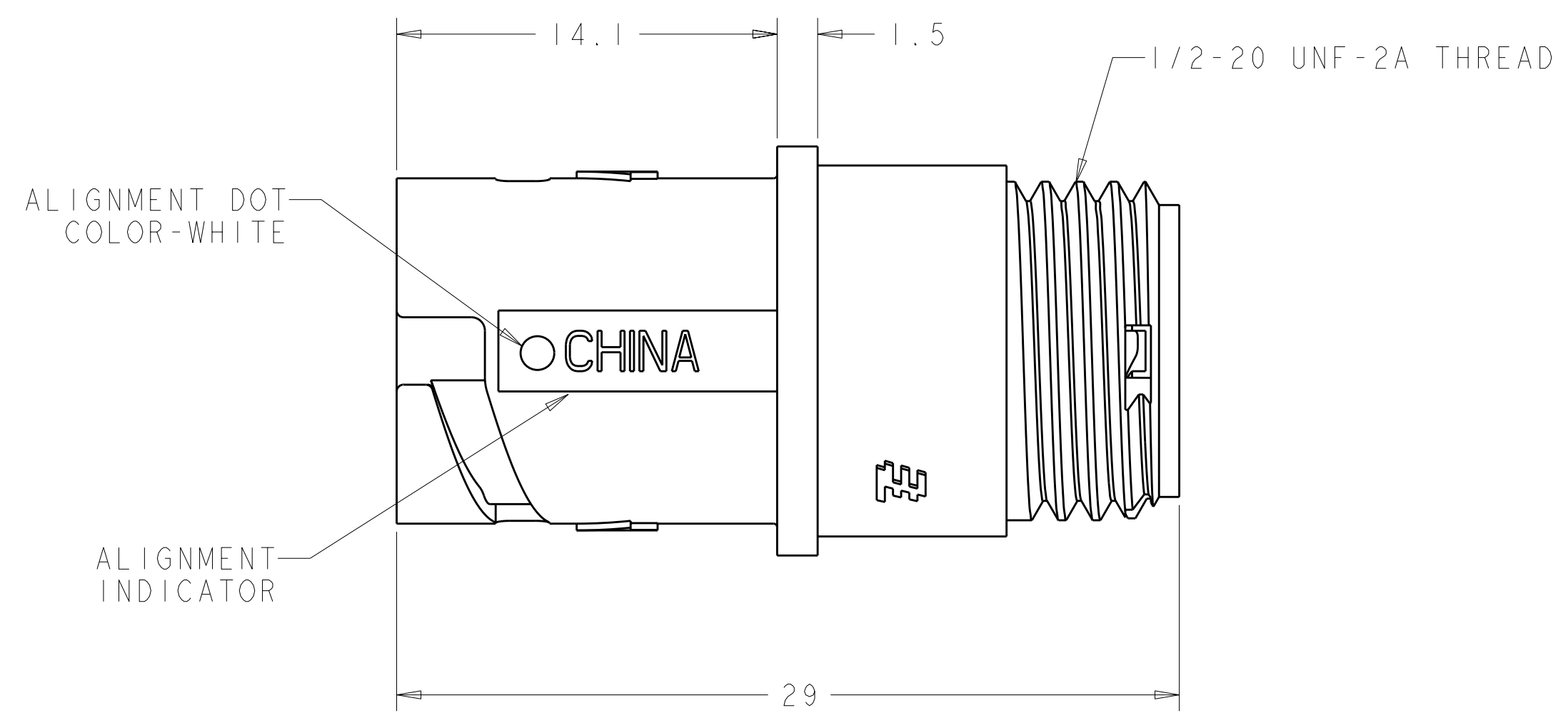
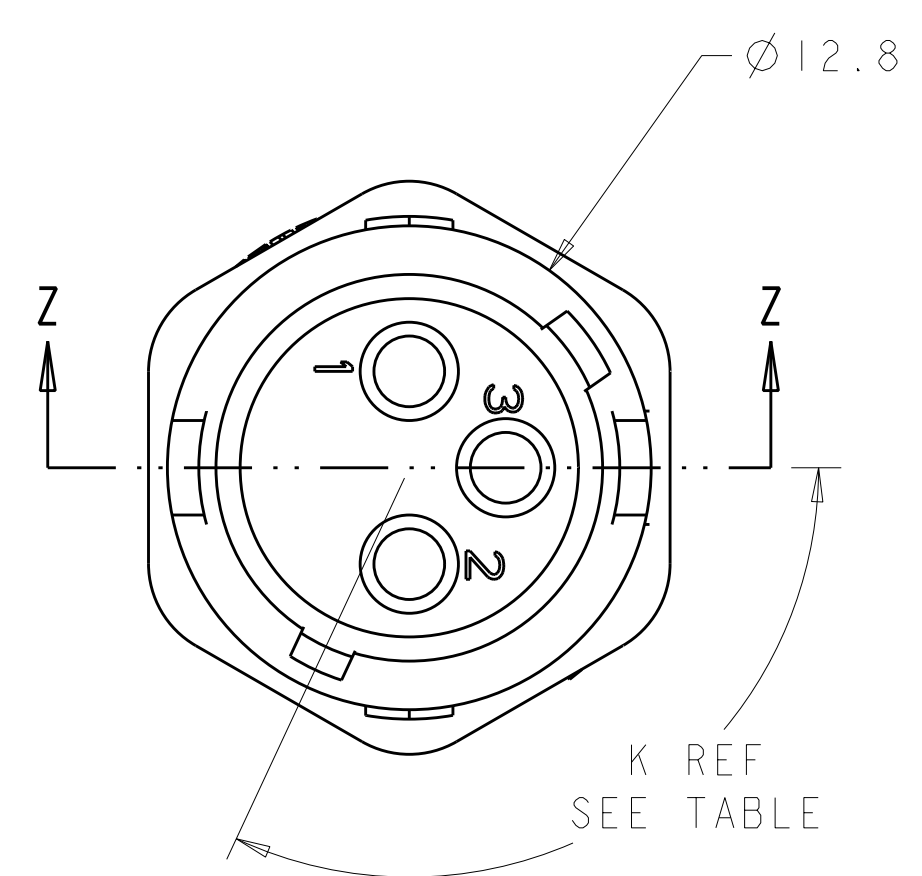
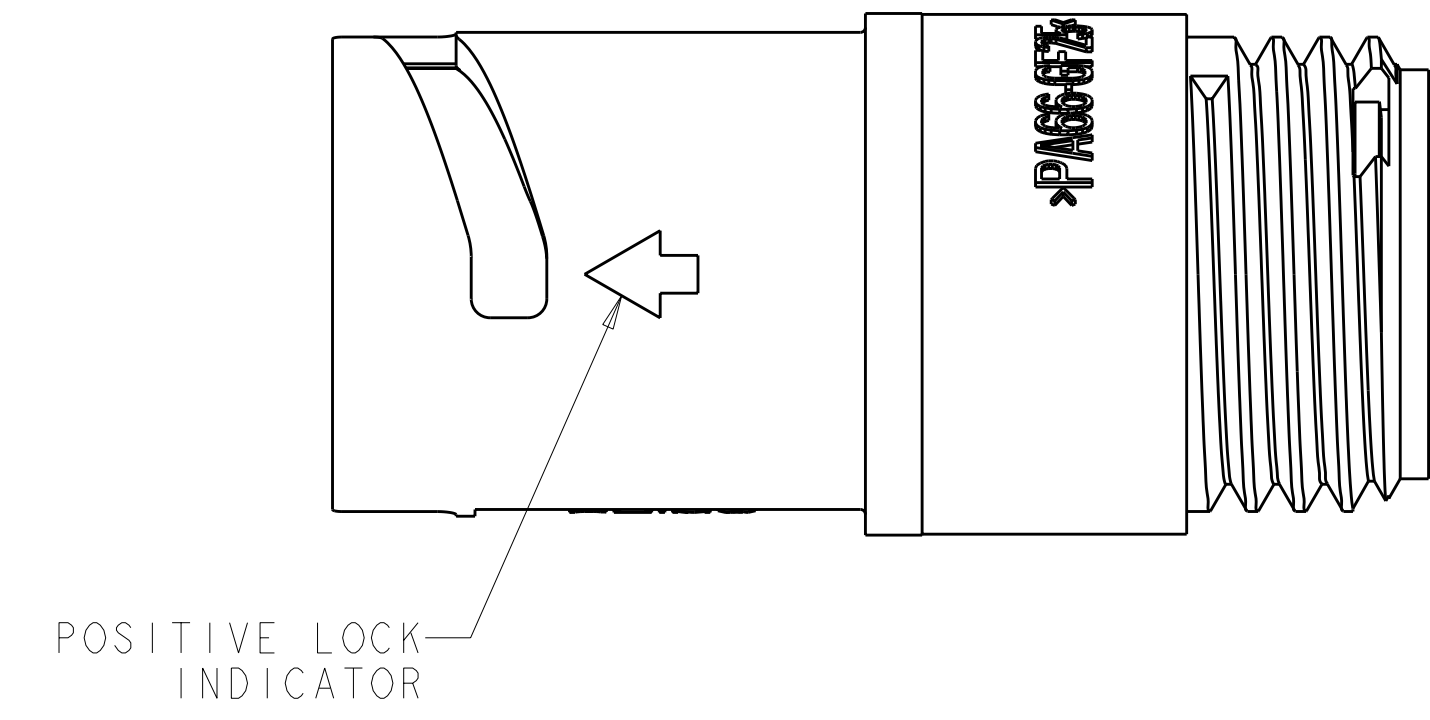
Tel: +86-755-8981 8866 Fax: +86-755-8427 6832

Email & Skype: info@chipsmall.com Web: www.chipsmall.com

Address: A1208, Overseas Decoration Building, #122 Zhenhua RD., Futian, Shenzhen, China

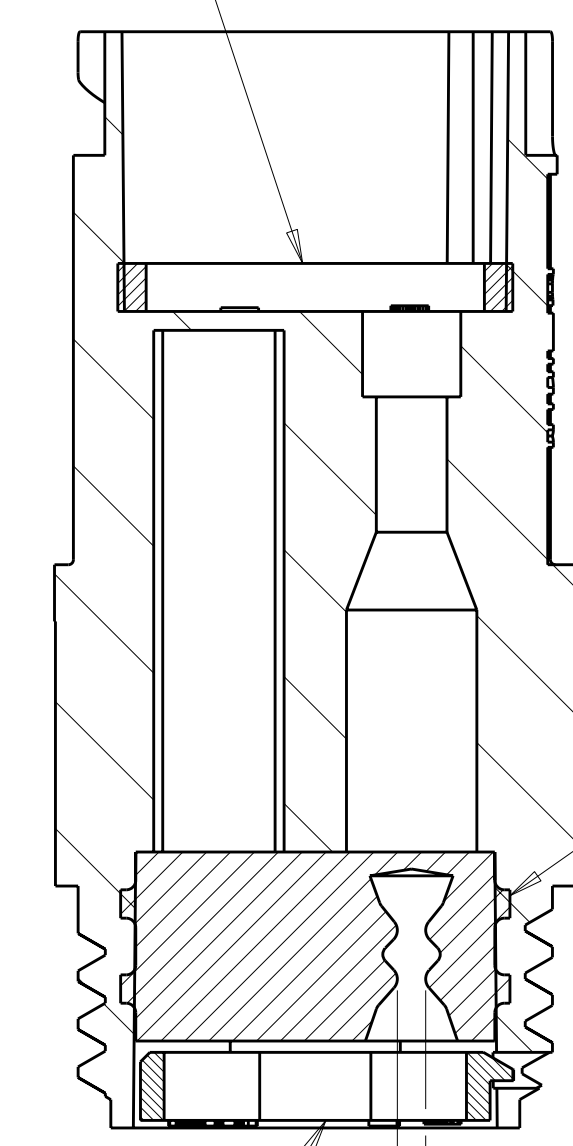


LOC		DIST		REVISIONS			
FT	0	P	LTR	DESCRIPTION	DATE	DWN	APVD
		B1		REVISED PER ECO-10-014504	19OCT10	HMR	MG



QUALIFICATION TEST PENDING

SEAL, PERIPHERAL, 1 REQD.
 MATERIAL: ELASTOMER, COLOR-GRAY



HOUSING, 1 REQD.
 MATERIAL: THERMOPLASTIC, COLOR-BLACK

SEAL, WIRE ENTRY, 1 REQD.
 MATERIAL: ELASTOMER, COLOR-SEE TABLE

RETAINER, SEAL, 1 REQD.
 MATERIAL: THERMOPLASTIC, COLOR-BLACK
 Ø X REF SEE TABLE

SECTION Z-Z

YELLOW	Ø 0.75	130°	1445510-04
NATURAL	Ø 1.5	115°	1445510-03
NATURAL	Ø 1.5	130°	1445510-02
YELLOW	Ø 0.75	115°	1445510-01
SEAL, WIRE ENTRY COLOR	Ø X REF	K REF	PART NUMBER

DIMENSIONS: mm 		TOLERANCES UNLESS OTHERWISE SPECIFIED: 0 PLC ±.5 1 PLC ±0.13 2 PLC ±0.13 3 PLC ±0.13 4 PLC ±0.0001 ANGLES ±.1		DWN S. WIEST 01MAY2001 CHK G. DOUITY 01MAY2001 APVD H. WAKEEM 12JUN2003		Tyco Electronics Harrisburg, PA 17105-3608	
MATERIAL SEE CALLOUT		FINISH SEE CALLOUT		NAME ASSEMBLY, RECEPTACLE, SIZE 8, 3 POSITION, FREE HANGING, SEALED, MINI CPC SIZE CAGE CODE DRAWING NO. RESTRICTED TO A11 00779 C=1445510		CUSTOMER DRAWING SCALE 5:1 SHEET 1 OF 1 REV B1	