



Chipsmall Limited consists of a professional team with an average of over 10 year of expertise in the distribution of electronic components. Based in Hongkong, we have already established firm and mutual-benefit business relationships with customers from,Europe,America and south Asia,supplying obsolete and hard-to-find components to meet their specific needs.

With the principle of "Quality Parts,Customers Priority,Honest Operation,and Considerate Service",our business mainly focus on the distribution of electronic components. Line cards we deal with include Microchip,ALPS,ROHM,Xilinx,Pulse,ON,Everlight and Freescale. Main products comprise IC,Modules,Potentiometer,IC Socket,Relay,Connector.Our parts cover such applications as commercial,industrial, and automotives areas.

We are looking forward to setting up business relationship with you and hope to provide you with the best service and solution. Let us make a better world for our industry!



Contact us

Tel: +86-755-8981 8866 Fax: +86-755-8427 6832

Email & Skype: info@chipsmall.com Web: www.chipsmall.com

Address: A1208, Overseas Decoration Building, #122 Zhenhua RD., Futian, Shenzhen, China



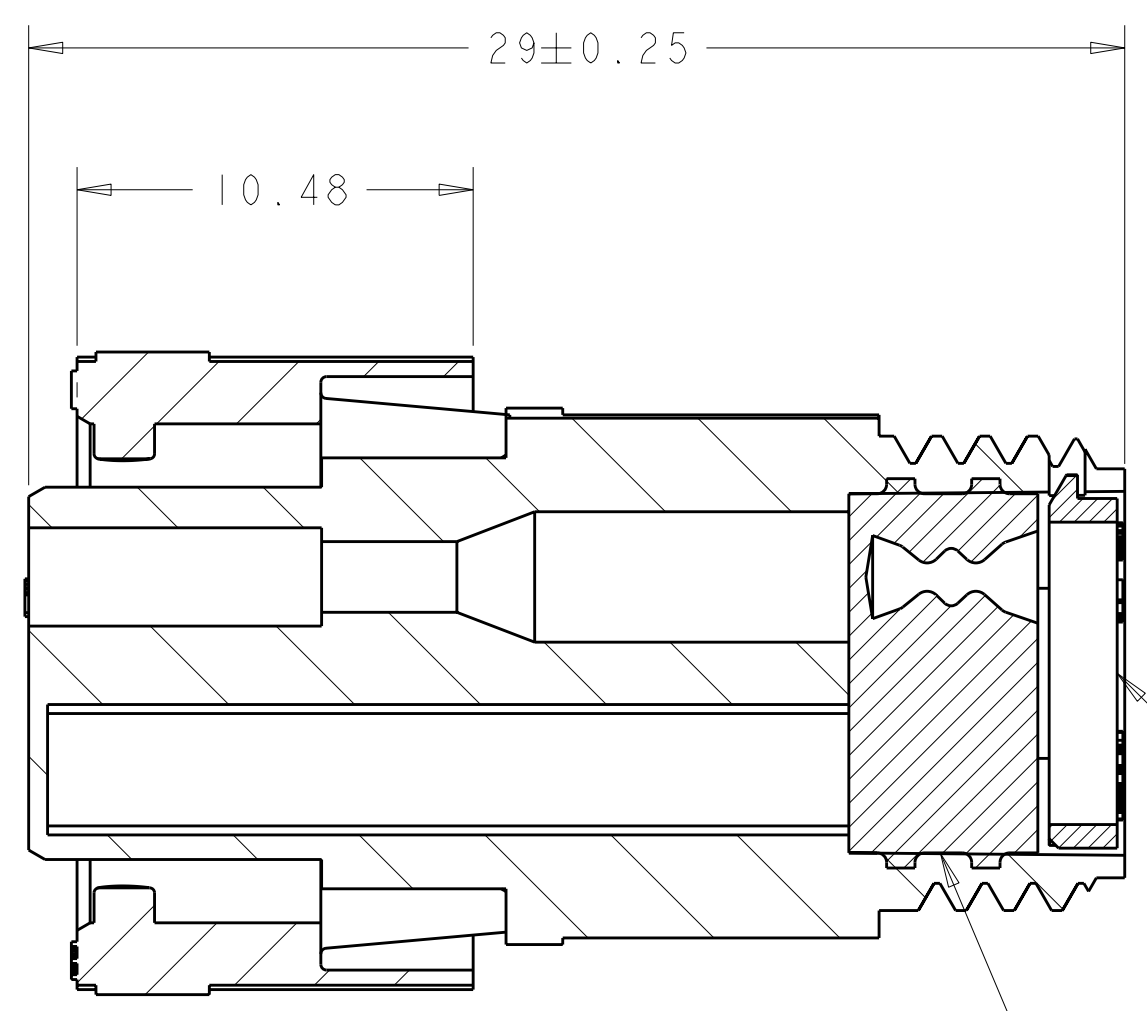
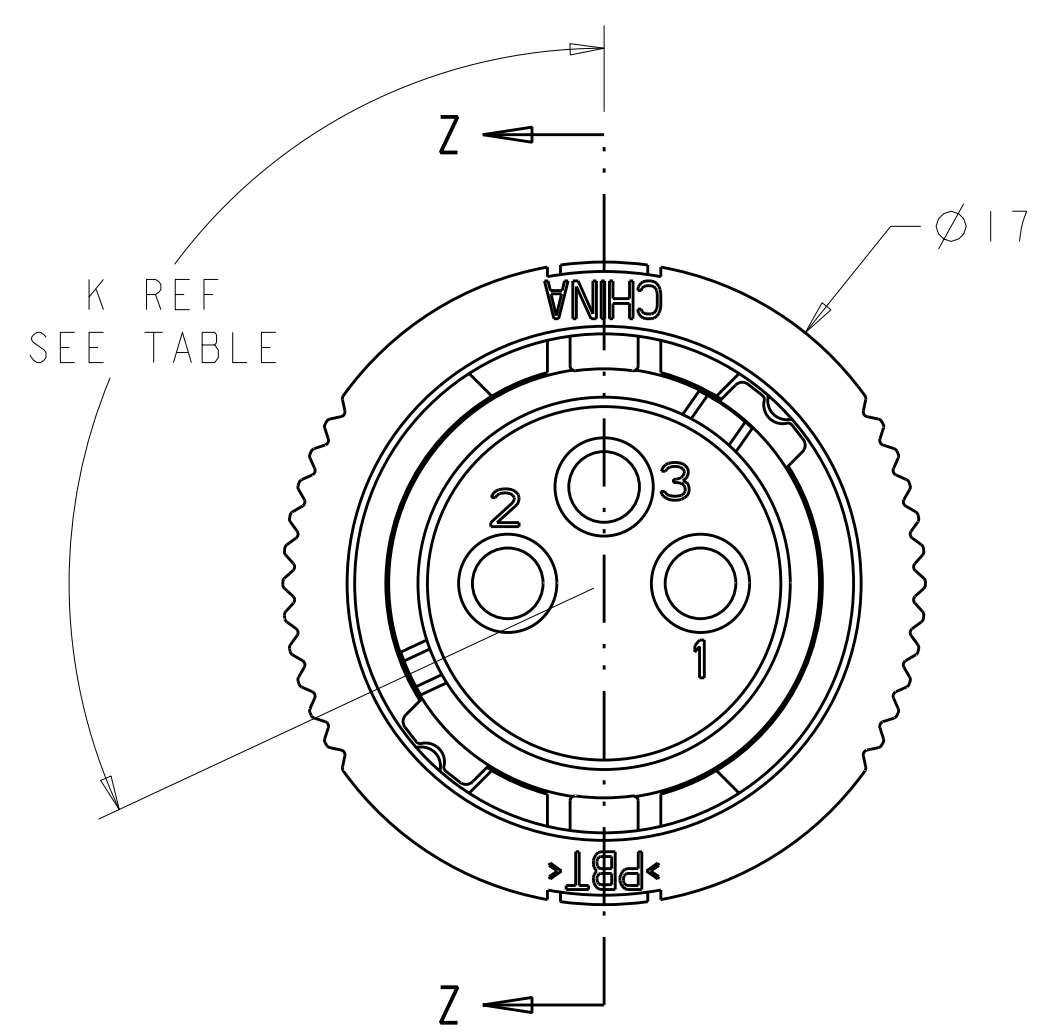
LOC	DIST	REVISIONS			
FT	0	REV	DATE	BY	APPD
		B2	19OCT2010	HMR	MG

ALIGNMENT DOT, COLOR-WHITE

POSITIVE LOCK INDICATOR

ALIGNMENT INDICATOR SLOTS

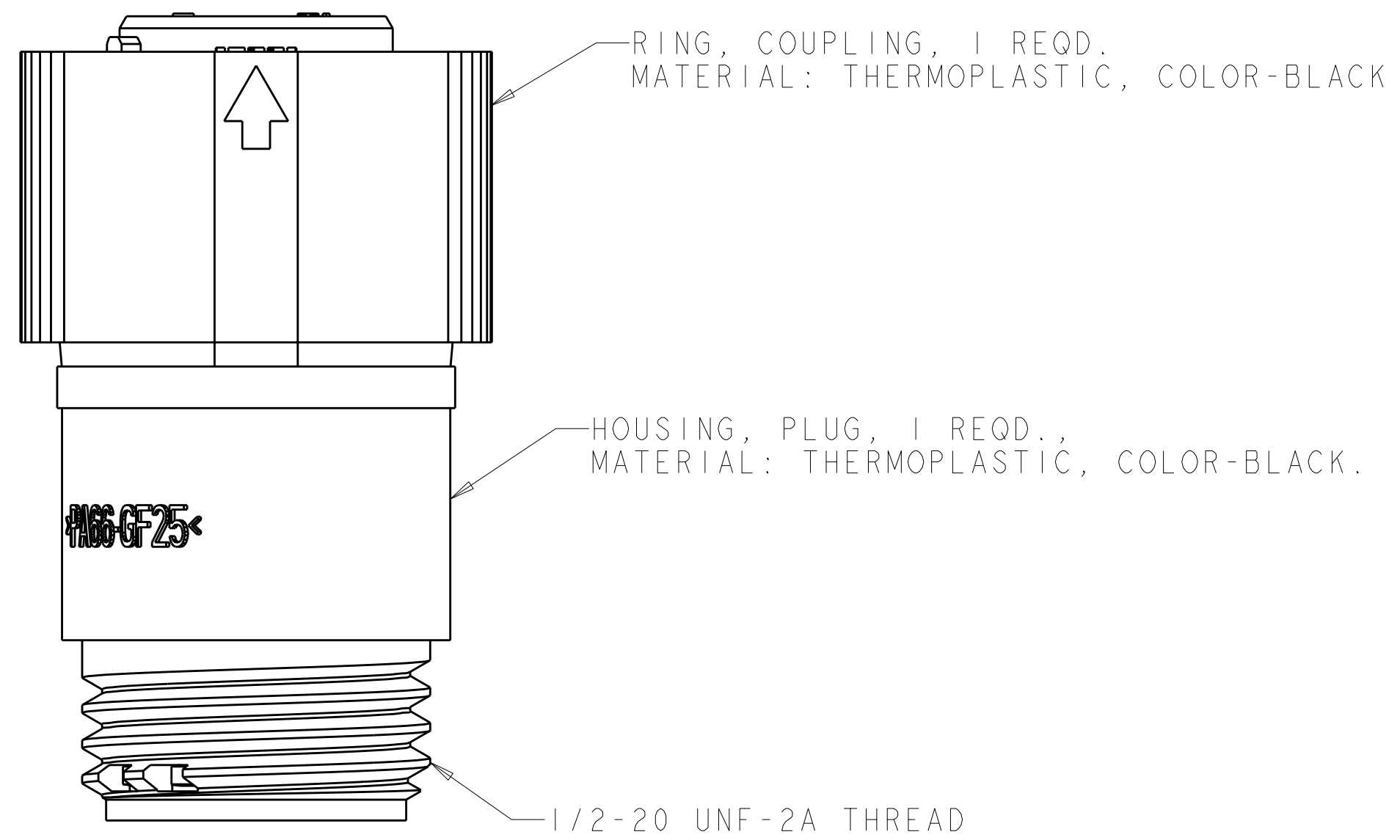
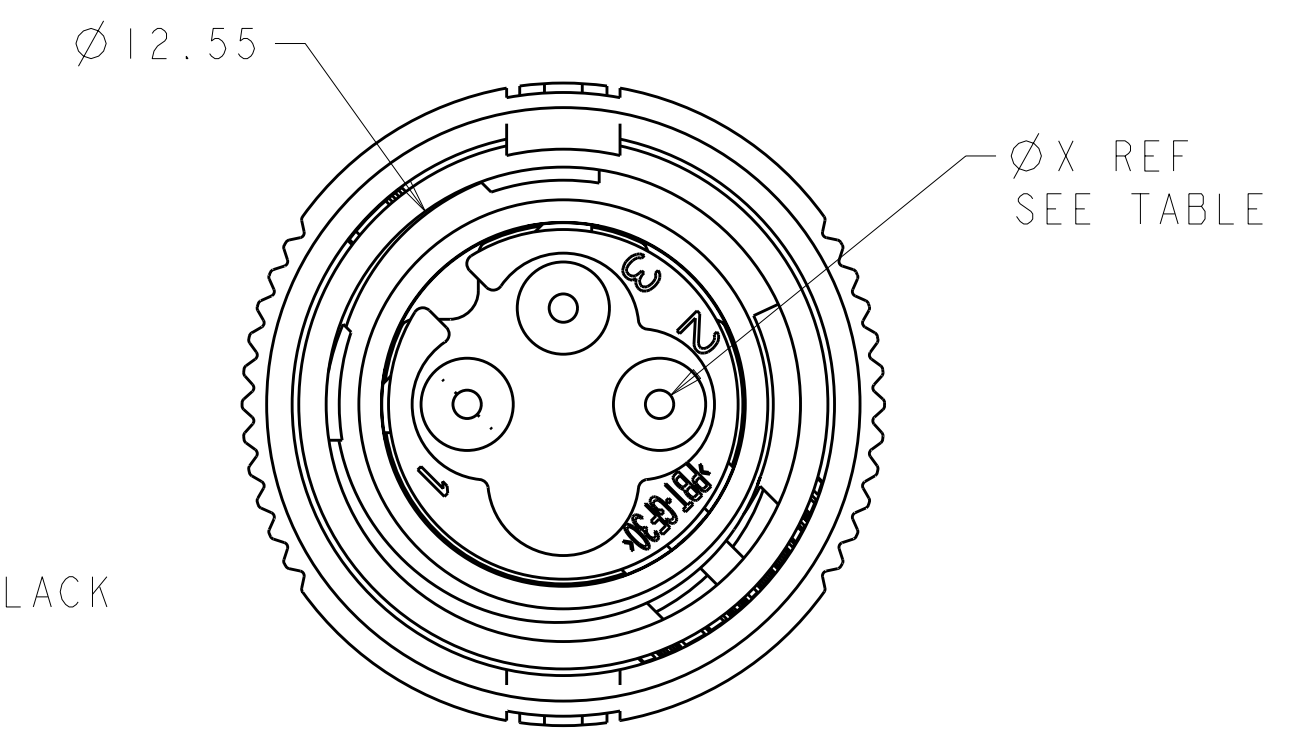
PRELIMINARY - NOT FOR PRODUCTION



SECTION Z-Z

RETAINER, SEAL, 1 REQD.
 MATERIAL: THERMOPLASTIC, COLOR-BLACK

SEAL, WIRE ENTRY, 1 REQD.
 MATERIAL: ELASTOMER, COLOR-SEE TABLE



QUALIFICATION TEST PENDING

RED	NATURAL	Ø 1.5	115°	△ 1445534-05
BLACK	YELLOW	Ø 0.75	130°	1445534-04
BLACK	NATURAL	Ø 1.5	115°	1445534-03
BLACK	NATURAL	Ø 1.5	130°	1445534-02
BLACK	YELLOW	Ø 0.75	115°	1445534-01
HOUSING COLOR	SEAL, WIRE ENTRY COLOR	ØX REF	K REF	PART NUMBER

DIMENSIONS: mm 		TOLERANCES UNLESS OTHERWISE SPECIFIED: 0 PLC ±.5 1 PLC ±0.13 5 PLC ±0.013 4 PLC ±0.0001 ANGLES ±.1		DWN S. WIEST 07MAY2001 CHK G. DQUITY 07MAY2001 APVD H. WAKEEM 12JUN2003		Tyco Electronics Harrisburg, PA 17105-3608	
MATERIAL: SEE CALLOUT		FINISH: -		WEIGHT: -		NAME: ASSEMBLY, PLUG, SIZE 8, 3 POSITION, SEALED, MINI CPC SIZE: A11 00779 CAGE CODE: C=1445534 DRAWING NO: -	
CUSTOMER DRAWING				SCALE: 5:1		SHEET 1 OF 1 REV: B2	