



Chipsmall Limited consists of a professional team with an average of over 10 year of expertise in the distribution of electronic components. Based in Hongkong, we have already established firm and mutual-benefit business relationships with customers from,Europe,America and south Asia,supplying obsolete and hard-to-find components to meet their specific needs.

With the principle of “Quality Parts,Customers Priority,Honest Operation,and Considerate Service”,our business mainly focus on the distribution of electronic components. Line cards we deal with include Microchip,ALPS,ROHM,Xilinx,Pulse,ON,Everlight and Freescale. Main products comprise IC,Modules,Potentiometer,IC Socket,Relay,Connector.Our parts cover such applications as commercial,industrial, and automotives areas.

We are looking forward to setting up business relationship with you and hope to provide you with the best service and solution. Let us make a better world for our industry!



## Contact us

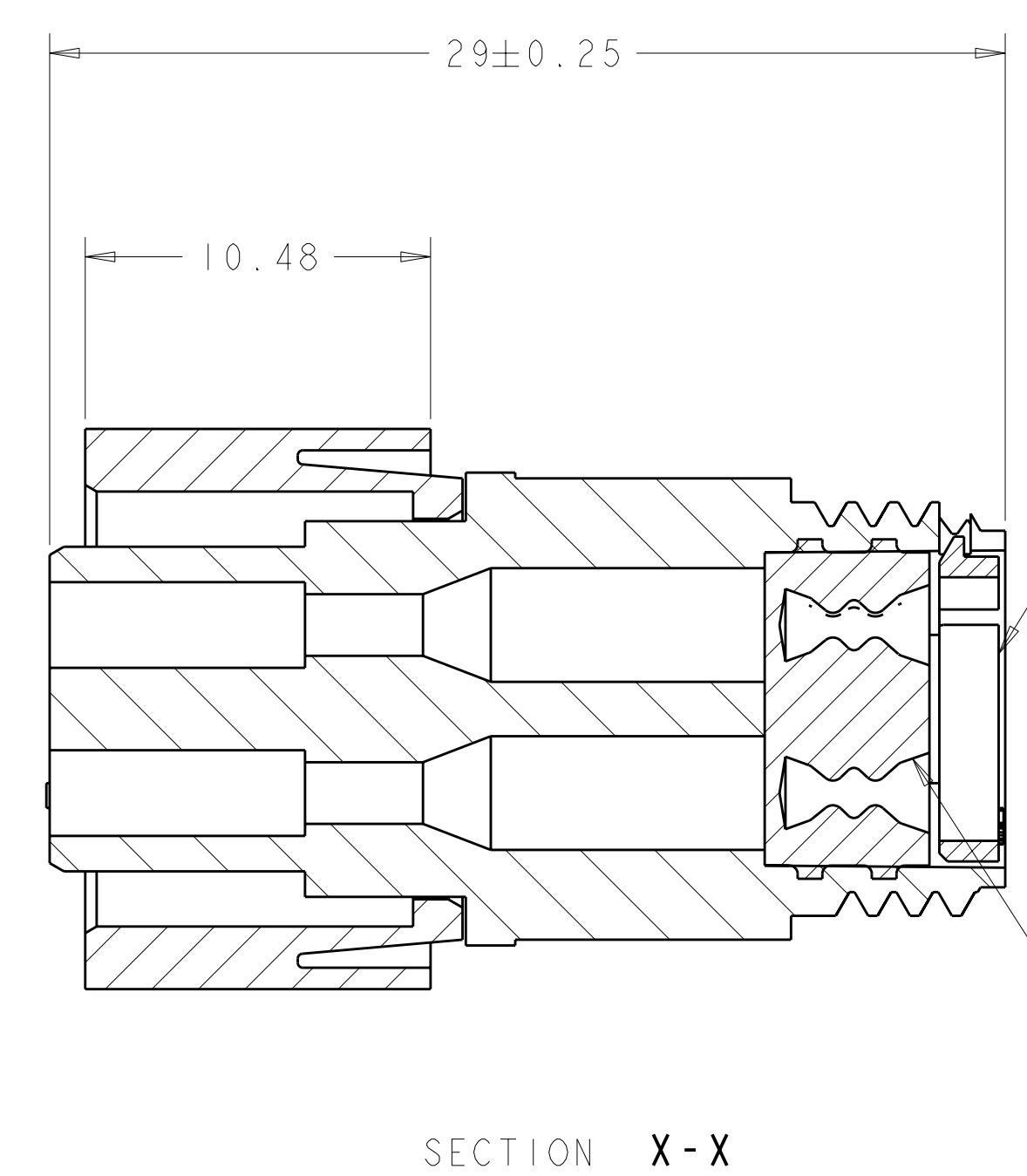
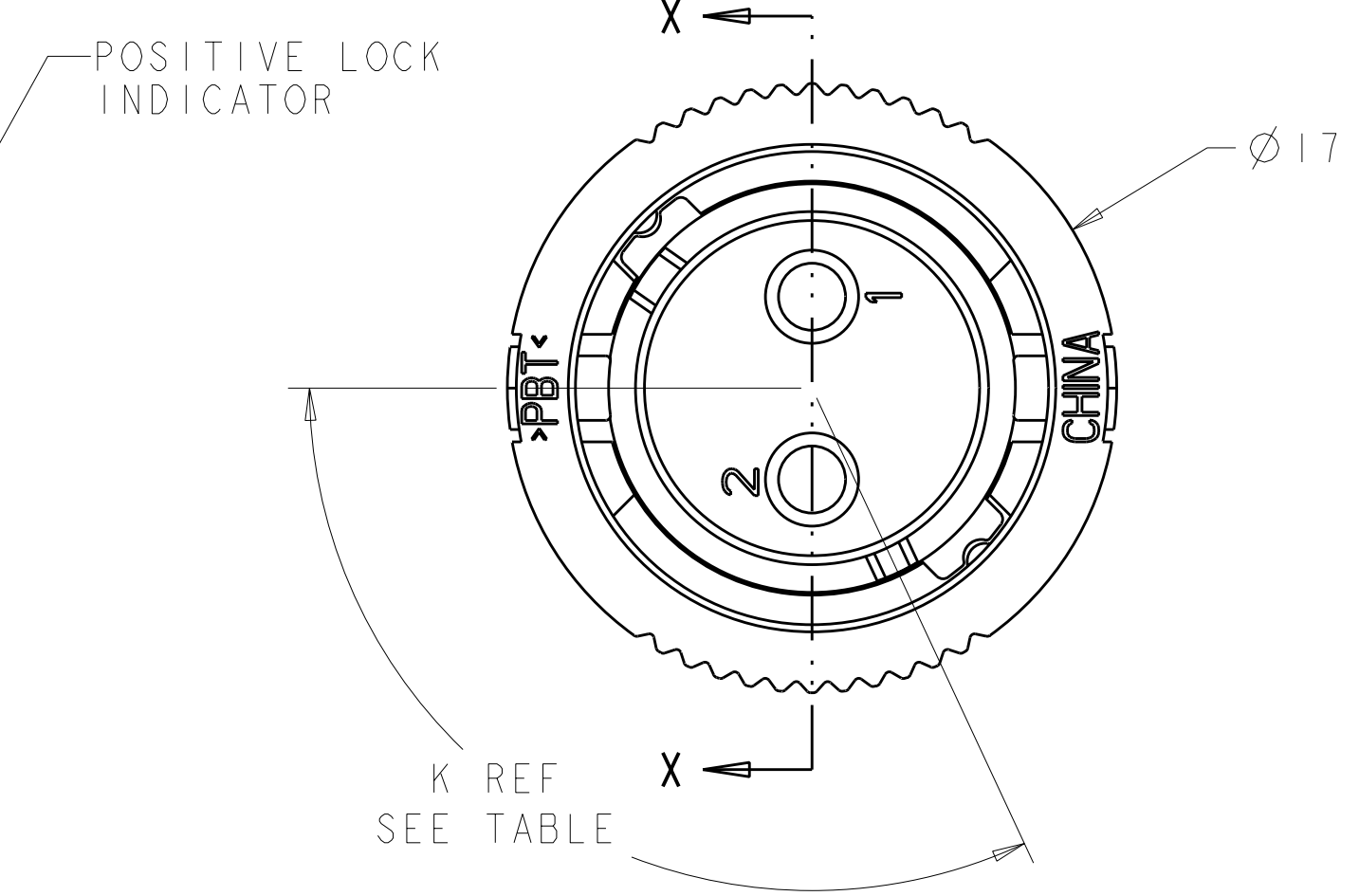
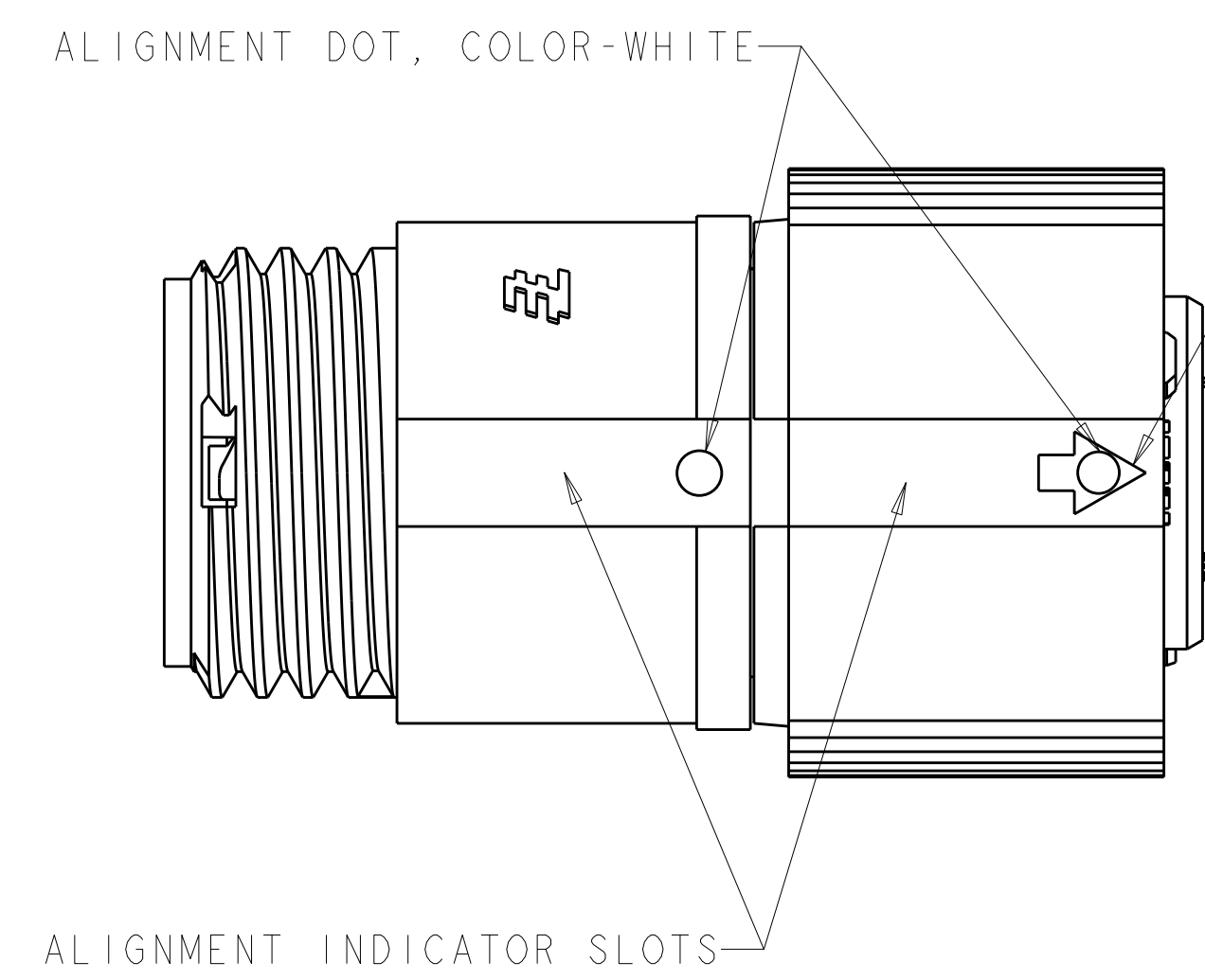
Tel: +86-755-8981 8866 Fax: +86-755-8427 6832

Email & Skype: info@chipsmall.com Web: www.chipsmall.com

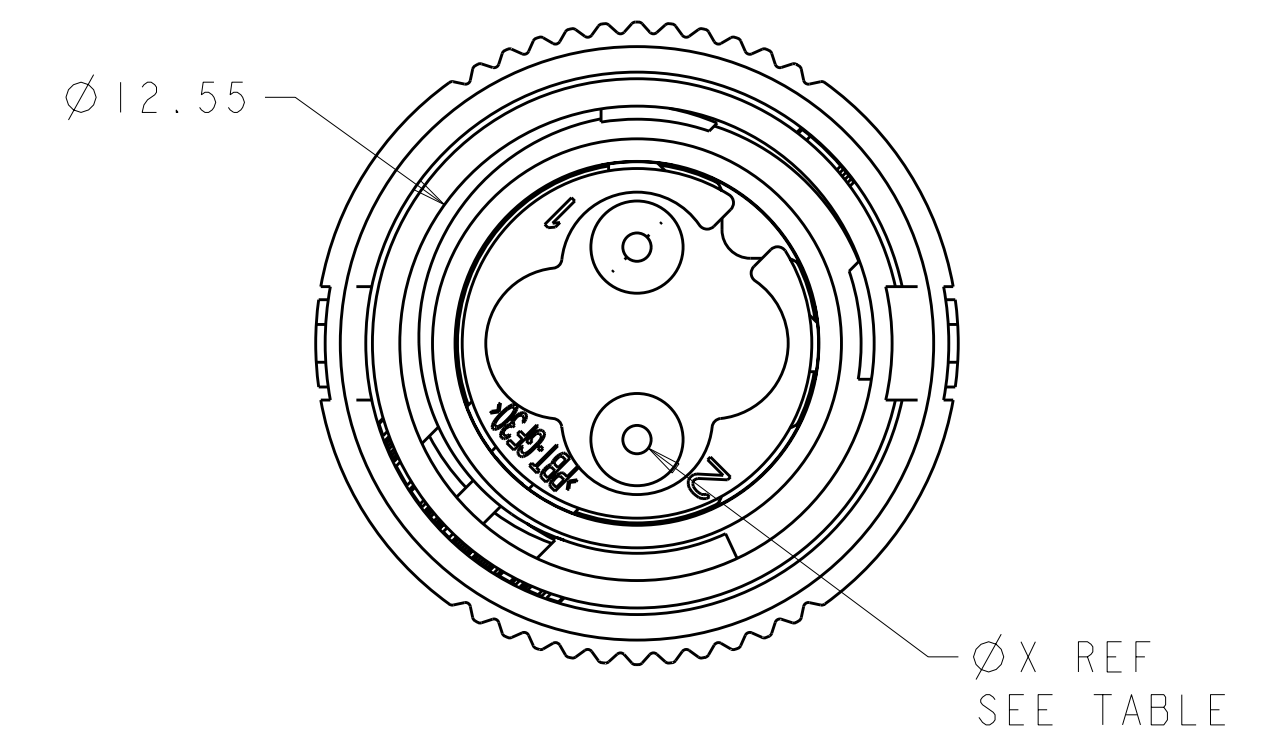
Address: A1208, Overseas Decoration Building, #122 Zhenhua RD., Futian, Shenzhen, China



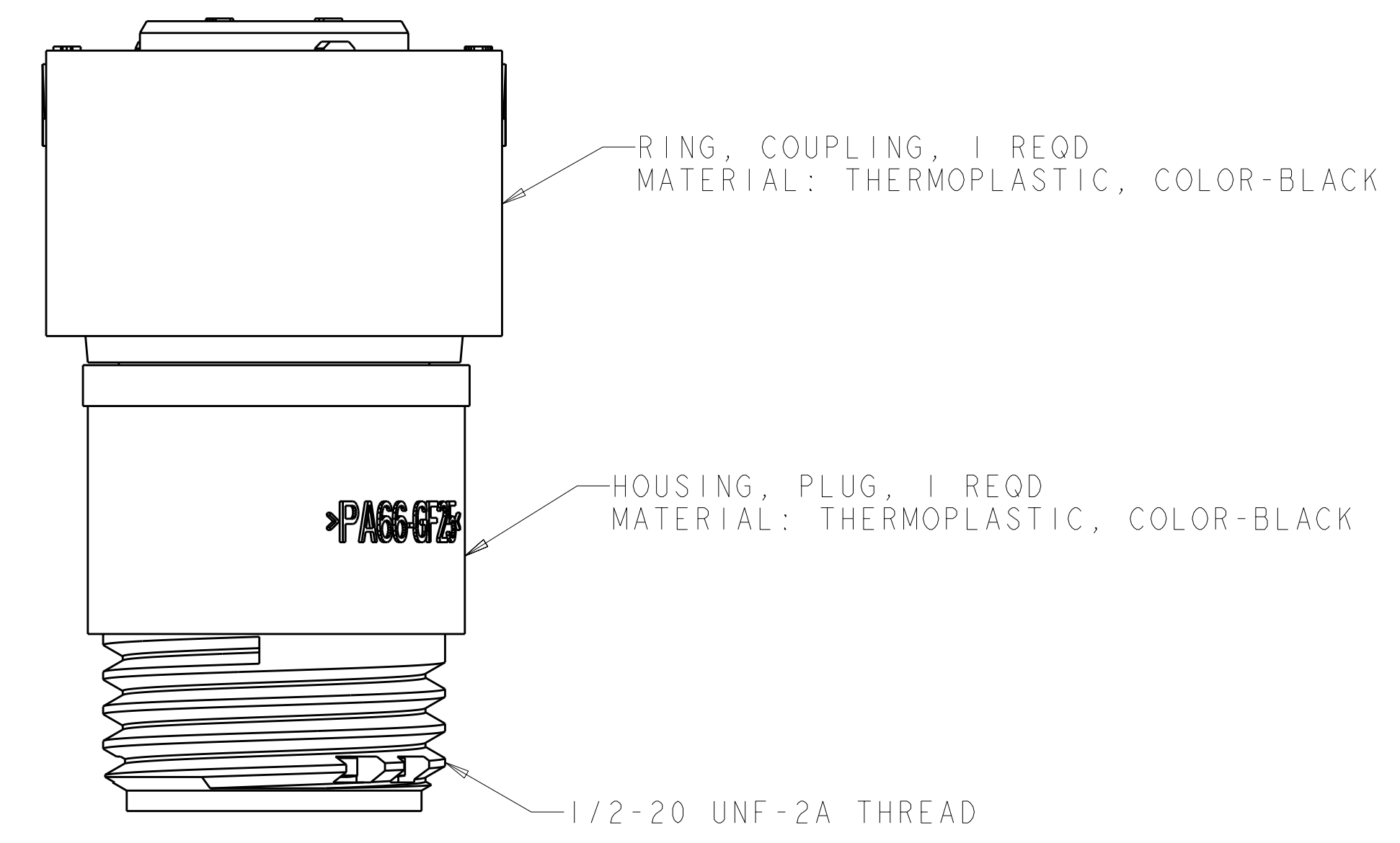
LOC	DIST	REV	DATE	BY	CHK	APPV
FT	0	B2	18MAR2011	RK	HMR	



RETAINER, SEAL, 1 REQD.  
 MATERIAL: THERMOPLASTIC, COLOR-BLACK



SEAL, WIRE ENTRY, 1 REQD  
 MATERIAL: ELASTOMER, COLOR-SEE TABLE



**QUALIFICATION TEST PENDING**

YELLOW	Ø 0.75	130°	1445535-04
NATURAL	Ø 1.5	115°	1445535-03
NATURAL	Ø 1.5	130°	1445535-02
YELLOW	Ø 0.75	115°	1445535-01
SEAL, WIRE ENTRY COLOR	Ø X REF	K REF	PART NUMBER

THIS DRAWING IS A CONTROLLED DOCUMENT.

DIMENSIONS: mm  
 TOLERANCES UNLESS OTHERWISE SPECIFIED:  
 0 PLC ±  
 1 PLC ±0.5  
 2 PLC ±0.13  
 3 PLC ±0.013  
 4 PLC ±0.001  
 ANGLES ±

MATERIAL: SEE CALLOUT  
 FINISH: SEE CALLOUT

DWN: S. WIEST 07MAY2001  
 CHK: G. DOUTY 07MAY2001  
 APVD: H. WAKEEM 12JUN2003

**STE** TE Connectivity  
 NAME: ASSEMBLY, PLUG, SIZE 8, 2 POSITION, SEALED, MINI CPC  
 SIZE: CAGE CODE DRAWING NO: A100779 C=1445535  
 RESTRICTED TO: -  
 CUSTOMER DRAWING SCALE: 5:1 SHEET 1 OF 1 REV: B2