



Chipsmall Limited consists of a professional team with an average of over 10 year of expertise in the distribution of electronic components. Based in Hongkong, we have already established firm and mutual-benefit business relationships with customers from,Europe,America and south Asia,supplying obsolete and hard-to-find components to meet their specific needs.

With the principle of "Quality Parts,Customers Priority,Honest Operation,and Considerate Service",our business mainly focus on the distribution of electronic components. Line cards we deal with include Microchip,ALPS,ROHM,Xilinx,Pulse,ON,Everlight and Freescale. Main products comprise IC,Modules,Potentiometer,IC Socket,Relay,Connector.Our parts cover such applications as commercial,industrial, and automotives areas.

We are looking forward to setting up business relationship with you and hope to provide you with the best service and solution. Let us make a better world for our industry!



## Contact us

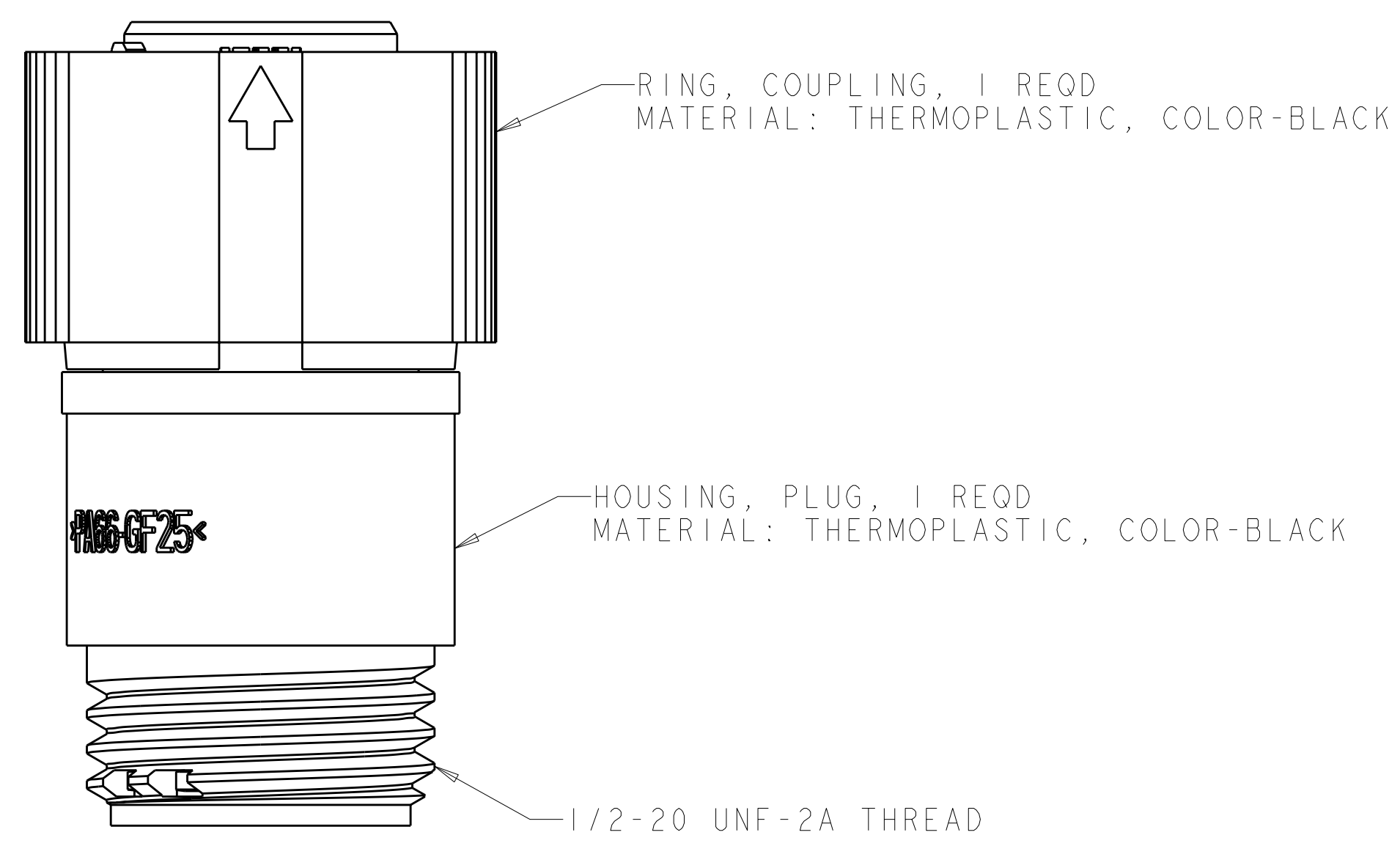
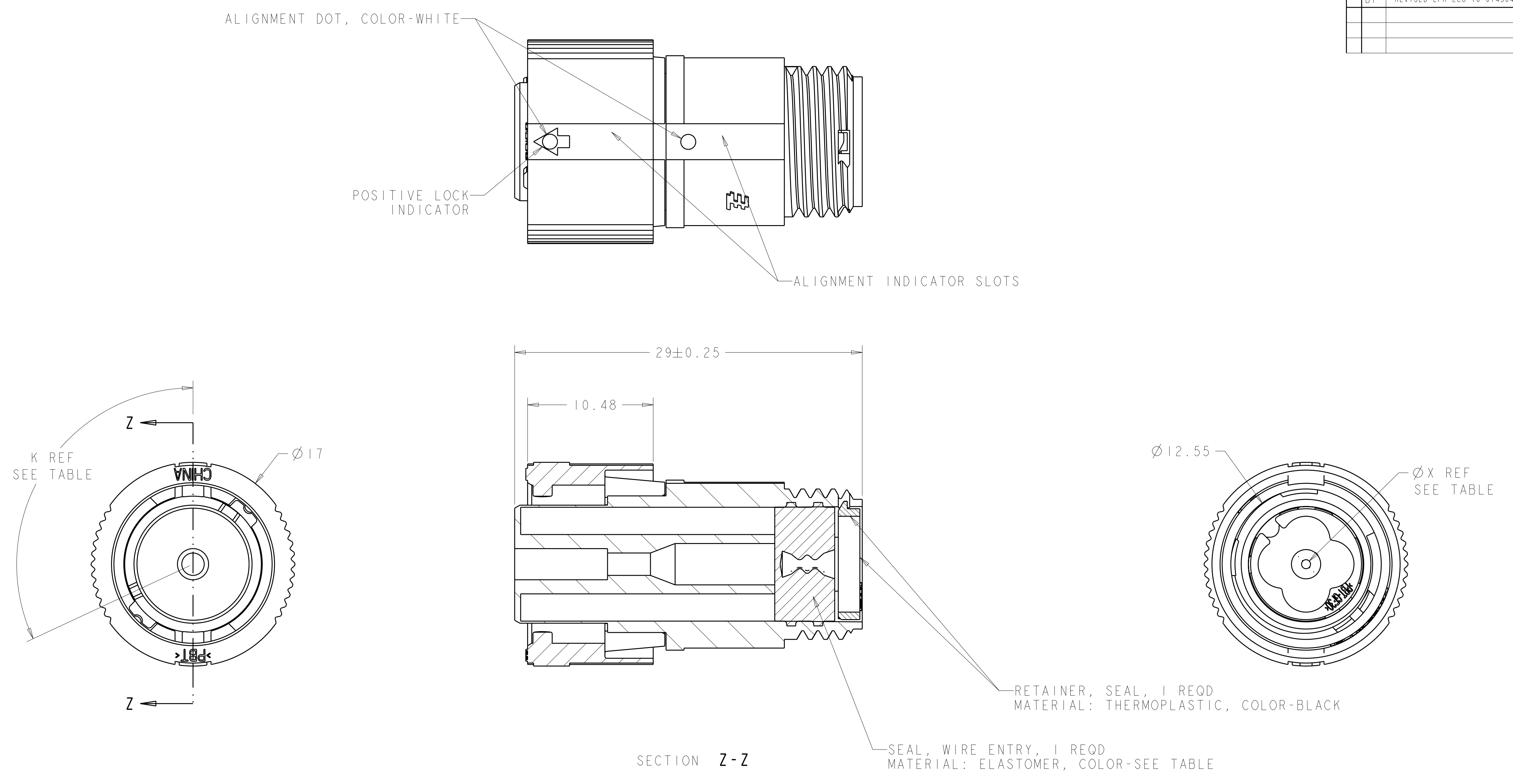
Tel: +86-755-8981 8866 Fax: +86-755-8427 6832

Email & Skype: info@chipsmall.com Web: www.chipsmall.com

Address: A1208, Overseas Decoration Building, #122 Zhenhua RD., Futian, Shenzhen, China



LOC	DIST	REVISIONS					
FT	0	P	LTR	DESCRIPTION	DATE	DWN	APVD
		B1		REVISED EPR ECO-10-014504	19OCT2010	HMR	MG



**QUALIFICATION TEST PENDING**

YELLOW	Ø0.75	130°	1445536-04
NATURAL	Ø1.5	115°	1445536-03
NATURAL	Ø1.5	130°	1445536-02
YELLOW	Ø0.75	115°	1445536-01
SEAL, WIRE ENTRY COLOR	ØX REF	K REF	PART NUMBER

<small>THIS DRAWING IS UNPUBLISHED. RELEASED FOR PUBLICATION. ALL RIGHTS RESERVED. THIS IS SUBJECT TO CHANGE WITHOUT NOTICE AND WITHOUT LIABILITY. TYCO ELECTRONICS CORPORATION SHALL BE CONTACTED FOR THE LATEST REVISION.</small>		DWN: S. WLEST 07MAY2001 CHK: G. DOUTY 07MAY2001 APVD: H. WAKEEM 12JUN2003	Tyco Electronics Harrisburg, PA 17105-3608
DIMENSIONS: mm 	TOLERANCES UNLESS OTHERWISE SPECIFIED: 9 PLC ±.5 1 PLC ±0.5 2 PLC ±0.13 3 PLC ±0.013 4 PLC ±0.0001 ANGLES ±.1	NAME: ASSEMBLY, PLUG, SIZE 7, 1 POSITION, SEALED MINI CPC PRODUCT SPEC: APPLICATION SPEC: WEIGHT: - FINISH: SEE CALLOUT	SIZE: A11 CAGE CODE: 00779 DRAWING NO: C=1445536 RESTRICTED TO: - SCALE: 5:1 SHEET: 1 OF 1 REV: B1
MATERIAL: SEE CALLOUT		CUSTOMER DRAWING	