



Chipsmall Limited consists of a professional team with an average of over 10 year of expertise in the distribution of electronic components. Based in Hongkong, we have already established firm and mutual-benefit business relationships with customers from,Europe,America and south Asia,supplying obsolete and hard-to-find components to meet their specific needs.

With the principle of “Quality Parts,Customers Priority,Honest Operation,and Considerate Service”,our business mainly focus on the distribution of electronic components. Line cards we deal with include Microchip,ALPS,ROHM,Xilinx,Pulse,ON,Everlight and Freescale. Main products comprise IC,Modules,Potentiometer,IC Socket,Relay,Connector.Our parts cover such applications as commercial,industrial, and automotives areas.

We are looking forward to setting up business relationship with you and hope to provide you with the best service and solution. Let us make a better world for our industry!



Contact us

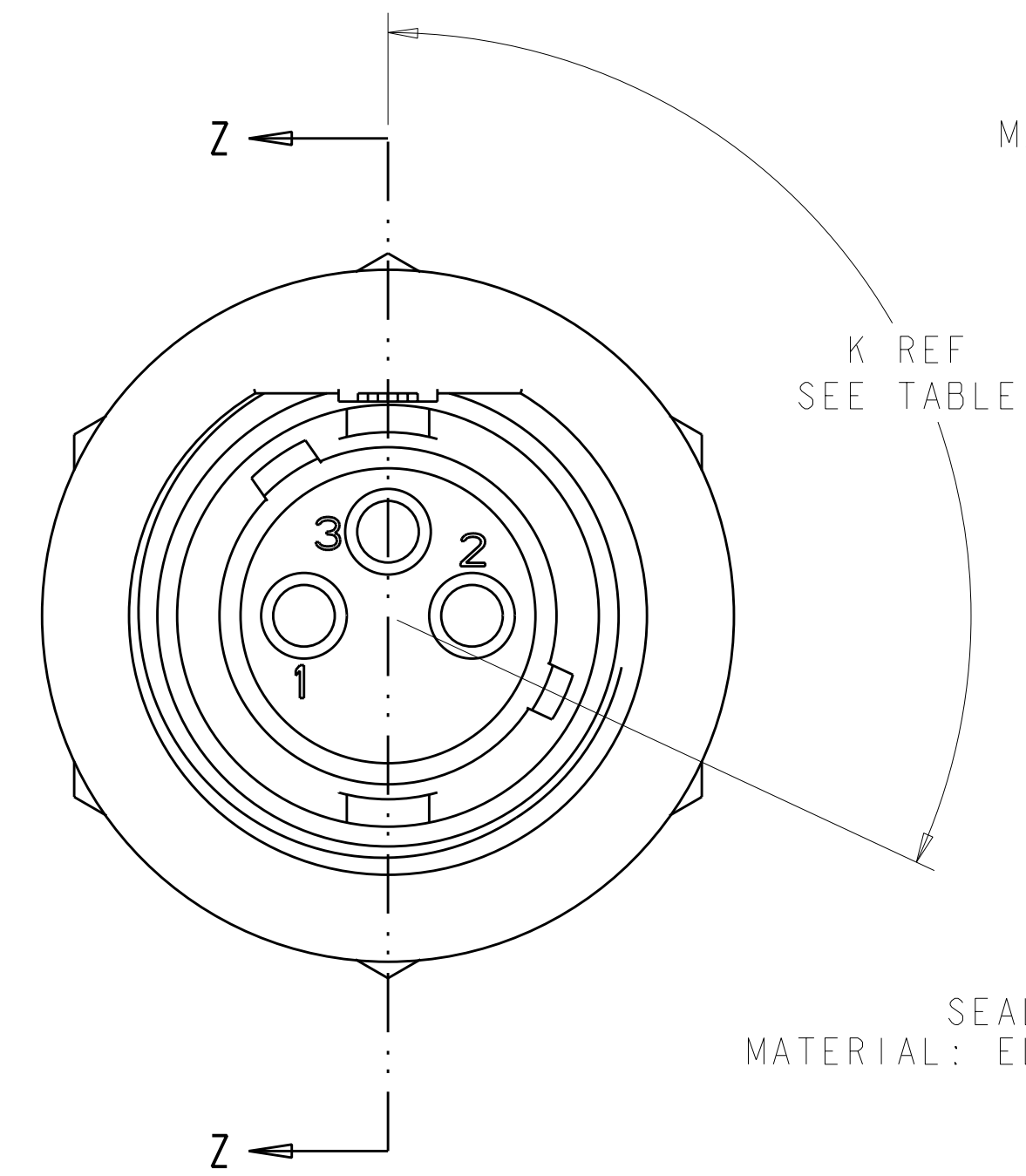
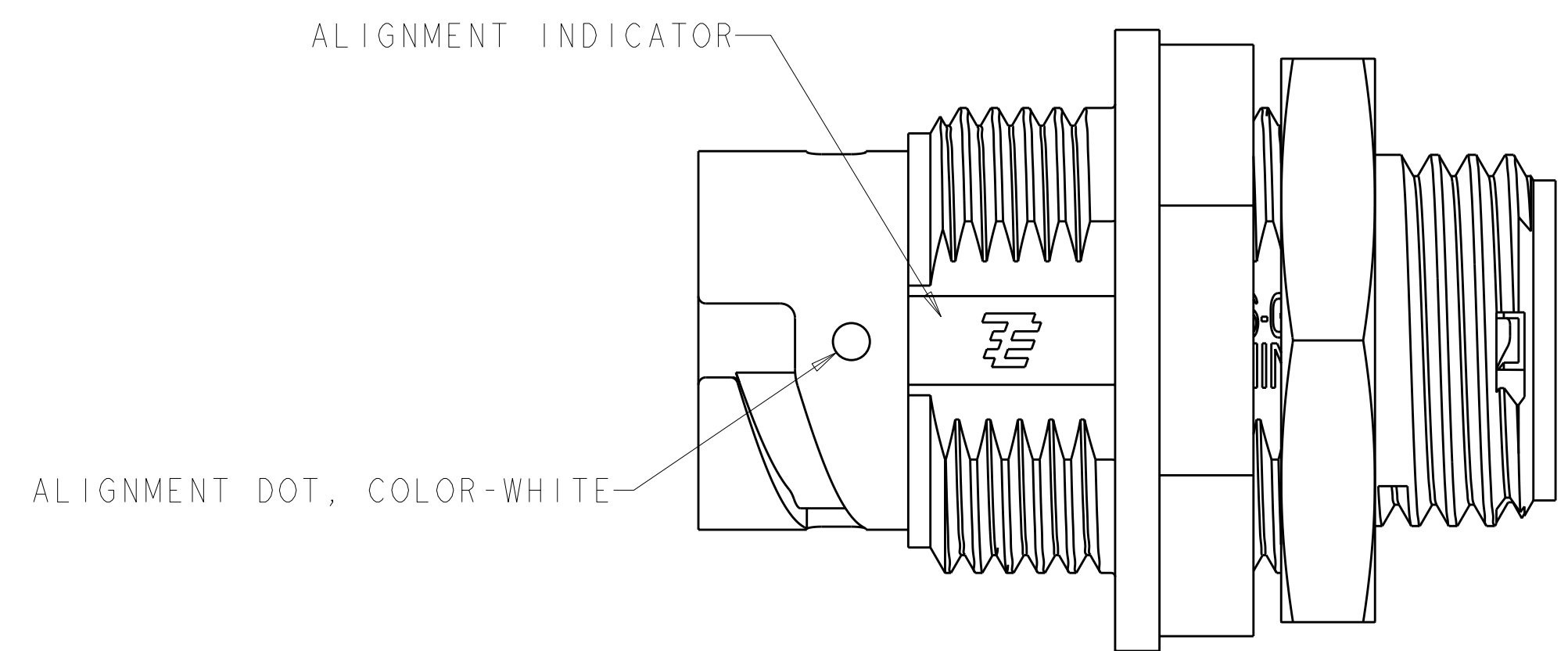
Tel: +86-755-8981 8866 Fax: +86-755-8427 6832

Email & Skype: info@chipsmall.com Web: www.chipsmall.com

Address: A1208, Overseas Decoration Building, #122 Zhenhua RD., Futian, Shenzhen, China

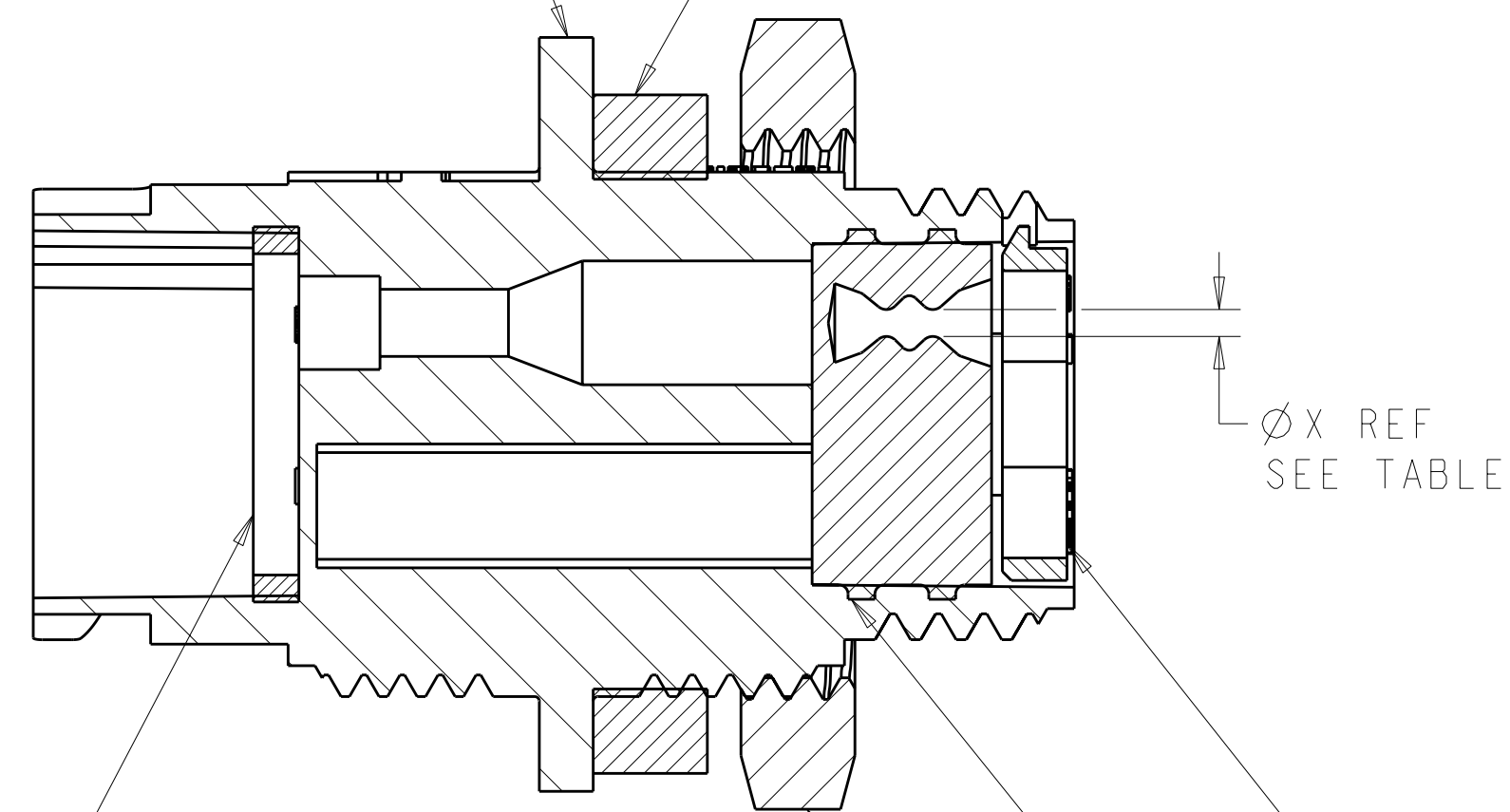


LOC	DIST	REV	DATE	BY	CHKD	APPD
FT	0	B2	19OCT2010	HMR	MG	



HOUSING, RECEPTACLE, QTY-1
 MATERIAL: THERMOPLASTIC, COLOR-BLACK

SEAL, PANEL; SHOWN FOR REFERENCE ONLY, TO BE ORDERED SEPARATELY, PART #1445420-01.

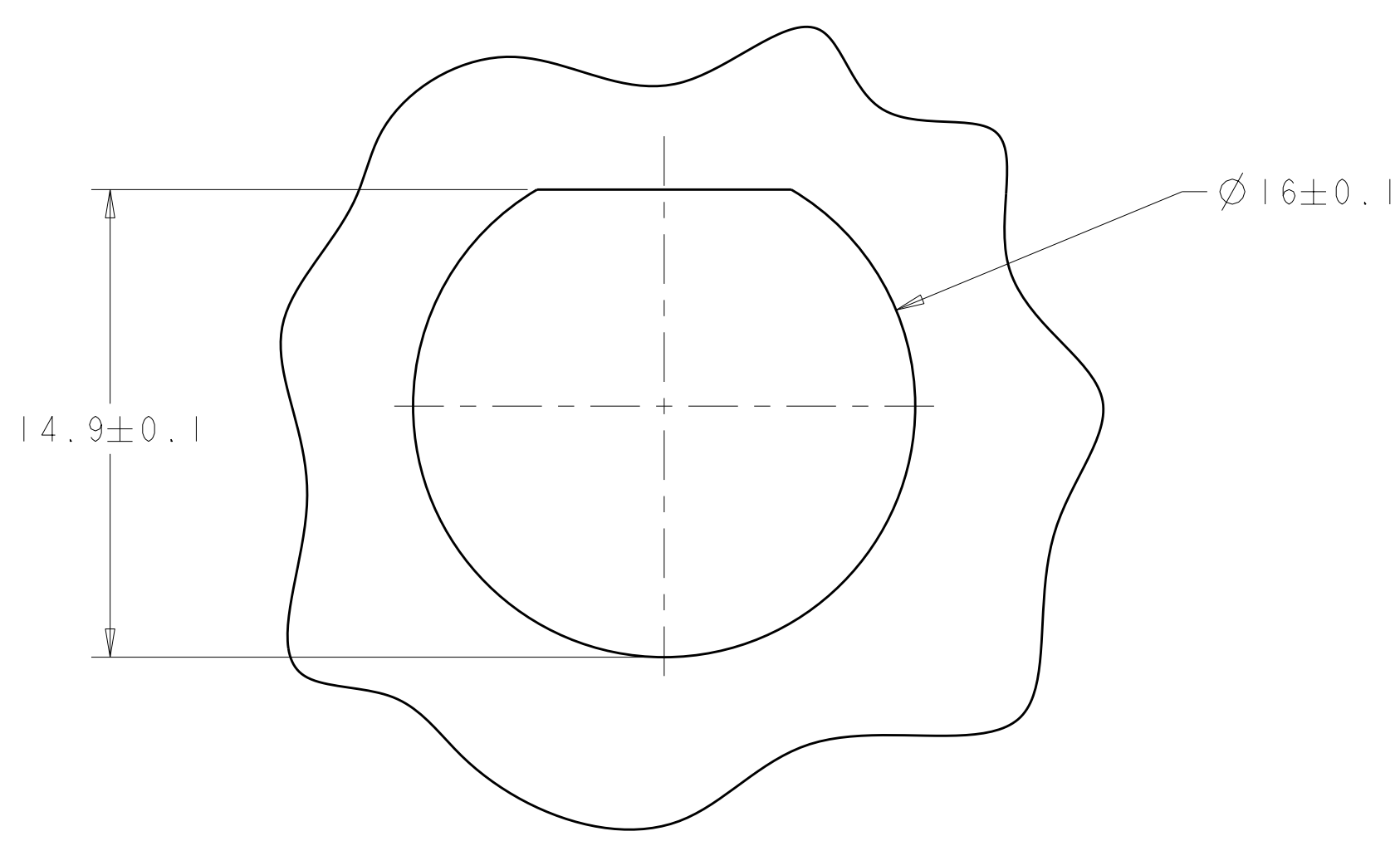
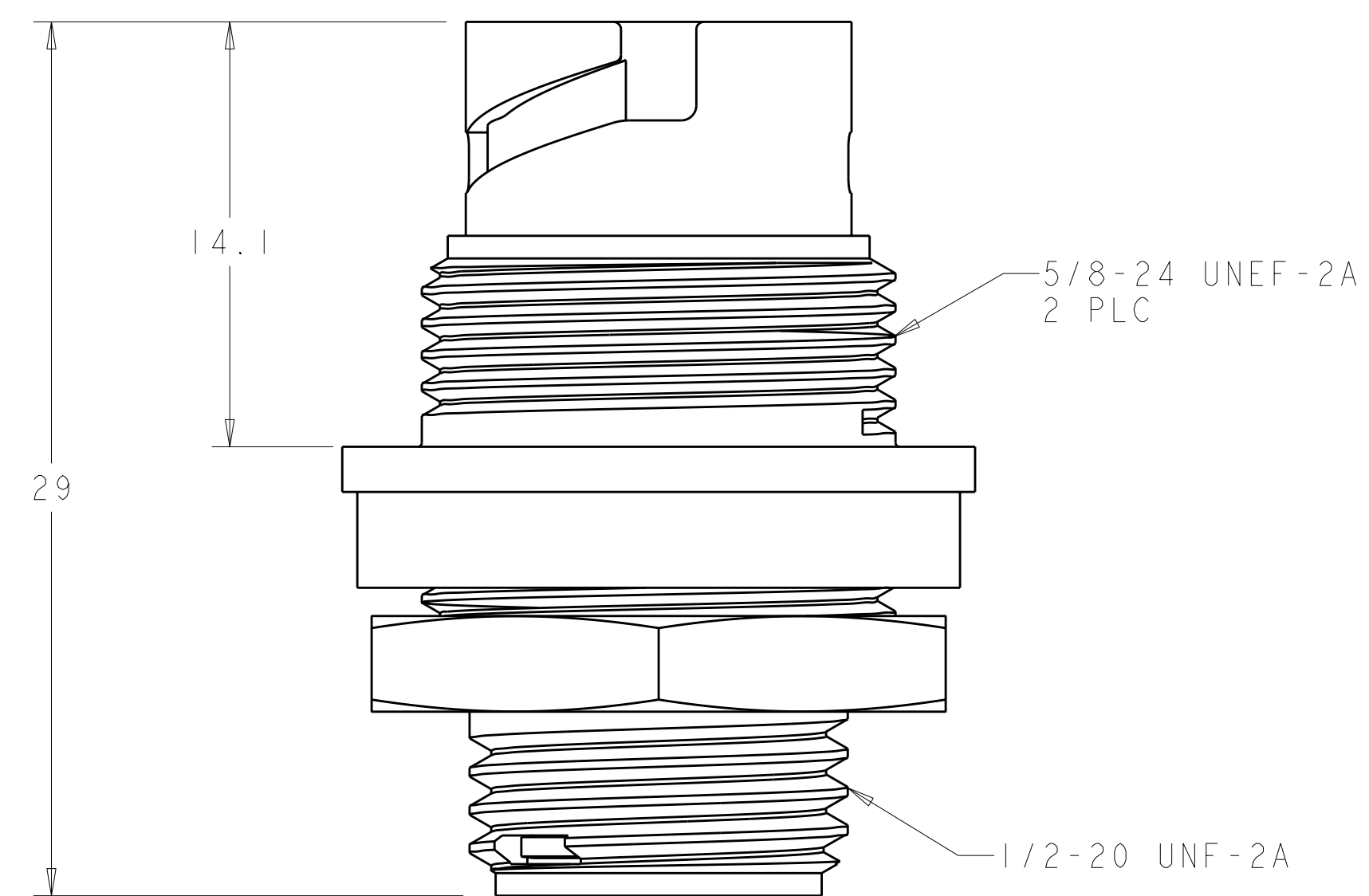
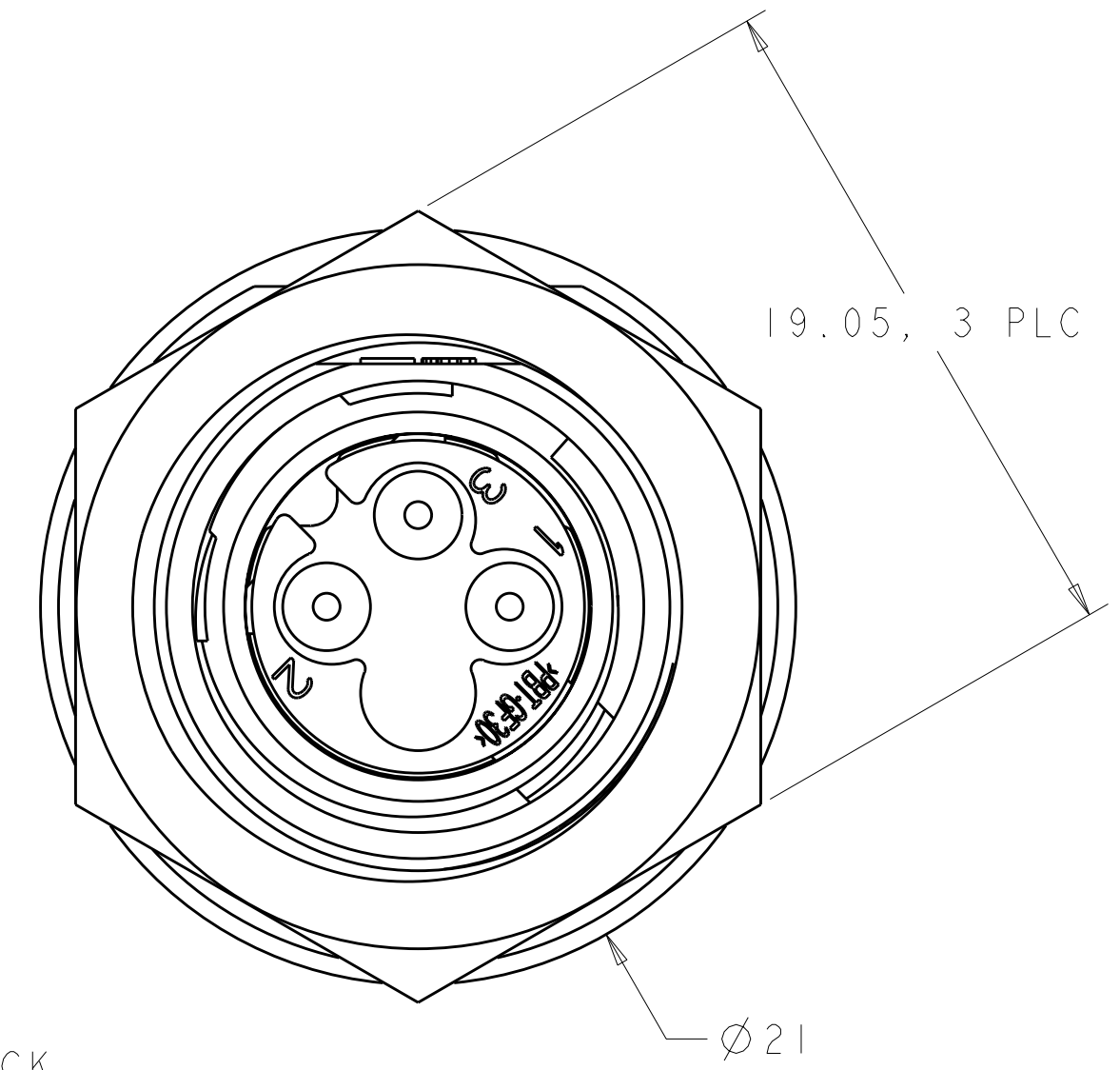


SEAL, PERIPHERAL, QTY-1
 MATERIAL: ELASTOMER, COLOR-GRAY

PLATE, SEAL, RETENTION, QTY-1
 MATERIAL: THERMOPLASTIC, COLOR-BLACK

SEAL, WIRE ENTRY, QTY-1
 MATERIAL: ELASTOMER, COLOR-SEE TABLE

JAM NUT, SHOWN FOR REFERENCE ONLY, TO BE ORDERED SEPARATELY, PART # 1604196-1



SUGGESTED PANEL CUTOUT

- 1. CONNECTOR CAN BE FRONT OR REAR PANEL MOUNTED.
- 2. MAX PANEL THICKNESS - 3.18
- 3. PRELIMINARY - NOT FOR PRODUCTION

QUALIFICATION TEST PENDING

RED	NATURAL	Ø 1.5	115°	1445537-05
BLACK	YELLOW	Ø 0.75	130°	1445537-04
BLACK	NATURAL	Ø 1.5	115°	1445537-03
BLACK	NATURAL	Ø 1.5	130°	1445537-02
BLACK	YELLOW	Ø 0.75	115°	1445537-01
HOUSING COLOR	SEAL, WIRE ENTRY COLOR	Ø X REF	K REF	PART NUMBER

DIMENSIONS: mm 		TOLERANCES UNLESS OTHERWISE SPECIFIED: 0 PLC ±.5 1 PLC ±0.13 2 PLC ±0.13 3 PLC ±0.013 4 PLC ±0.001 ANGLES ±.001		DWN: S. WIEST 07MAY2001 CHK: G. DOUTY 07MAY2001 APVD: H. WAKEEM 13JUN2003		Tyco Electronics Harrisburg, PA 17105-3608	
MATERIAL: - FINISH: -		WEIGHT: -		NAME: ASSEMBLY, RECEPTACLE, SIZE 8, 3 POSITION, PANEL MOUNT, MINI CPC		SIZE: A11 00779 C=1445537	
CUSTOMER DRAWING				SCALE: 5:1		SHEET: 1 OF 1 REV: B2	