



Chipsmall Limited consists of a professional team with an average of over 10 year of expertise in the distribution of electronic components. Based in Hongkong, we have already established firm and mutual-benefit business relationships with customers from,Europe,America and south Asia,supplying obsolete and hard-to-find components to meet their specific needs.

With the principle of “Quality Parts,Customers Priority,Honest Operation,and Considerate Service”,our business mainly focus on the distribution of electronic components. Line cards we deal with include Microchip,ALPS,ROHM,Xilinx,Pulse,ON,Everlight and Freescale. Main products comprise IC,Modules,Potentiometer,IC Socket,Relay,Connector.Our parts cover such applications as commercial,industrial, and automotives areas.

We are looking forward to setting up business relationship with you and hope to provide you with the best service and solution. Let us make a better world for our industry!



Contact us

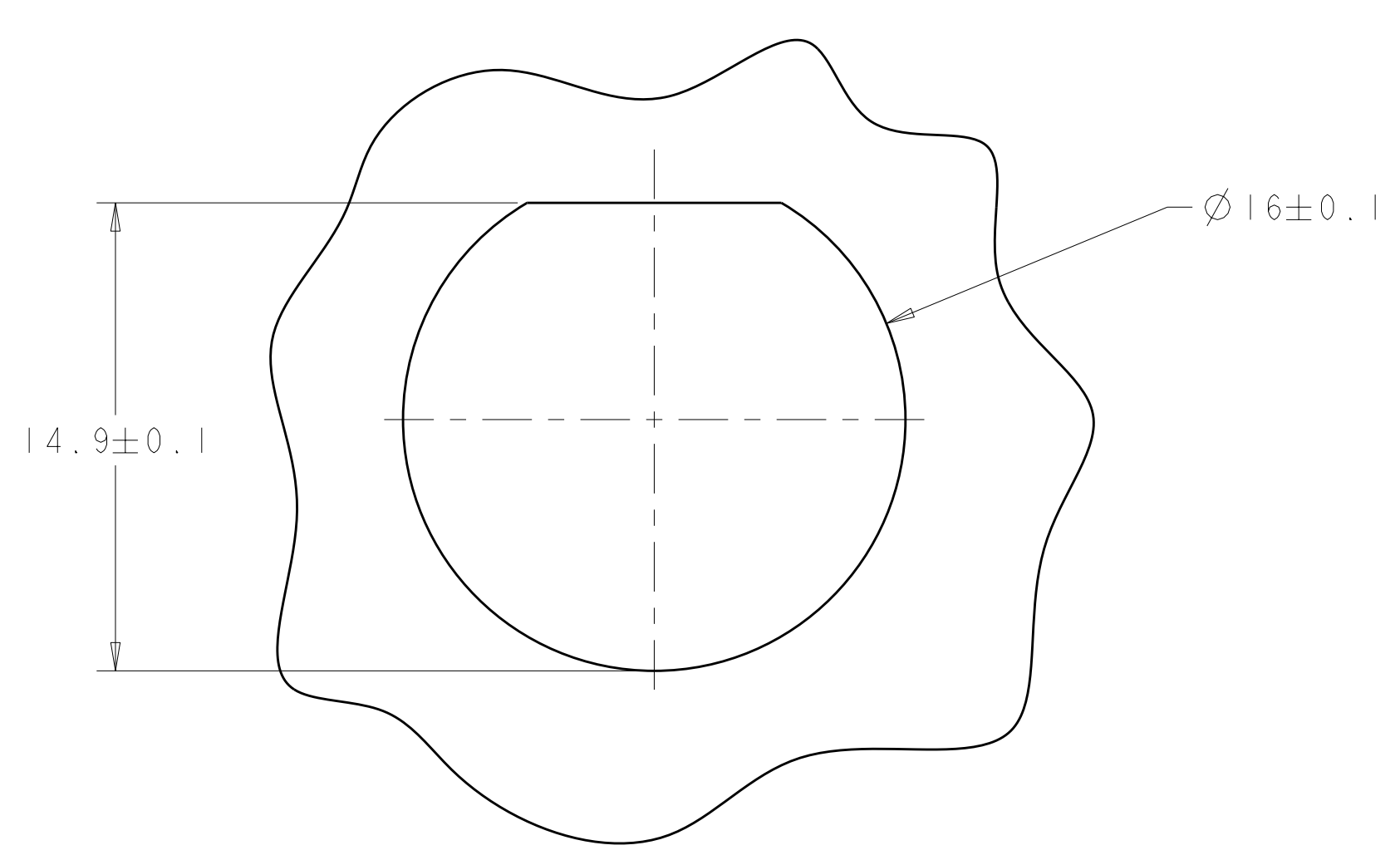
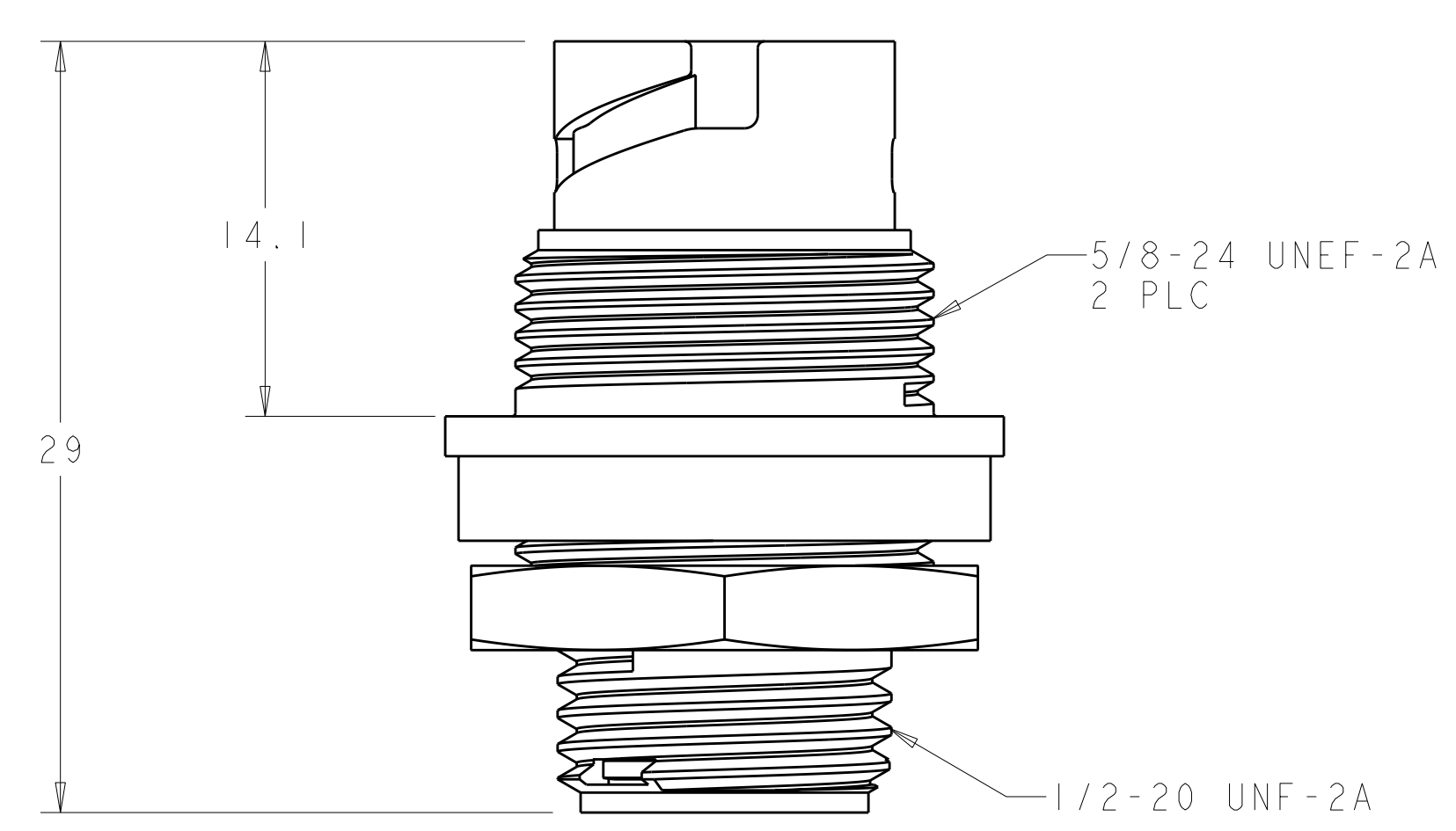
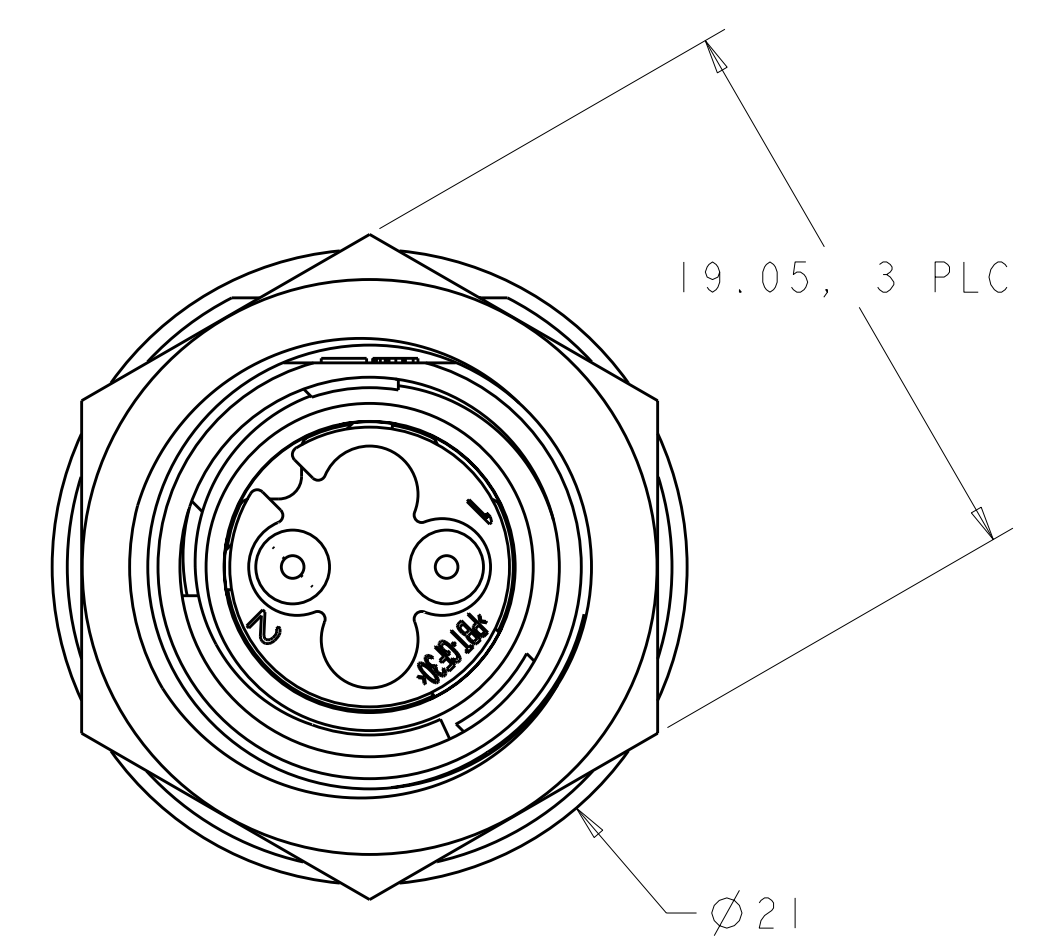
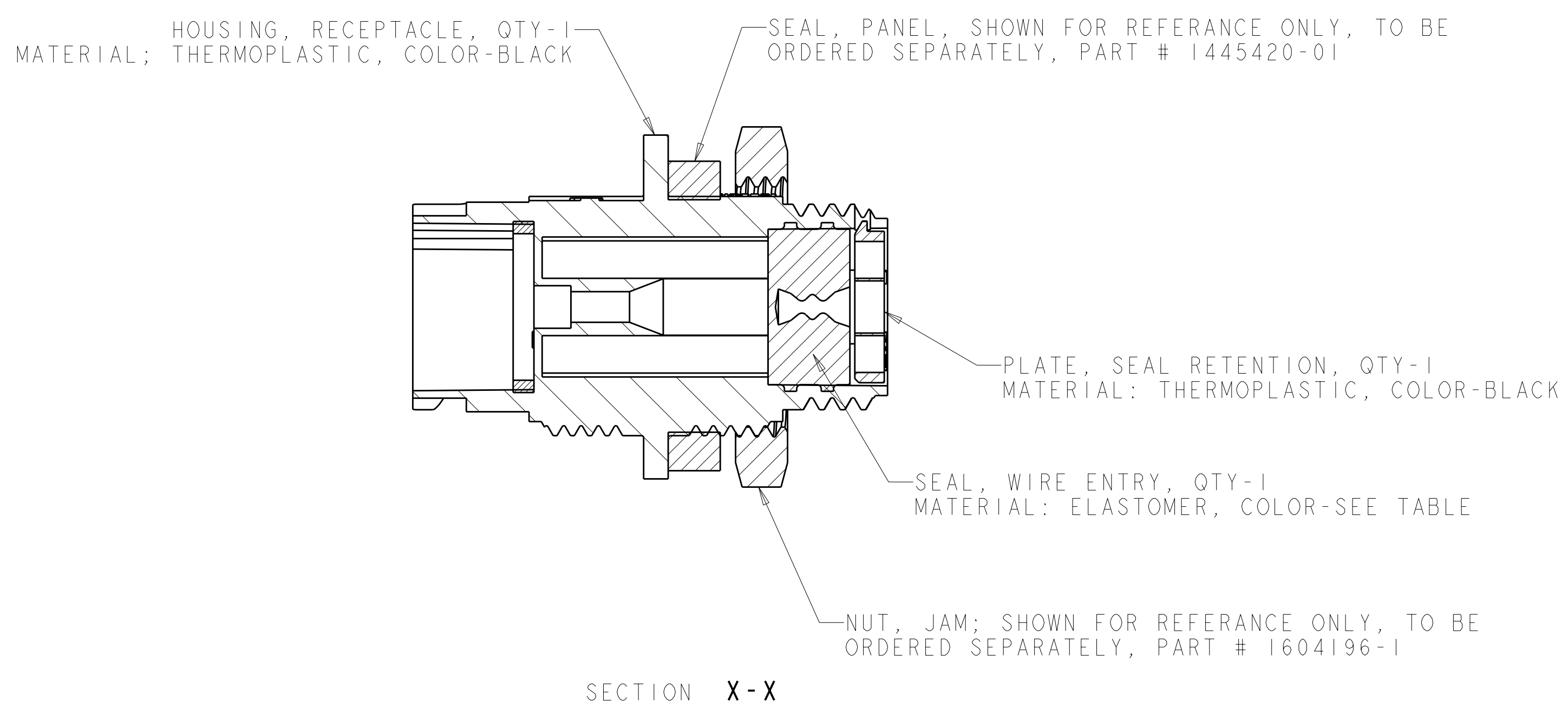
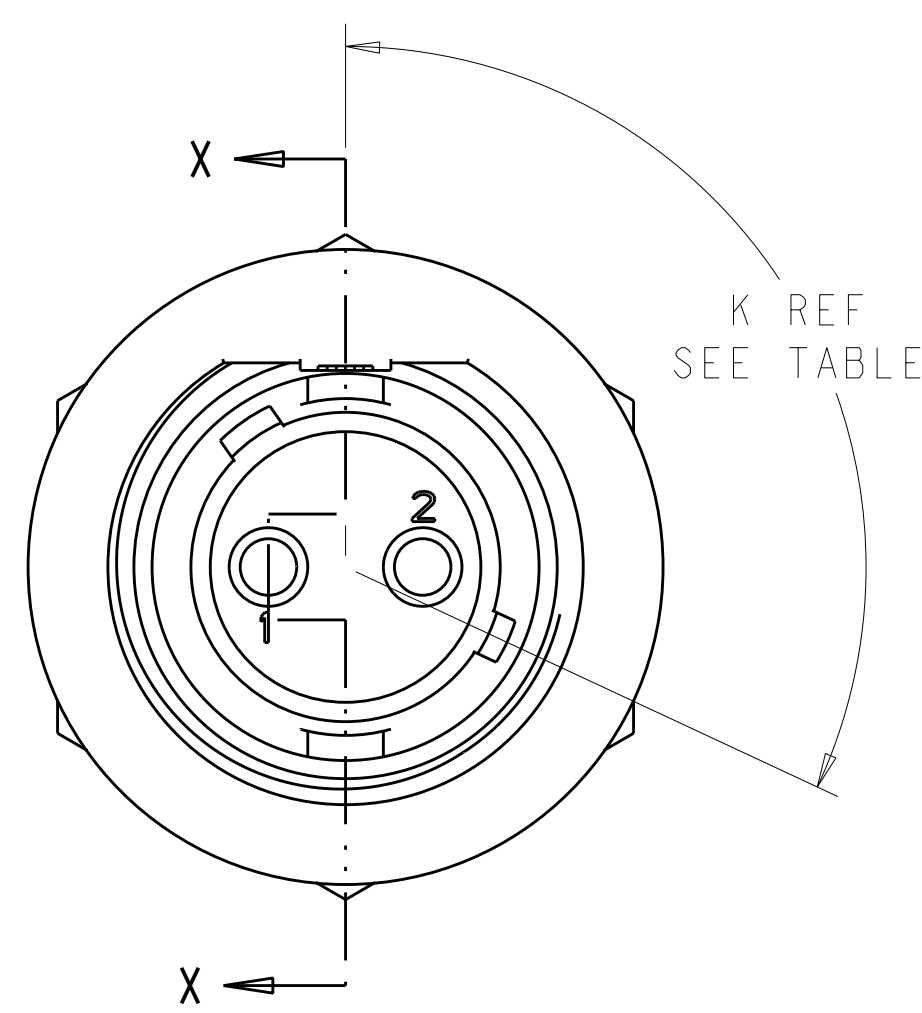
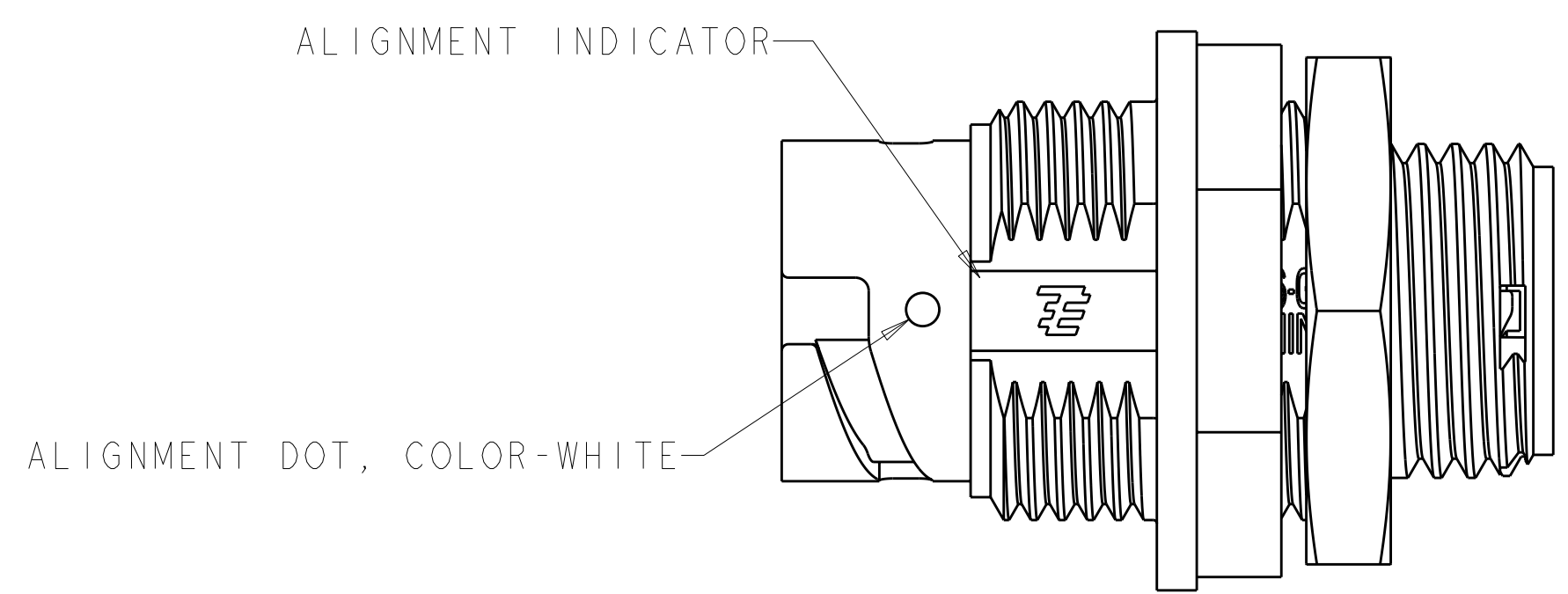
Tel: +86-755-8981 8866 Fax: +86-755-8427 6832

Email & Skype: info@chipsmall.com Web: www.chipsmall.com

Address: A1208, Overseas Decoration Building, #122 Zhenhua RD., Futian, Shenzhen, China



LOC	DIST	REVISIONS			
REV	DATE	DESCRIPTION	DATE	DWN	APVD
FT	0				
B2		REVISED PER ECO-11-004917	12MAR2011	RK	HMR



1. CONNECTOR CAN BE FRONT OR REAR PANEL MOUNTED.
 △ MAX PANEL THICKNESS-3.18

QUALIFICATION TEST PENDING

YELLOW	Ø0.75	130°	1445538-04
NATURAL	Ø1.5	115°	1445538-03
NATURAL	Ø1.5	130°	1445538-02
YELLOW	Ø0.75	115°	1445538-01
SEAL, WIRE ENTRY COLOR	ØX REF	K REF	PART NUMBER

THIS DRAWING IS A CONTROLLED DOCUMENT.		DWN: S. WIEST 08MAY2001	TE Connectivity
DIMENSIONS: mm		CHK: G. DOUITY 08MAY2001	
TOLERANCES UNLESS OTHERWISE SPECIFIED:		APVD: H. WAKEEM 13JUN2003	NAME: ASSEMBLY, RECEPTACLE, SIZE 8, 2 POSITION, PANEL MOUNT MINI CPC
0 PLC ±.5 1 PLC ±0.13 2 PLC ±0.13 3 PLC ±0.013 4 PLC ±0.001 ANGLES ±.1		PRODUCT SPEC: -	SIZE: A100779
MATERIAL: SEE CALLOUT		APPLICATION SPEC: -	DRAWING NO: C=1445538
		WEIGHT: -	RESTRICTED TO: -
		CUSTOMER DRAWING	SCALE: 4:1 SHEET 1 OF 1 REV: B2