



Chipsmall Limited consists of a professional team with an average of over 10 year of expertise in the distribution of electronic components. Based in Hongkong, we have already established firm and mutual-benefit business relationships with customers from,Europe,America and south Asia,supplying obsolete and hard-to-find components to meet their specific needs.

With the principle of “Quality Parts,Customers Priority,Honest Operation,and Considerate Service”,our business mainly focus on the distribution of electronic components. Line cards we deal with include Microchip,ALPS,ROHM,Xilinx,Pulse,ON,Everlight and Freescale. Main products comprise IC,Modules,Potentiometer,IC Socket,Relay,Connector.Our parts cover such applications as commercial,industrial, and automotives areas.

We are looking forward to setting up business relationship with you and hope to provide you with the best service and solution. Let us make a better world for our industry!



Contact us

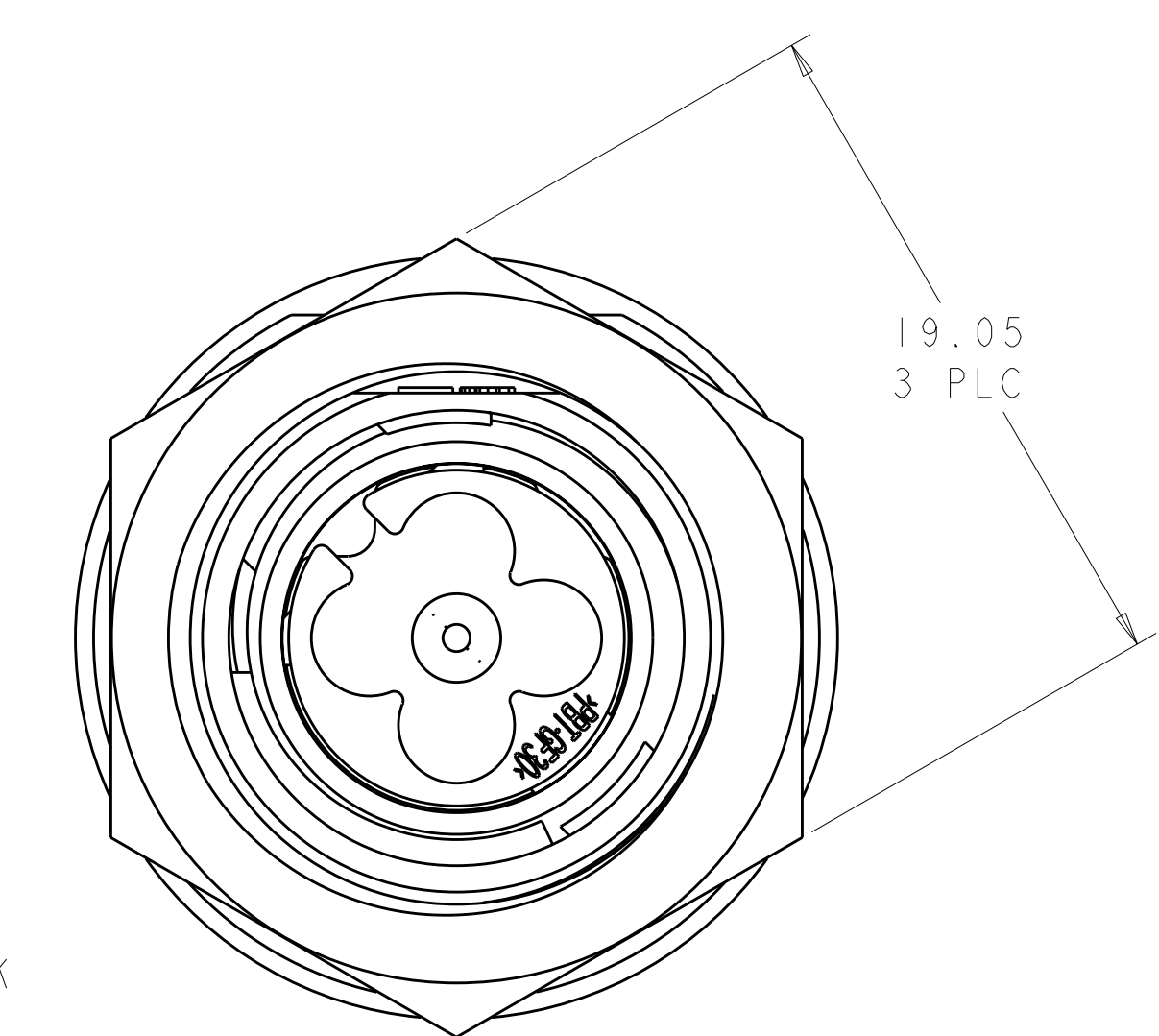
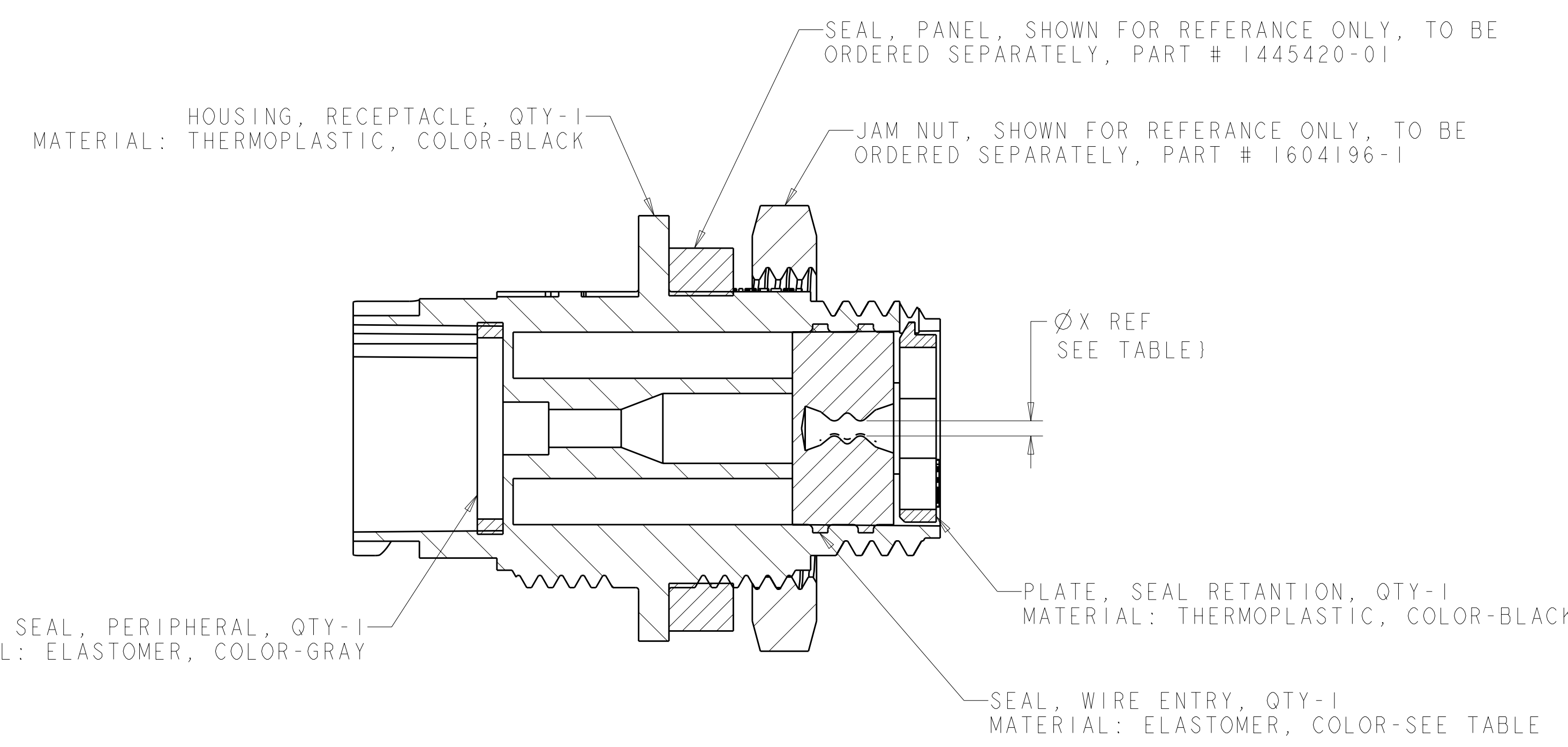
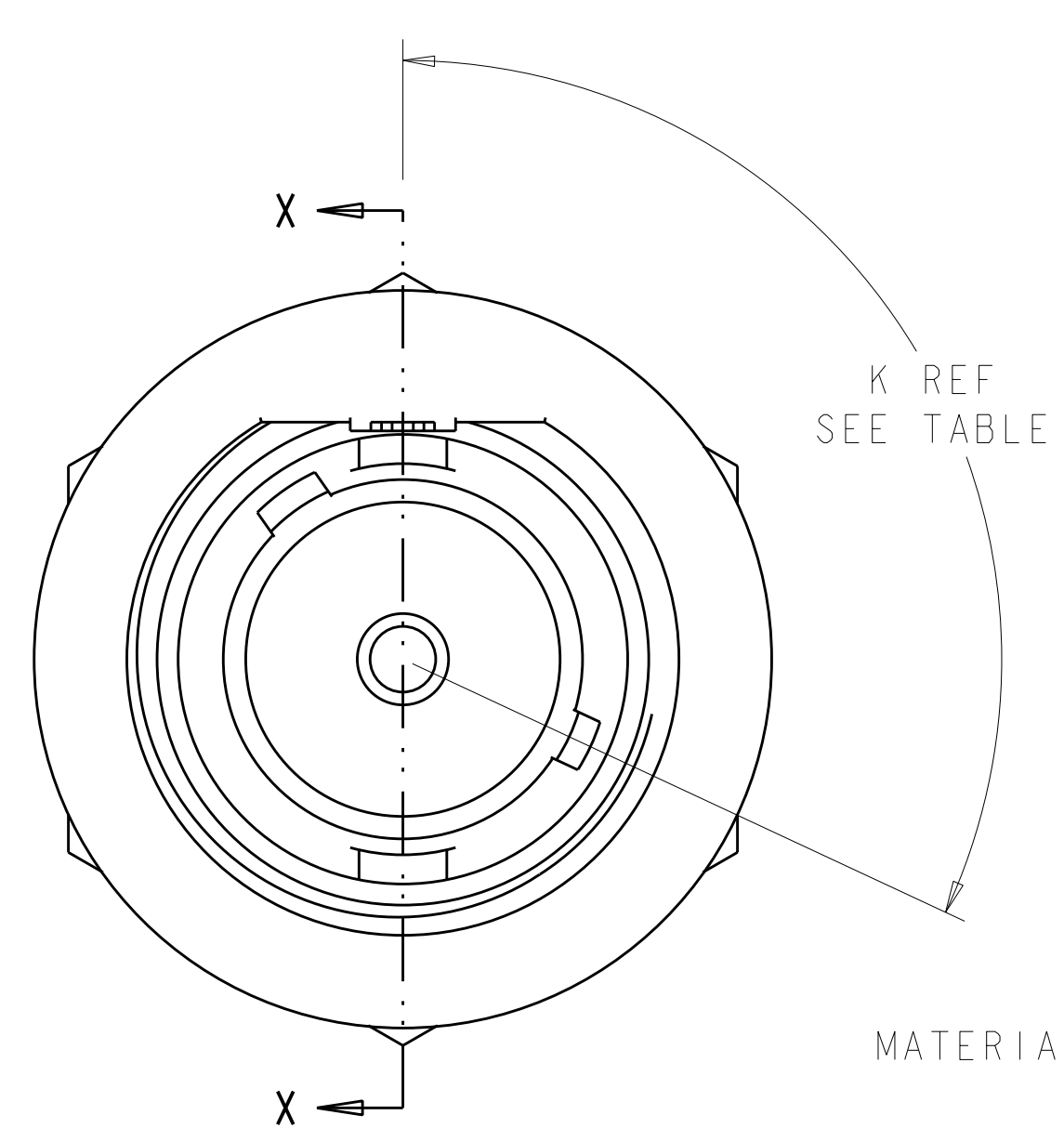
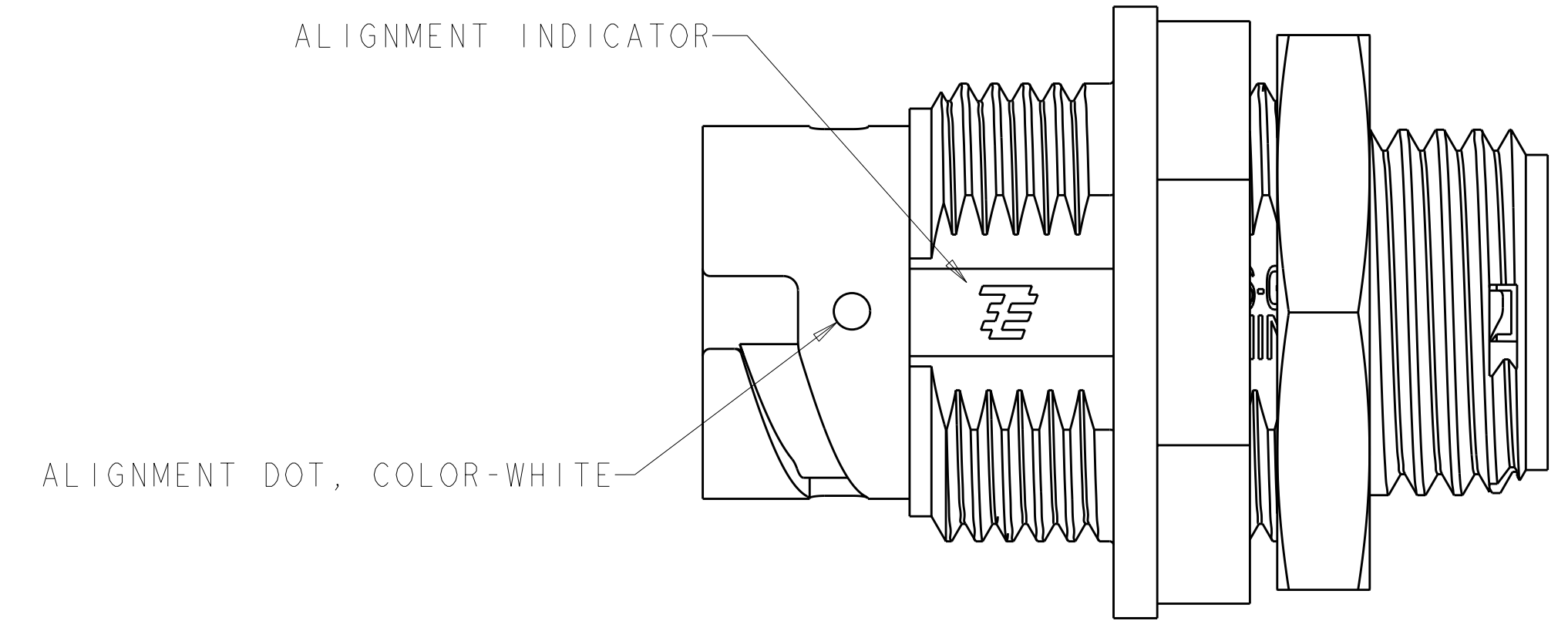
Tel: +86-755-8981 8866 Fax: +86-755-8427 6832

Email & Skype: info@chipsmall.com Web: www.chipsmall.com

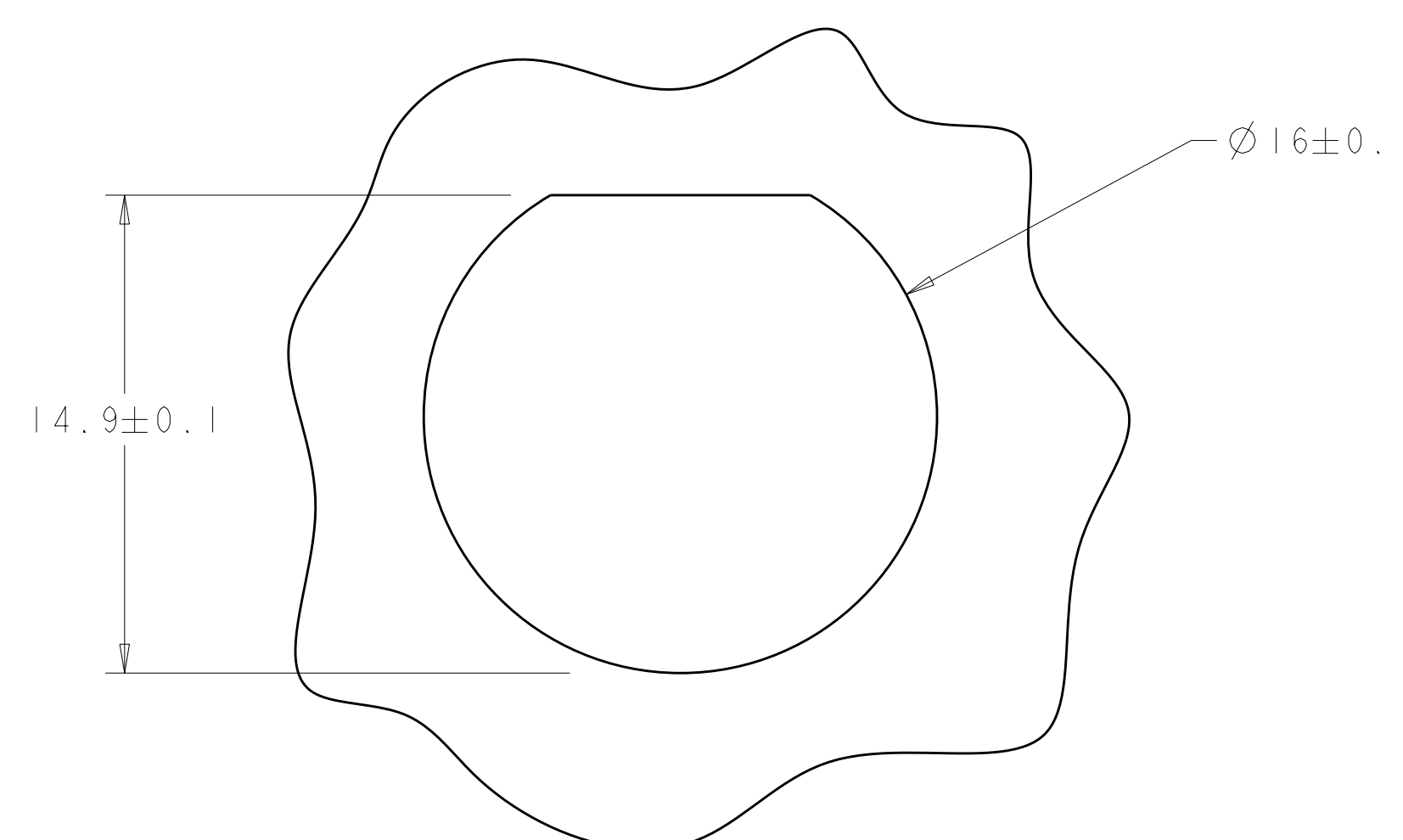
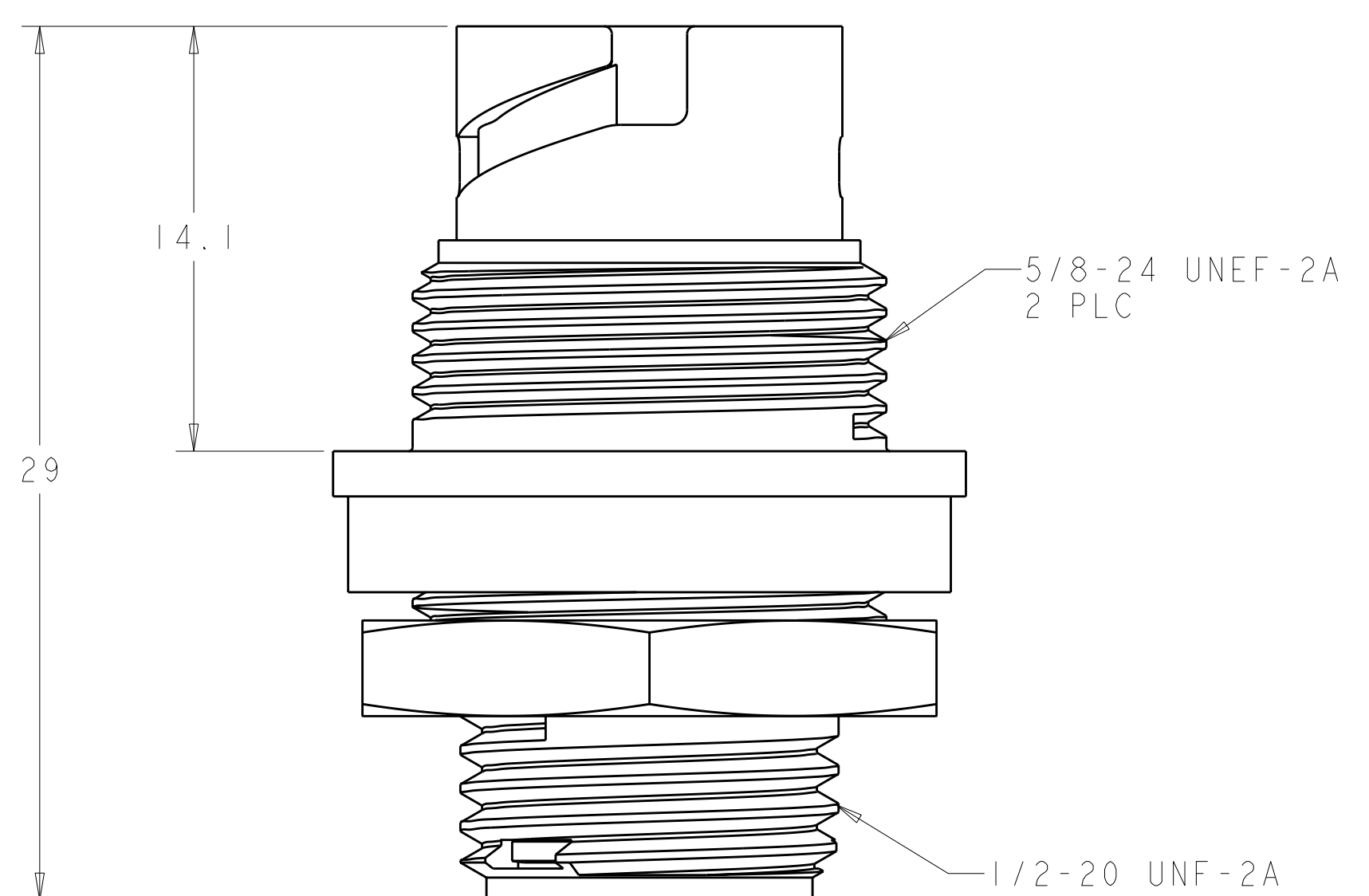
Address: A1208, Overseas Decoration Building, #122 Zhenhua RD., Futian, Shenzhen, China



LOC		DIST		REVISIONS			
FT	0	P	LTB	DESCRIPTION	DATE	DWN	APVD
		B1		REVISED PER ECO-10-014504	19OCT2010	HMR	MG



SECTION X-X



SUGGESTED PANEL CUTOUT

1. CONNECTOR CAN BE FRONT OR REAR PANEL MOUNTED.
 △ MAX PANEL THICKNESS - 3.18

QUALIFICATION TEST PENDING

YELLOW	Ø 0.75	130°	1445539-04
NATURAL	Ø 1.5	115°	1445539-03
NATURAL	Ø 1.5	130°	1445539-02
YELLOW	Ø 0.75	115°	1445539-01
SEAL, WIRE ENTRY COLOR	Ø X REF	K REF	PART NUMBER

DIMENSIONS:		TOLERANCES UNLESS OTHERWISE SPECIFIED:		DWN		Tyco Electronics	
mm	9 PLC ±0.5	9 PLC ±0.5	9 PLC ±0.5	S. WIEST	08MAY2001	Tyco Electronics Harrisburg, PA 17105-3608	
	2 PLC ±0.13	2 PLC ±0.13	2 PLC ±0.13	G. DOUTY	08MAY2001	NAME ASSEMBLY, RECEPTACLE, SIZE 8, POSITION, PANEL MOUNT, MINI CPC	
	5 PLC ±0.013	5 PLC ±0.013	5 PLC ±0.013	H. WAKEEM	13JUN2003	SIZE CAGE CODE DRAWING NO RESTRICTED TO	
	4 PLC ±0.0001	4 PLC ±0.0001	4 PLC ±0.0001			A11 00779 C=1445539	
MATERIAL	SEE CALLOUT	FINISH	-	WEIGHT	-	SCALE 5:1 SHEET 1 OF 1 REV B1	
CUSTOMER DRAWING							