



Chipsmall Limited consists of a professional team with an average of over 10 year of expertise in the distribution of electronic components. Based in Hongkong, we have already established firm and mutual-benefit business relationships with customers from,Europe,America and south Asia,supplying obsolete and hard-to-find components to meet their specific needs.

With the principle of “Quality Parts,Customers Priority,Honest Operation,and Considerate Service”,our business mainly focus on the distribution of electronic components. Line cards we deal with include Microchip,ALPS,ROHM,Xilinx,Pulse,ON,Everlight and Freescale. Main products comprise IC,Modules,Potentiometer,IC Socket,Relay,Connector.Our parts cover such applications as commercial,industrial, and automotives areas.

We are looking forward to setting up business relationship with you and hope to provide you with the best service and solution. Let us make a better world for our industry!



Contact us

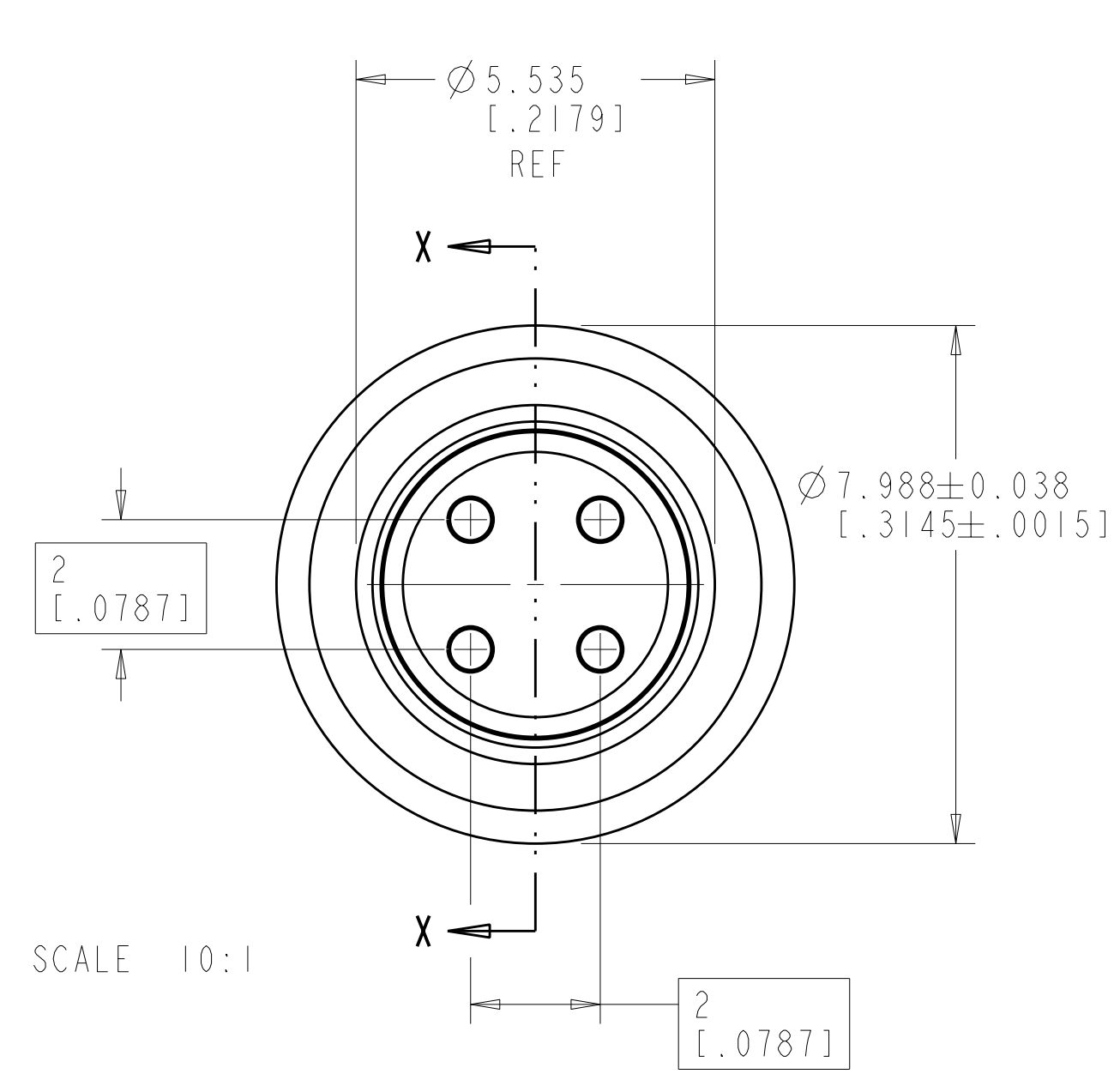
Tel: +86-755-8981 8866 Fax: +86-755-8427 6832

Email & Skype: info@chipsmall.com Web: www.chipsmall.com

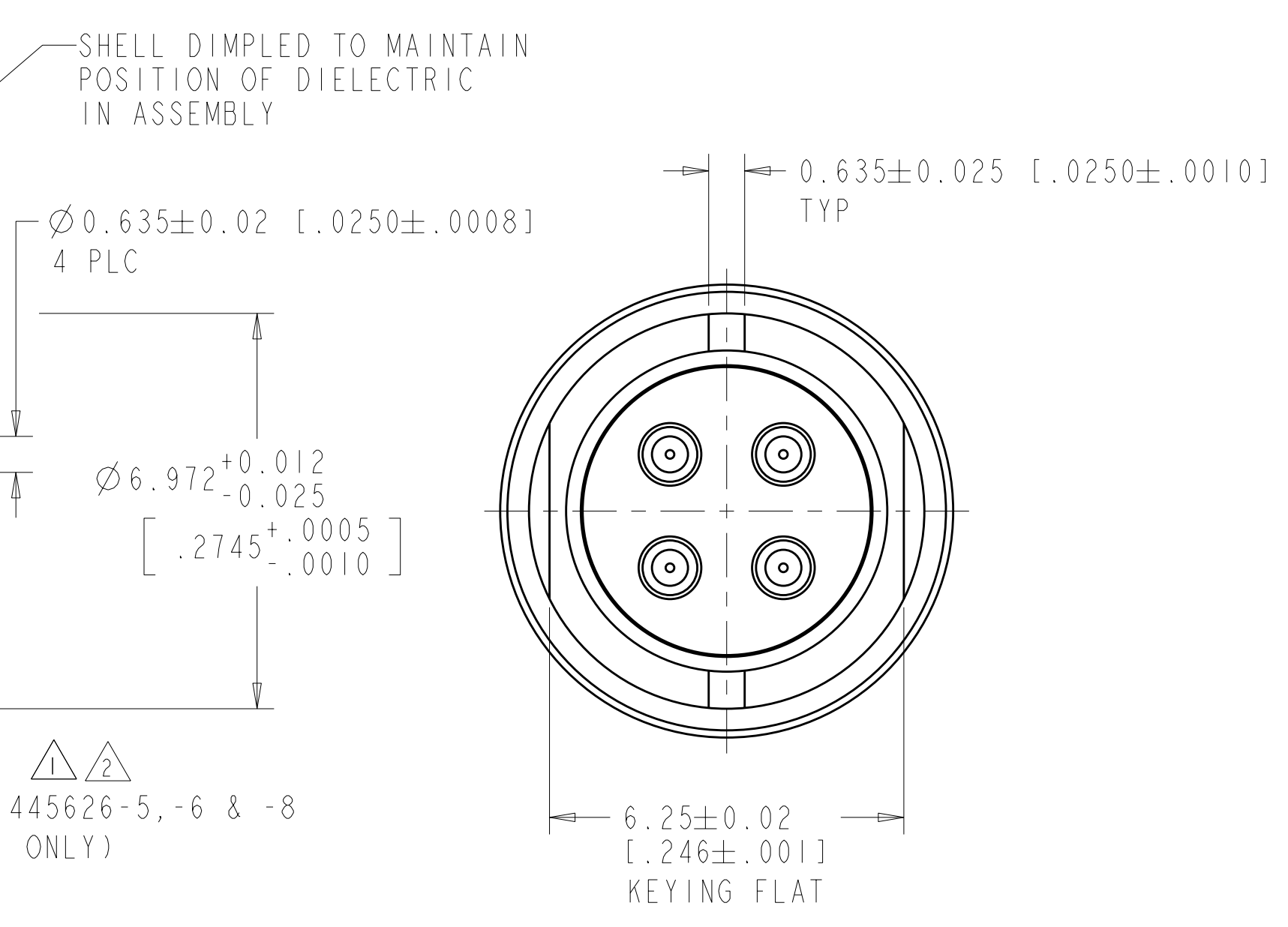
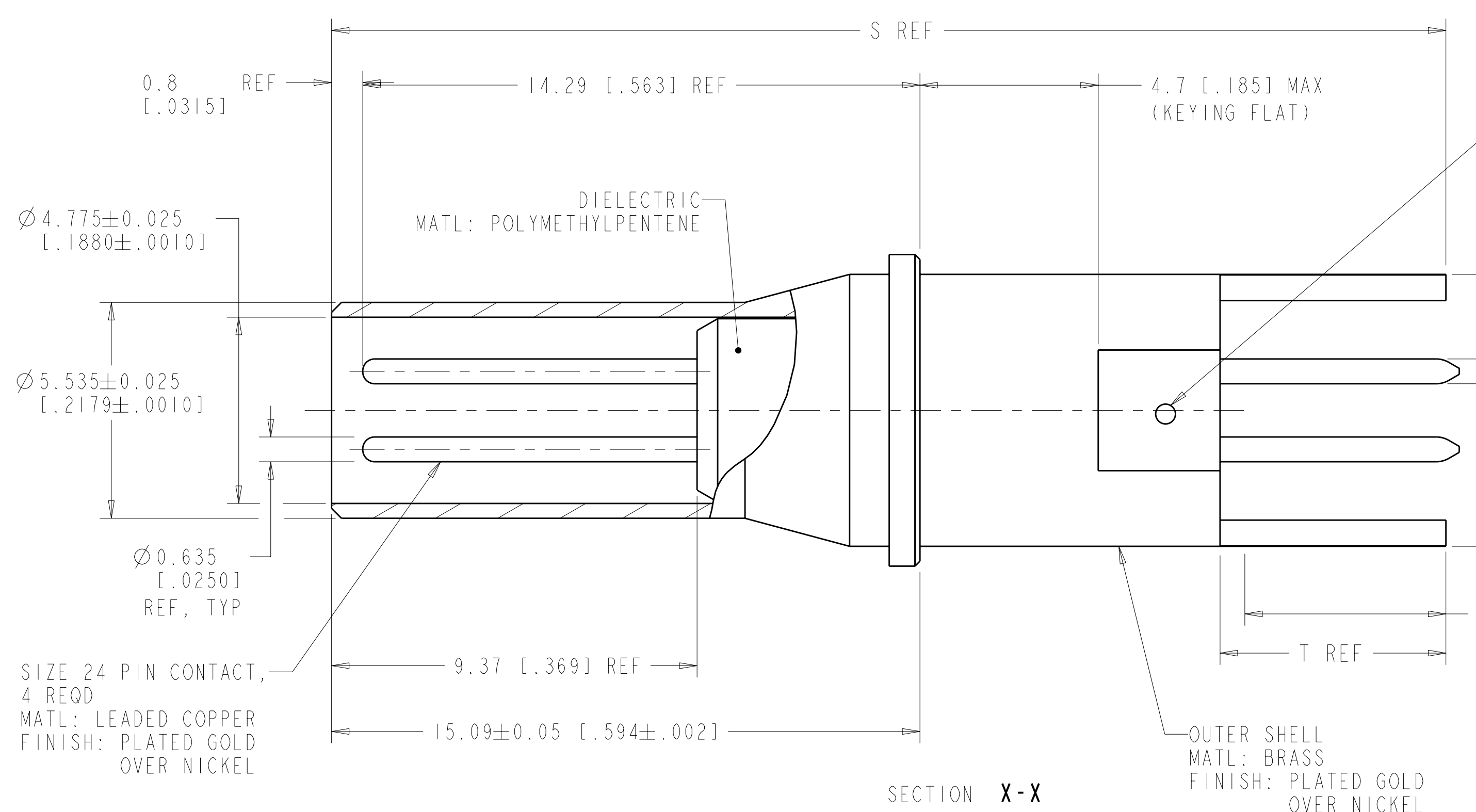
Address: A1208, Overseas Decoration Building, #122 Zhenhua RD., Futian, Shenzhen, China



LOC	DIST	REV	DATE	BY	APPD
		K	2-7-12	CT	DM

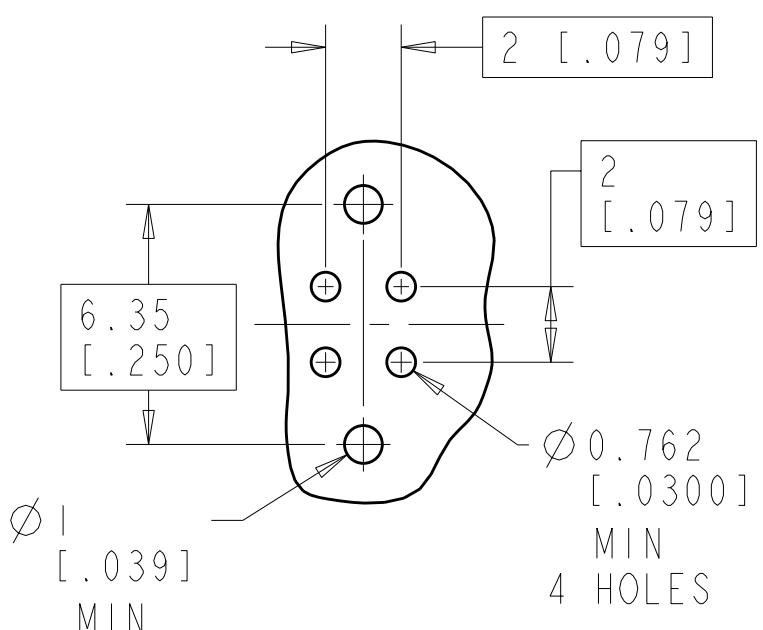
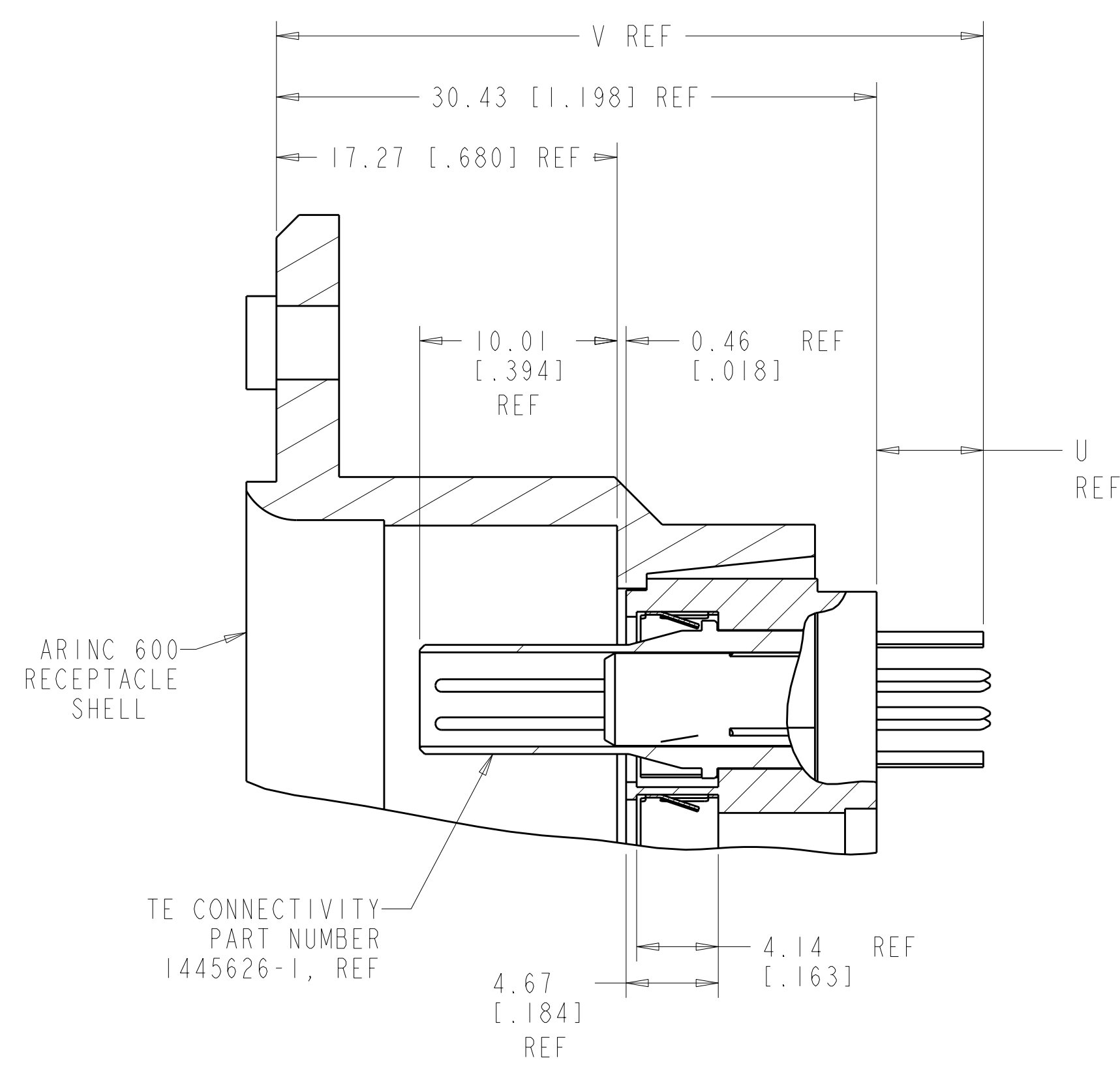
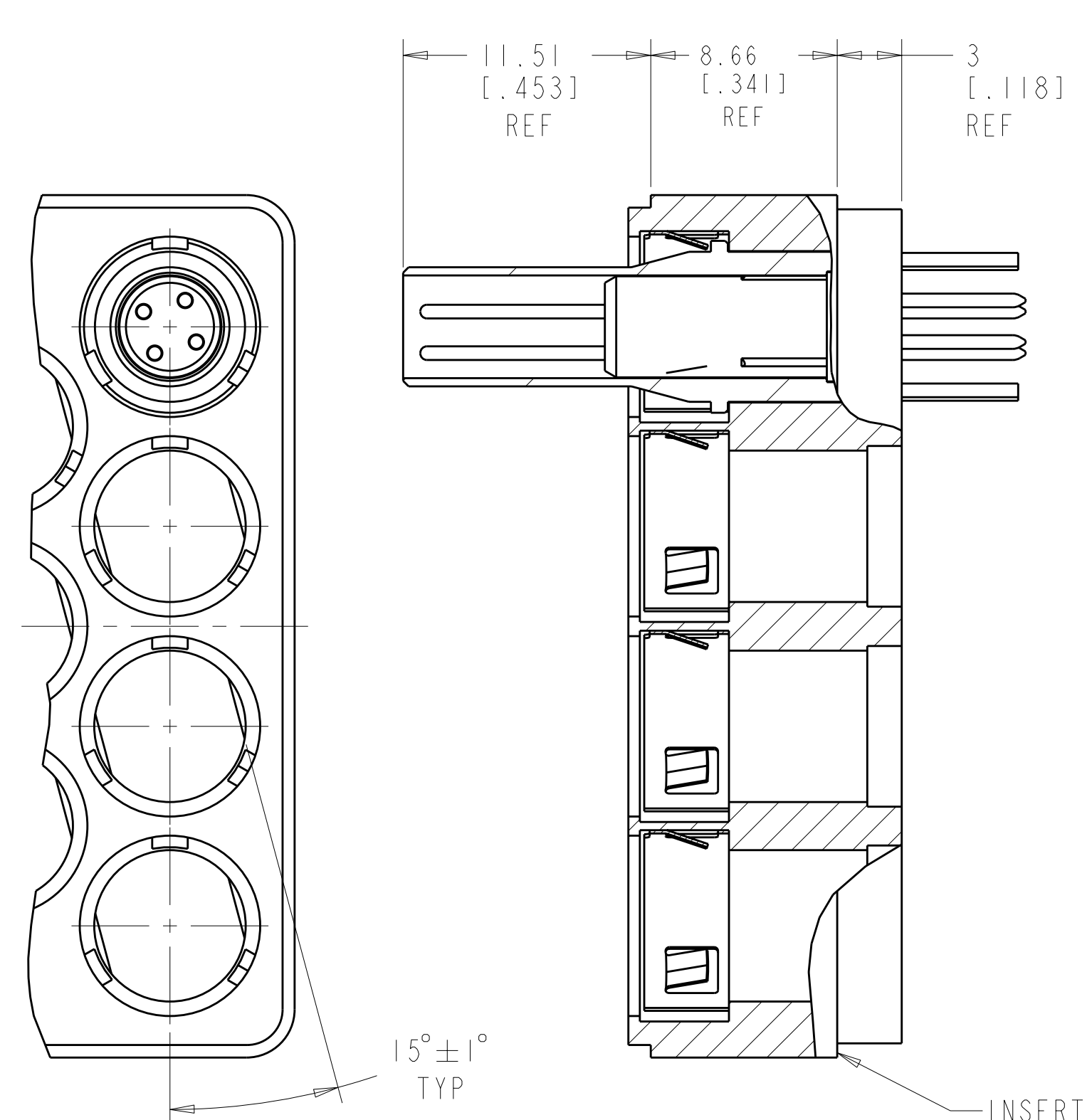


SCALE 10:1



THIS AREA SOLDER DIPPED. SOLDER TAIL DIMENSIONS APPLY PRIOR TO SOLDER DIP.
SOLDER IS RoHS COMPLIANT Sn.

3. CHARACTERISTIC IMPEDANCE: 100 OHMS NOMINAL



RECOMMENDED P.C. BOARD LAYOUT (ROTATED 15° CCW FOR EASE OF DOCUMENTATION)

QUADRAX PIN ASSY, 1445626-1, SHOWN INSTALLED IN ARINC 664, SIZE 2 INSERT WITH SIZE 8, FRONT RELEASE, FRONT REMOVABLE CAVITY

V REF	U REF	T REF	S REF	DESCRIPTION	PART NO.
37.49 [1.476]	7.06 [0.278]	8.25 [0.325]	30.25 [1.191]	SAME AS 1445626-9 EXCEPT TAILS ARE SOLDER DIPPED	1-1445626-0
37.49 [1.476]	7.06 [0.278]	8.25 [0.325]	30.25 [1.191]	SAME AS 1445626-1 EXCEPT WITH .278 SOLDER TAIL LENGTH	1445626-9
39.95 [1.573]	9.52 [0.375]	10.72 [0.422]	33.50 [1.319]	SAME AS 1445626-2 EXCEPT TAILS ARE SOLDER DIPPED	1445626-8
35.84 [1.411]	5.41 [0.213]	5.79 [0.228]	28.58 [1.125]	SAME AS 1445626-1 EXCEPT TAILS ARE SOLDER DIPPED	1445626-6
36.78 [1.448]	6.35 [0.250]	7.54 [0.297]	30.33 [1.194]	SAME AS 1445626-4 EXCEPT TAILS ARE SOLDER DIPPED	1445626-5
36.78 [1.448]	6.35 [0.250]	7.54 [0.297]	30.33 [1.194]	SAME AS 1445626-1 EXCEPT WITH .250 SOLDER TAIL LENGTH	1445626-4
34.65 [1.364]	4.2 [0.166]	4.60 [0.181]	27.38 [1.078]	SAME AS 1445626-1 EXCEPT WITH .166 SOLDER TAIL LENGTH	1445626-3
39.95 [1.573]	9.52 [0.375]	10.72 [0.422]	33.50 [1.319]	SAME AS 1445626-1 EXCEPT WITH .375 SOLDER TAIL LENGTH	1445626-2
35.84 [1.411]	5.41 [0.213]	5.79 [0.228]	28.58 [1.125]	PER ARINC 664 STANDARD;	1445626-1

THIS DRAWING IS A CONTROLLED DOCUMENT. DWG: Brent D. Toth, W.H. BERNHART, APVD: W.H. BERNHART, DATE: JAN2004, NAME: ASSEMBLY, PIN, QUADRAX, 2mm SO, FRONT RELEASE-FRONT REMOVABLE, ADN, WITH PIN CONTACTS, SIZE: 114-13123, WEIGHT: A1, 00779, SCALE: 3:2, SHEET: 1 OF 1, REV: K