



Chipsmall Limited consists of a professional team with an average of over 10 year of expertise in the distribution of electronic components. Based in Hongkong, we have already established firm and mutual-benefit business relationships with customers from,Europe,America and south Asia,supplying obsolete and hard-to-find components to meet their specific needs.

With the principle of “Quality Parts,Customers Priority,Honest Operation,and Considerate Service”,our business mainly focus on the distribution of electronic components. Line cards we deal with include Microchip,ALPS,ROHM,Xilinx,Pulse,ON,Everlight and Freescale. Main products comprise IC,Modules,Potentiometer,IC Socket,Relay,Connector.Our parts cover such applications as commercial,industrial, and automotives areas.

We are looking forward to setting up business relationship with you and hope to provide you with the best service and solution. Let us make a better world for our industry!



Contact us

Tel: +86-755-8981 8866 Fax: +86-755-8427 6832

Email & Skype: info@chipsmall.com Web: www.chipsmall.com

Address: A1208, Overseas Decoration Building, #122 Zhenhua RD., Futian, Shenzhen, China



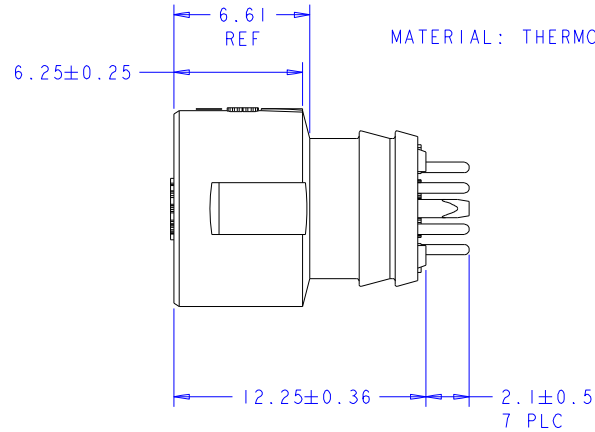
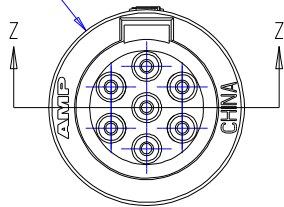
LOC	DIST	REVISIONS					
		P	LTR	DESCRIPTION	DATE	DWN	APVD
-	-	7		REVISED	13MAY03	BH	KD
		8		ADDED 'B'. A REF. 30° WAS 10°	5-28-03	GD	KD
		9		REVISED	3-12-04	GD	KD
		10		ADDED P/NS, NOTE 1 AND HOUSING COLOR.	4-14-04		

LATCH IDENTIFIER
 B-BREAKAWAY LATCH
 BREAKAWAY VERSION ONLY,
 MAY BE ORIENTED
 IN ANY DIRECTION

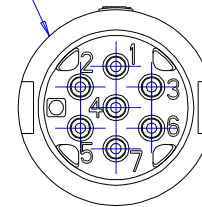
ALIGNMENT
 INDICATORS
 SEE TABLE
 FOR COLOR

THIS PRODUCT HAS NOT COMPLETED
 VALIDATION TESTING

$\varnothing 9.5 \pm 0.1$



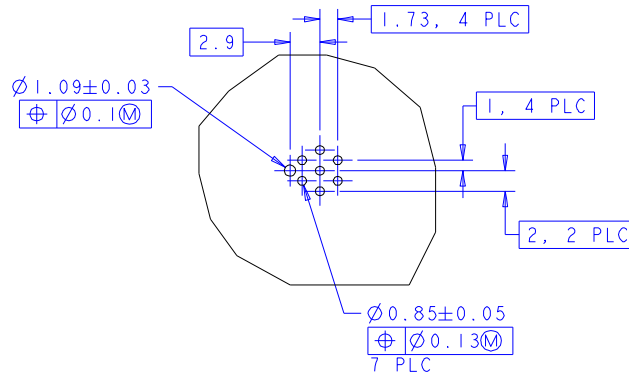
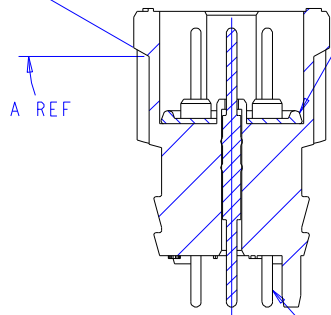
HOUSING, QTY-1
 COLOR-SEE TABLE



PRELIMINARY PART NUMBER

WHITE	WHITE	1, 7	BREAKAWAY	30°	△ 1-1445691-2
BLACK	WHITE	1, 7	POSITIVE	0°	△ 1-1445691-1
WHITE	WHITE	2, 3, 7	BREAKAWAY	30°	△ 1-1445691-0
BLACK	WHITE	2, 3, 7	POSITIVE	0°	△ 1445691-09
WHITE	WHITE	2, 3, 5, 6	BREAKAWAY	30°	△ 1445691-08
BLACK	WHITE	2, 3, 5, 6	POSITIVE	0°	△ 1445691-07
WHITE	WHITE	2, 3, 4, 5, 6	BREAKAWAY	30°	△ 1445691-06
BLACK	WHITE	2, 3, 4, 5, 6	POSITIVE	0°	△ 1445691-05
WHITE	WHITE	1, 2, 3, 5, 6, 7	BREAKAWAY	30°	△ 1445691-04
BLACK	WHITE	1, 2, 3, 5, 6, 7	POSITIVE	0°	△ 1445691-03
WHITE	WHITE	ALL	BREAKAWAY	30°	△ 1445691-02
BLACK	WHITE	ALL	POSITIVE	0°	1445691-01
HOUSING COLOR	INDICATOR COLOR	CONTACT CIRCUITS	LATCH	A REF	PART NUMBER

SEAL, INTERFACIAL, QTY-1
 MATERIAL: SILICONE, COLOR-RED



CONTACT, SOLDER TAIL, QTY-7
 MATERIAL: BRASS
 FINISH: GOLD OVER NICKEL

SECTION Z-Z

SUGGESTED PRINTED CIRCUIT
 BOARD LAYOUT

DIMENSIONS:		TOLERANCES UNLESS OTHERWISE SPECIFIED:		DATE		Tyco Electronics	
mm		0 PLC	±	20JUL2001	SHANE WREST	Harrisburg, PA 17105-3608	
		1 PLC	±	20JUL2001	G. DOWDY	ASSEMBLY, RECEPTACLE, FREE HANGING, PIN CONTACT, SOLDER POST, 7 POSITION, MICRO CPC	
		2 PLC	±0.13			RESTRICTED TO	
		3 PLC	±			SCALE 6:1 SHEET 1 OF 1 REV 10	
		4 PLC	±			SIZE CAGE CODE DRAWING NO	
		ANGLES	±			A2 00779 C-1445691	
		FINISH	SEE NOTE			CUSTOMER DRAWING	