



Chipsmall Limited consists of a professional team with an average of over 10 year of expertise in the distribution of electronic components. Based in Hongkong, we have already established firm and mutual-benefit business relationships with customers from,Europe,America and south Asia,supplying obsolete and hard-to-find components to meet their specific needs.

With the principle of "Quality Parts,Customers Priority,Honest Operation,and Considerate Service",our business mainly focus on the distribution of electronic components. Line cards we deal with include Microchip,ALPS,ROHM,Xilinx,Pulse,ON,Everlight and Freescale. Main products comprise IC,Modules,Potentiometer,IC Socket,Relay,Connector.Our parts cover such applications as commercial,industrial, and automotives areas.

We are looking forward to setting up business relationship with you and hope to provide you with the best service and solution. Let us make a better world for our industry!



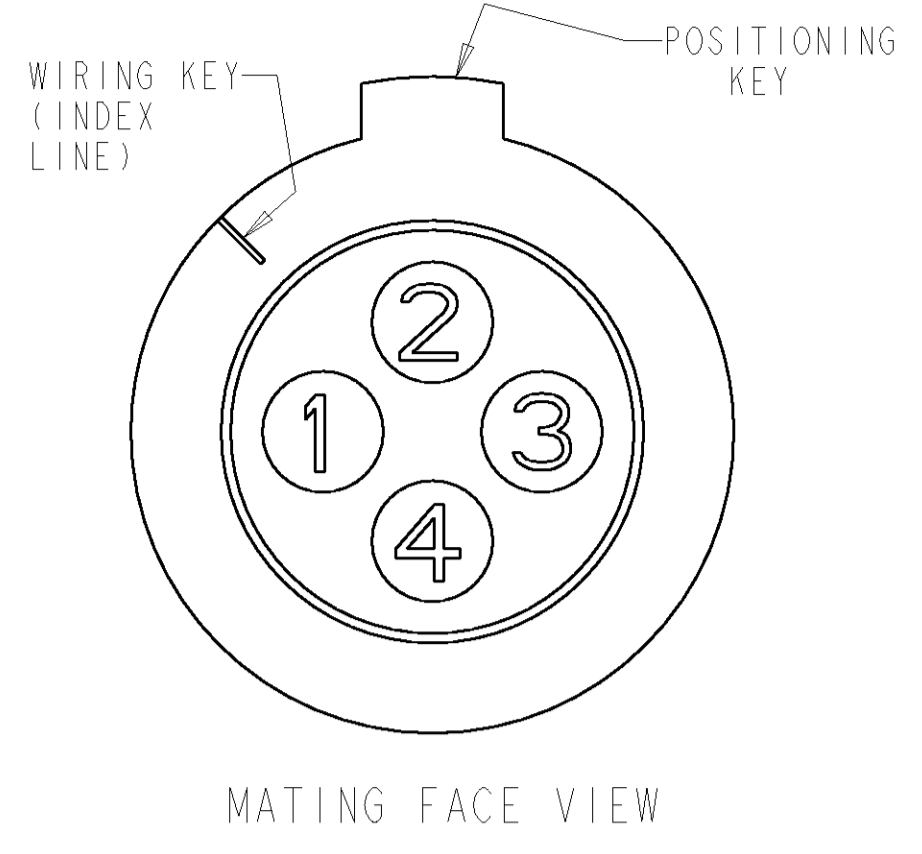
Contact us

Tel: +86-755-8981 8866 Fax: +86-755-8427 6832

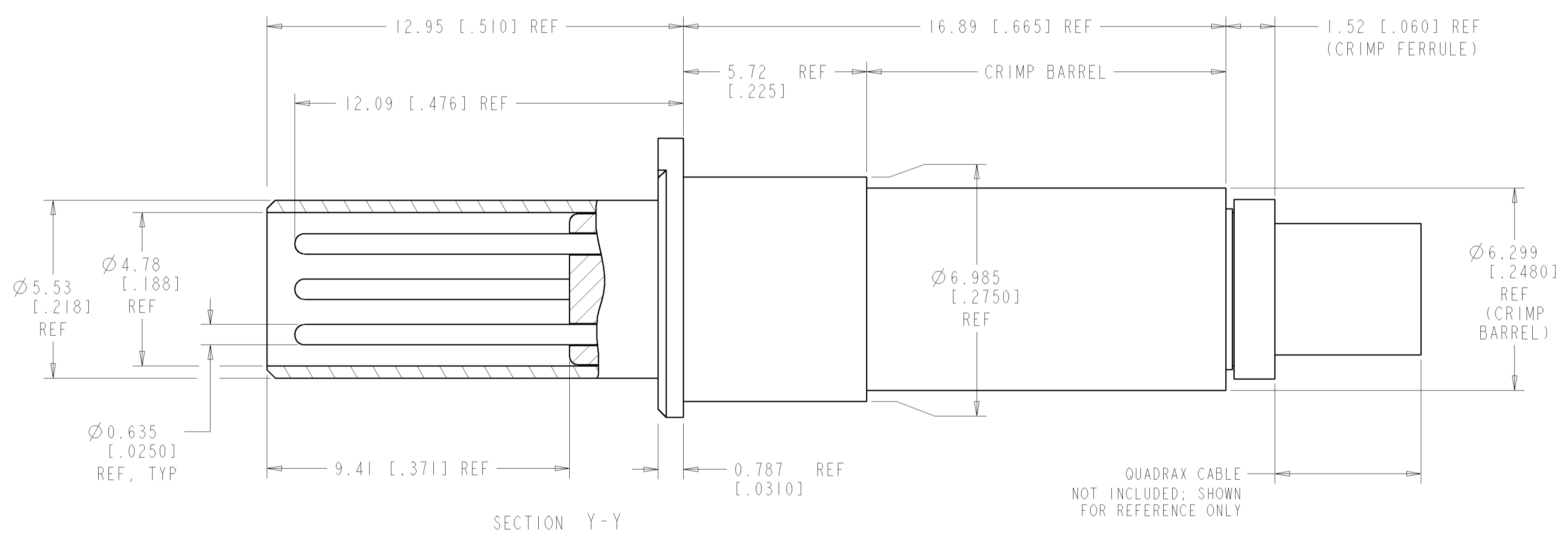
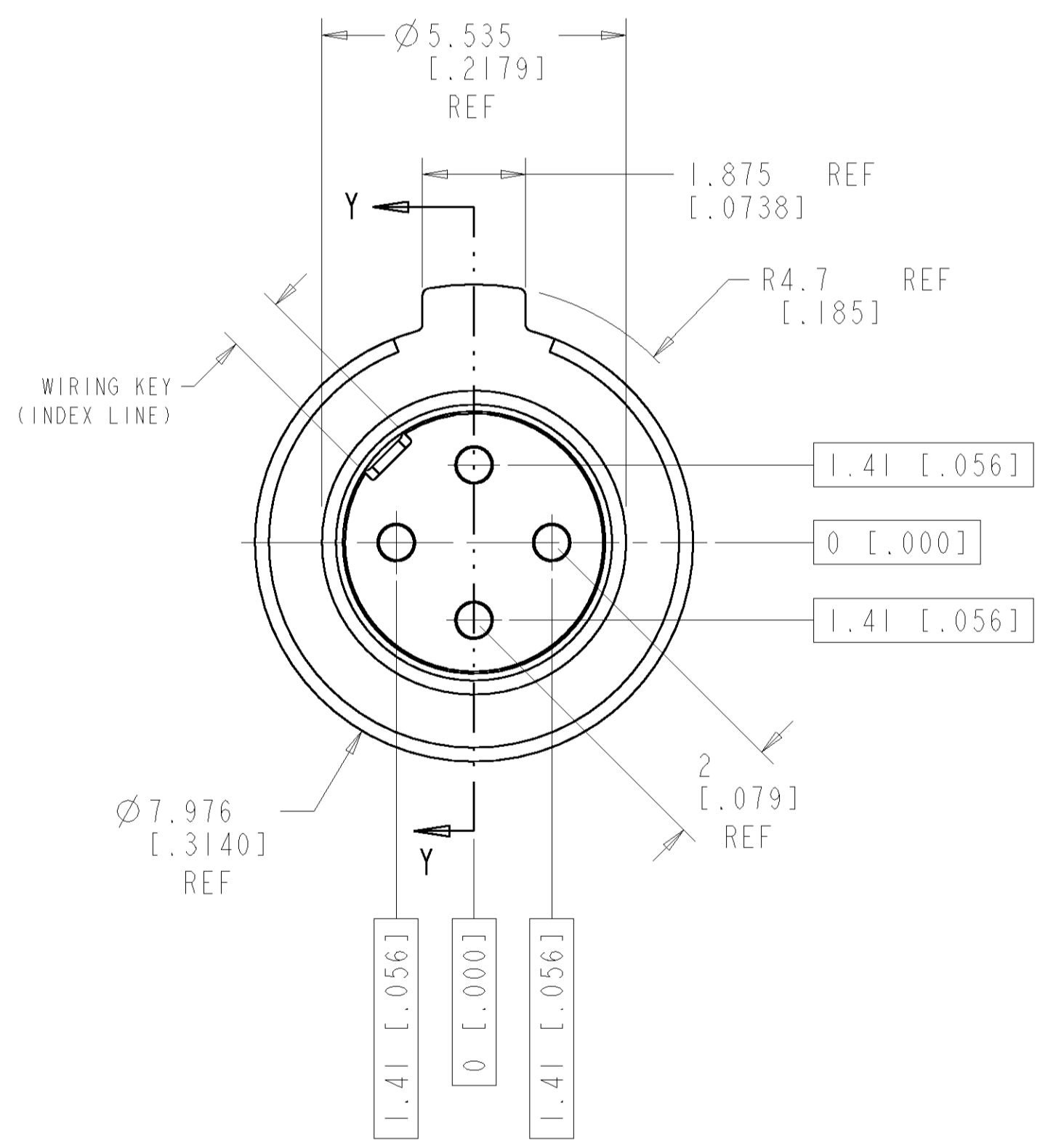
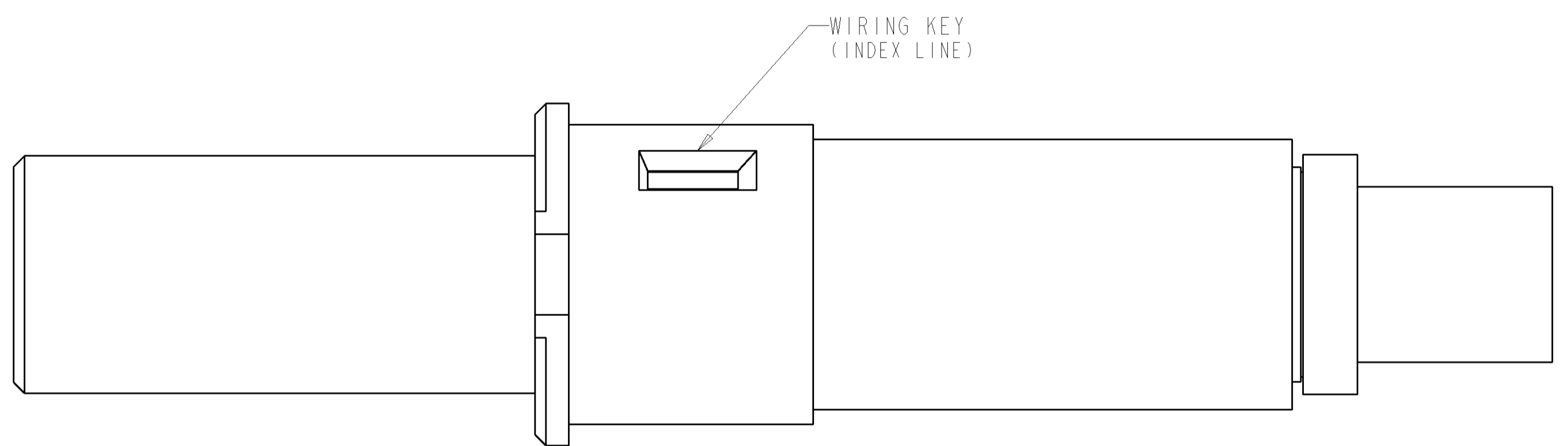
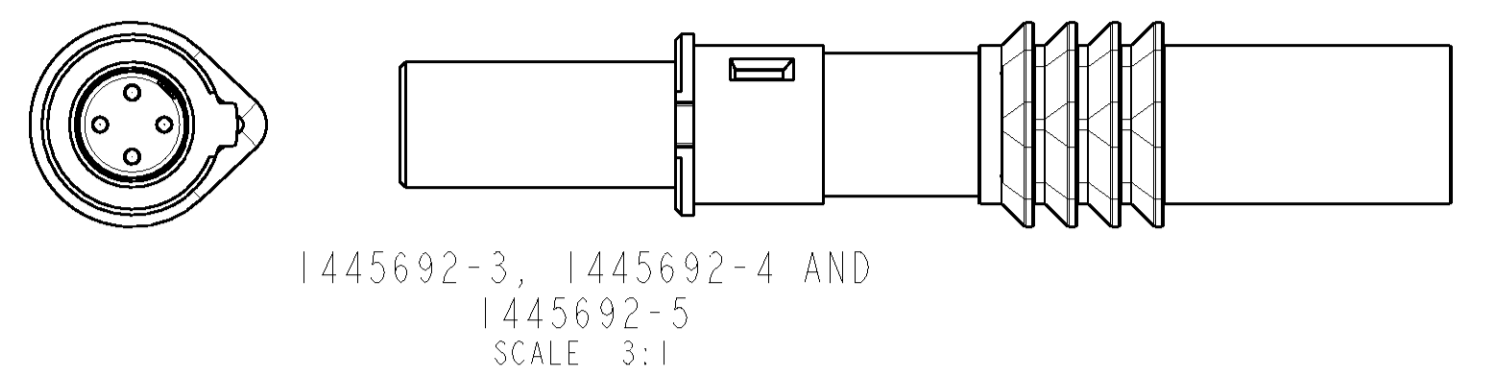
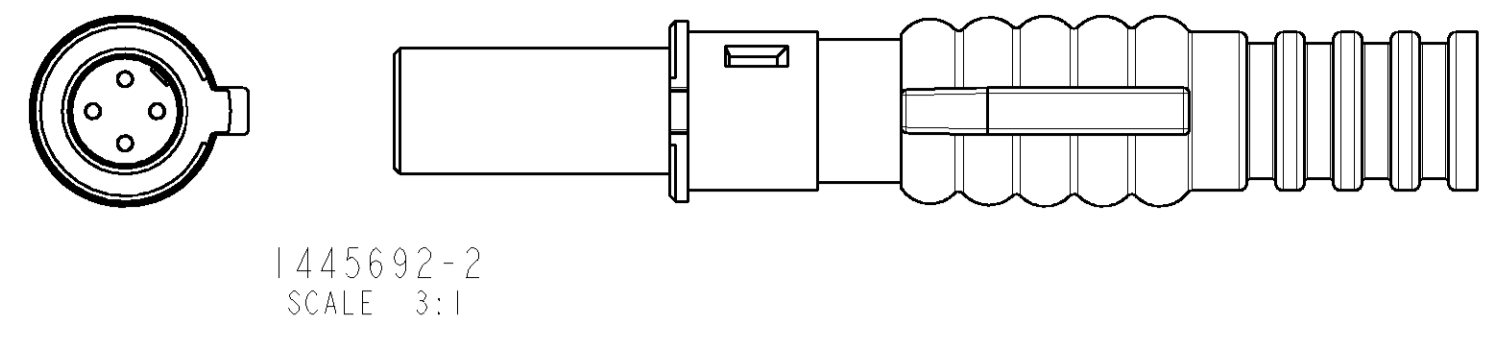
Email & Skype: info@chipsmall.com Web: www.chipsmall.com

Address: A1208, Overseas Decoration Building, #122 Zhenhua RD., Futian, Shenzhen, China





CONTACT CAVITY NUMBERING
 STANDARD CAVITY NUMBER ASSIGNMENT



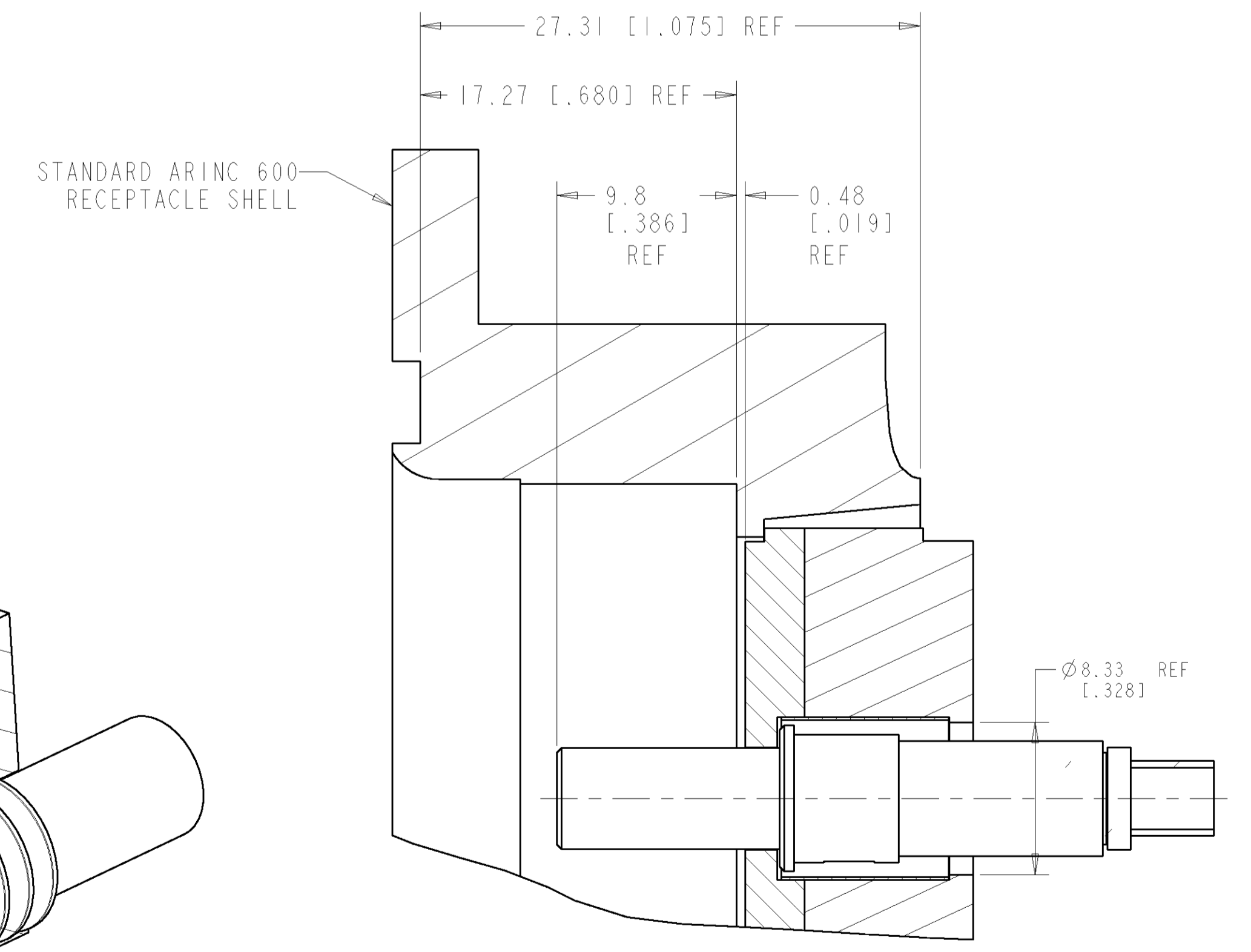
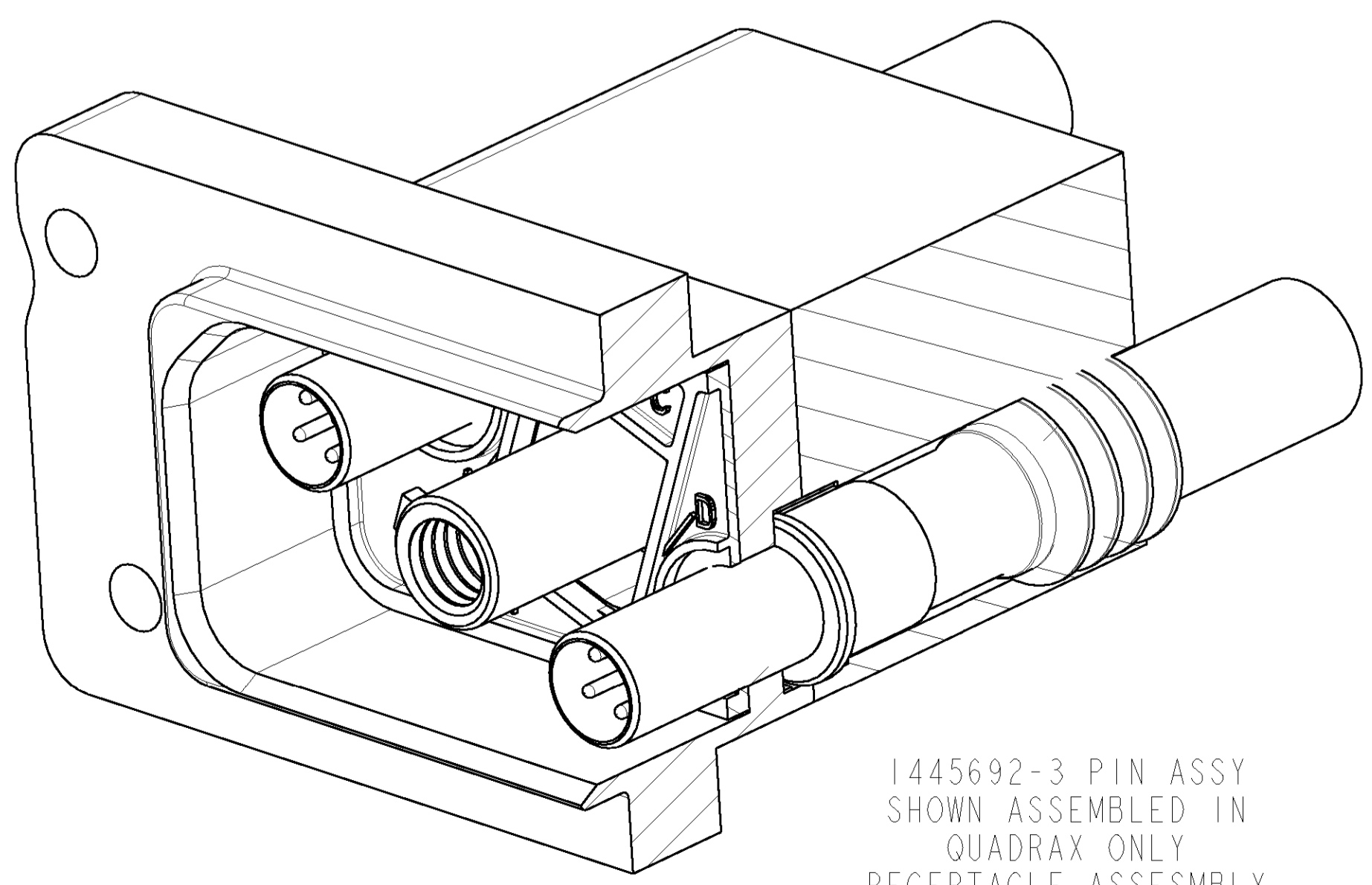
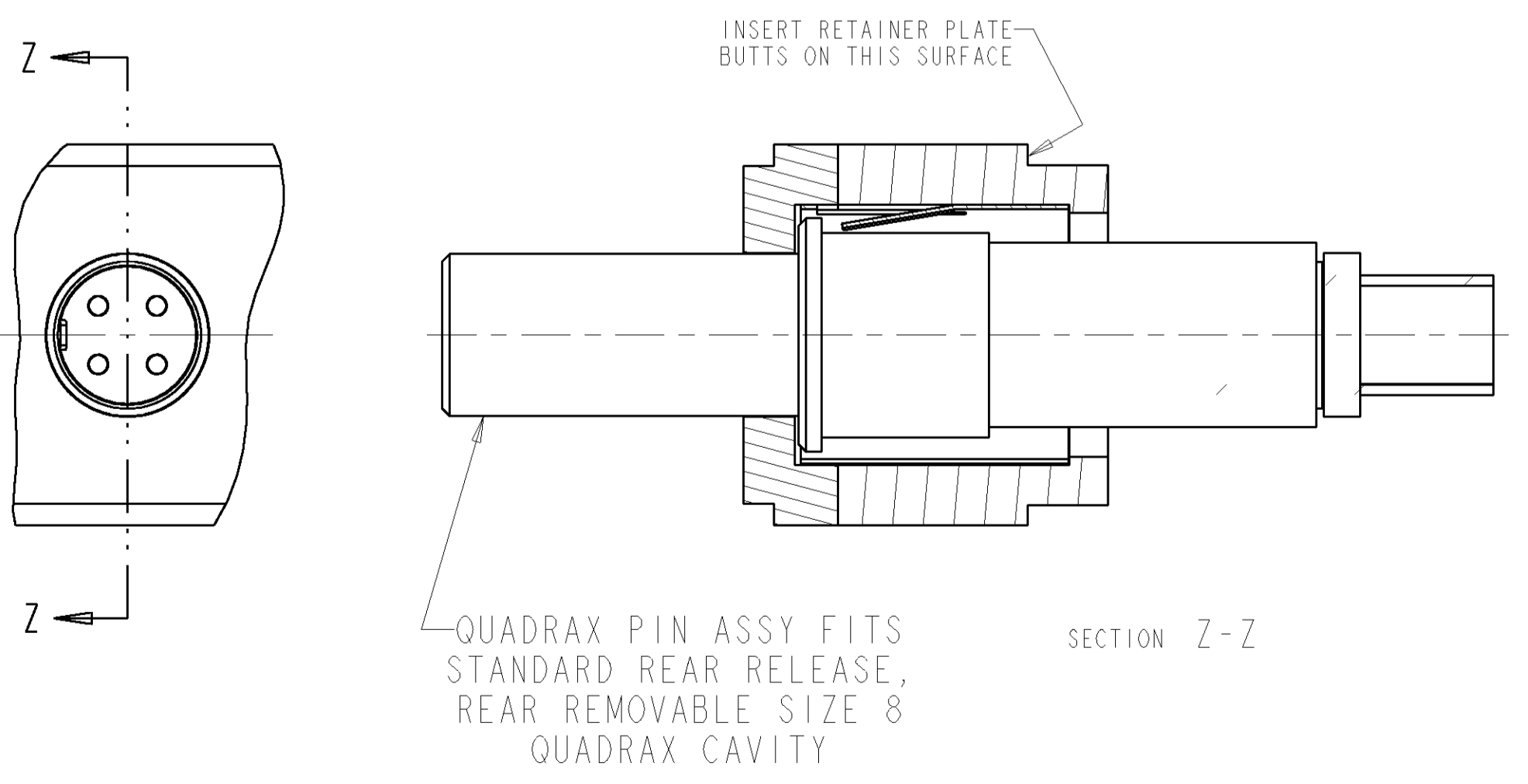
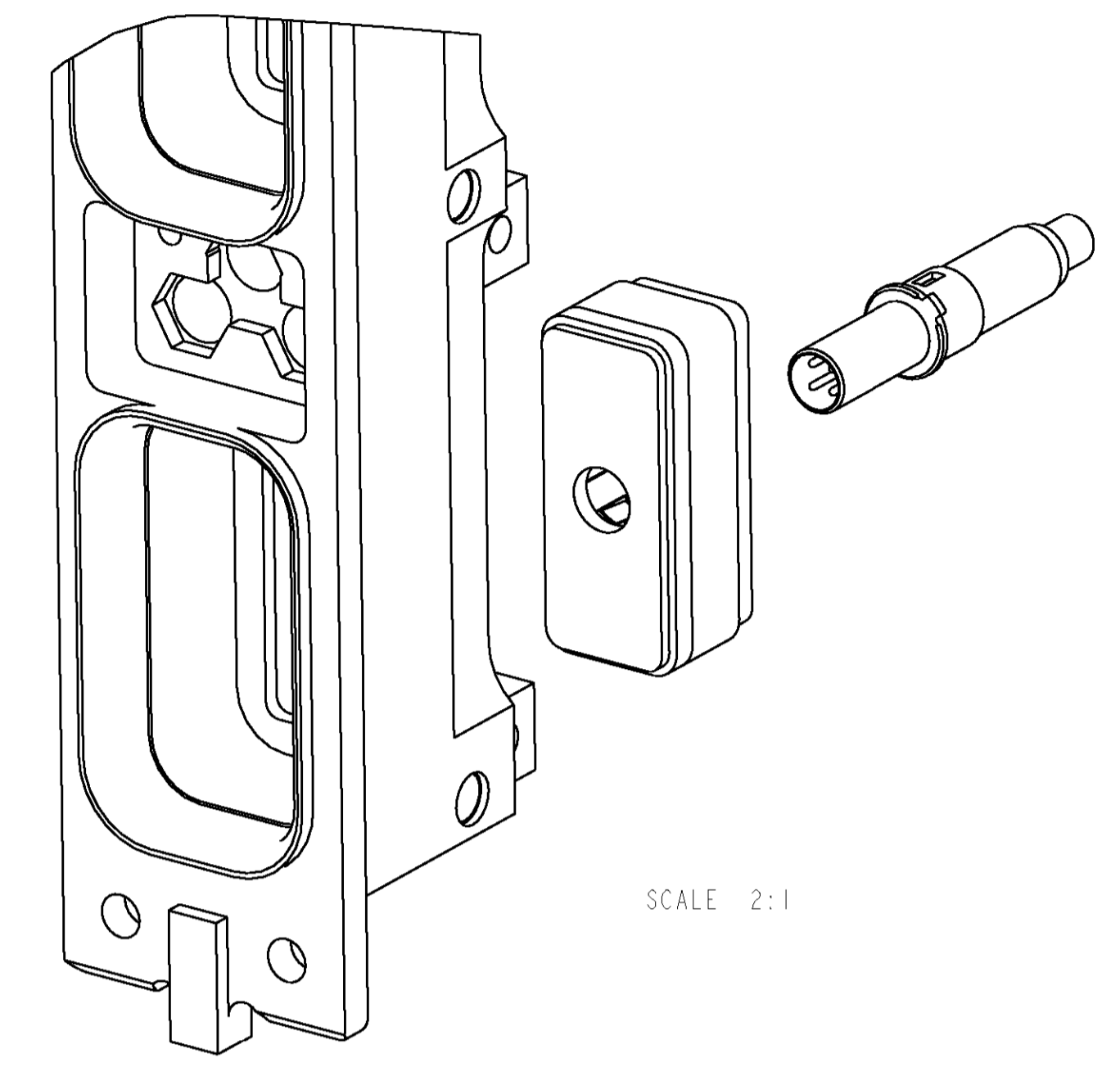
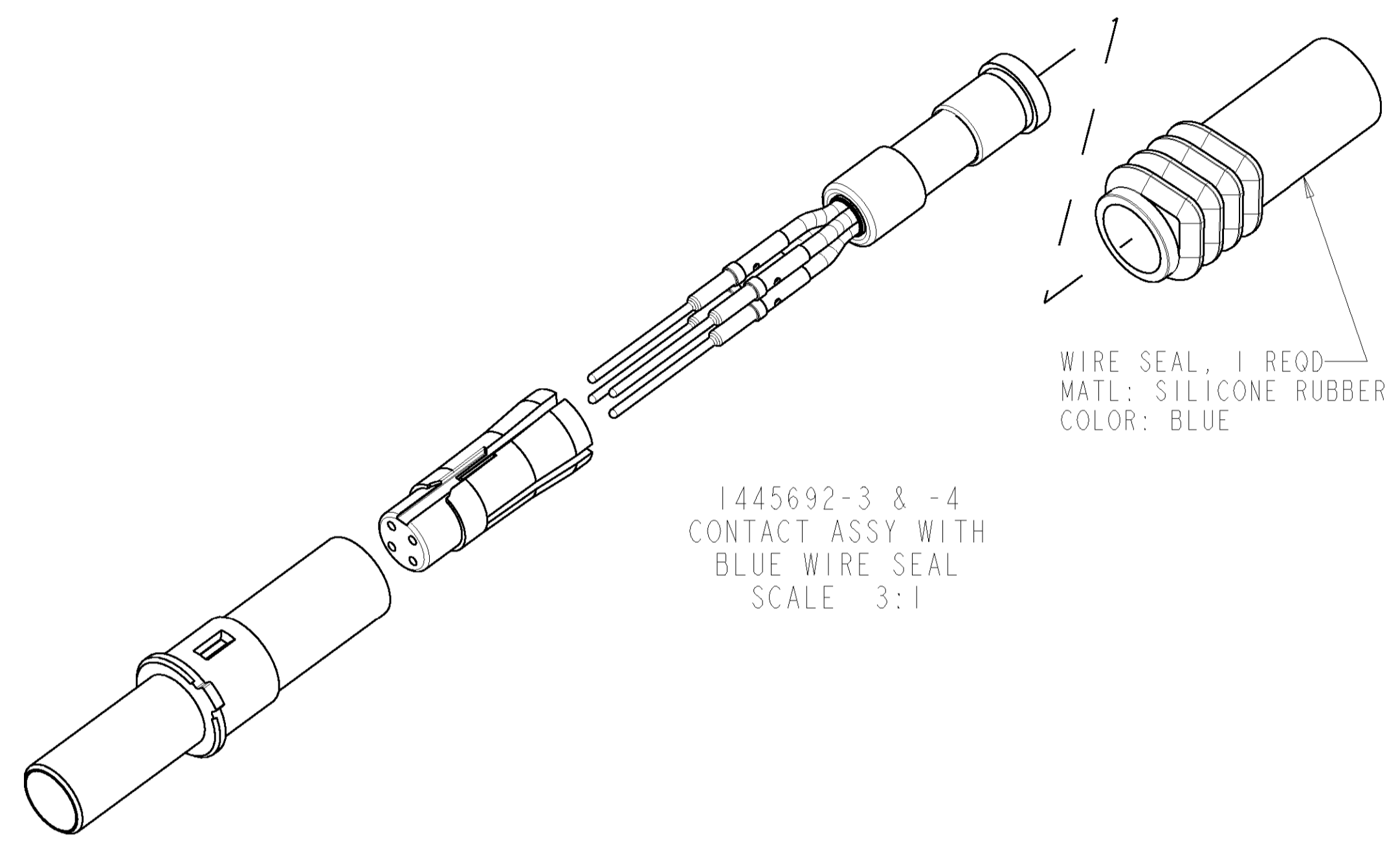
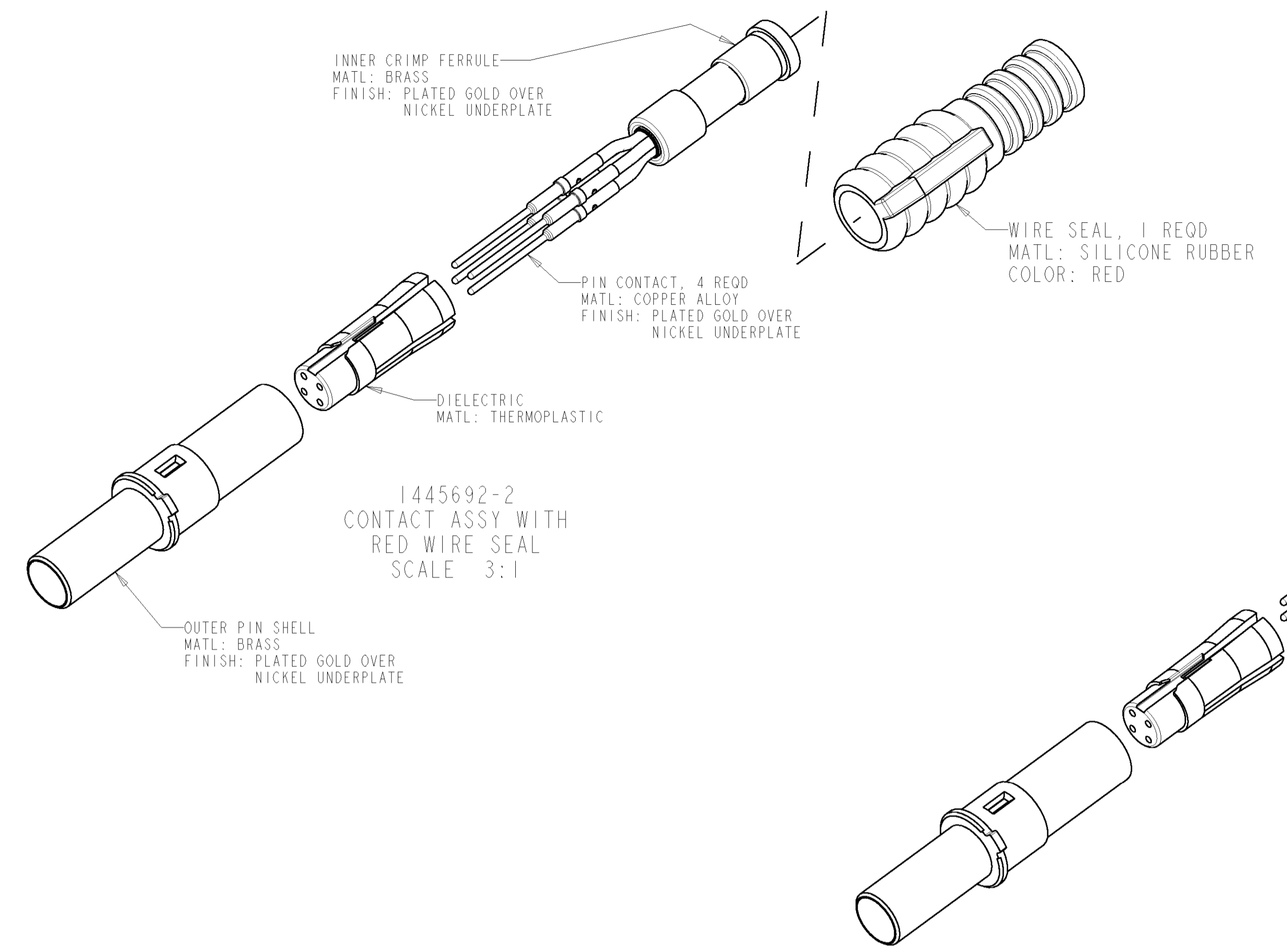
QUADRAX CABLE
 NOT INCLUDED; SHOWN
 FOR REFERENCE ONLY

- COMPONENTS ARE PACKAGED IN KIT FORM. CABLE MUST BE PURCHASED SEPARATELY.
 - ASSEMBLY PER APPLICATION SPECIFICATION 114-13123.
 - USE INSERTION-EXTRACTION TOOL 1738894-1.
- ⚠ TENSOLITE NF24Q100 OR EQUIVALENT
 - ⚠ DRAKA F4704-4 OR EQUIVALENT

RECOMMENDED CABLE	CUSTOMER PART NUMBER	SEAL COLOR	DESCRIPTION	PART NO.
⚠	-	-	AS SHOWN WITHOUT WIRE SEAL	1445692-6
⚠	-	BLUE	AS SHOWN WITH WIRE SEAL	1445692-5
⚠	BACC47GA1	BLUE	SAME AS -1 EXCEPT WITH WIRE SEAL	1445692-4
⚠	---	BLUE	SAME AS -1 EXCEPT WITH WIRE SEAL	1445692-3
⚠	---	RED	SAME AS -1 EXCEPT WITH WIRE SEAL	1445692-2
⚠	---	--	AS SHOWN; WITHOUT WIRE SEAL	1445692-1

DIMENSIONS: mm [INCH]		TOLERANCES UNLESS OTHERWISE SPECIFIED: 0 PLC ± .2 [.008] 1 PLC ± 0.13 [.005] 3 PLC ± 0.031 [.002] 4 PLC ± . ANGLES ± . FINISH -		DRN: Brent D. 23 JUNE 2004 CHK: W.H. BERNHART 23 JUNE 2004 APVD: W.H. BERNHART 23 JUNE 2004		NAME: ASSEMBLY, PIN, QUADRAX, 2mm SO, AIRCRAFT DATA NETWORK, RR/RR, WITH PIN CONTACTS PRODUCT SPEC: - APPLICATION SPEC: - WEIGHT: - SIZE: A1 CAGE CODE: 00779 DRAWING NO: 1445692	
MATERIAL: -		FINISH: -		WEIGHT: -		RESTRICTED TO: -	
CUSTOMER DRAWING				SCALE: 1:1		SHEET 1 OF 2 REV H1	

LOC		DIST		REVISIONS			
DF	A5	P	LTR	DESCRIPTION	DATE	DRN	APVD
-	-	-	-	SEE SHEET 1	-	-	-



QUADRAX PIN ASSY SHOWN INSTALLED IN
 STANDARD ARINC 600, SIZE 1 INSERT
 WITH REAR RELEASE, REAR REMOVABLE
 SIZE 8 QUADRAX CAVITY

DIMENSIONS: mm [INCH]		TOLERANCES UNLESS OTHERWISE SPECIFIED:		DRN Bernhard, 23 JUNE 2004		EWN W.H. BERNHART, 23 JUNE 2004		APVD W.H. BERNHART, 23 JUNE 2004		NAME ASSEMBLY, PIN, QUADRAX, 2mm SO, AIRCRAFT DATA NETWORK, RR/RR, WITH PIN CONTACTS	
0 PLC	±	1 PLC	±0.2 [0.008]	PRODUCT SPEC	-	APPLICATION SPEC	-	SIZE	CAGE CODE	DRAWING NO	RESTRICTED TO
1 PLC	±	2 PLC	±0.13 [0.005]	WEIGHT	-	SCALE	1:1	SHEET	2	OF	2
2 PLC	±	3 PLC	±0.051 [0.002]	CUSTOMER DRAWING	-	SCALE	1:1	SHEET	2	OF	2
3 PLC	±	4 PLC	±	FINISH	-	SCALE	1:1	SHEET	2	OF	2
4 PLC	±	ANGLES	±	WEIGHT	-	SCALE	1:1	SHEET	2	OF	2
FINISH	-	WEIGHT	-	SCALE	1:1	SHEET	2	OF	2	REV	H1