



Chipsmall Limited consists of a professional team with an average of over 10 year of expertise in the distribution of electronic components. Based in Hongkong, we have already established firm and mutual-benefit business relationships with customers from,Europe,America and south Asia,supplying obsolete and hard-to-find components to meet their specific needs.

With the principle of "Quality Parts,Customers Priority,Honest Operation,and Considerate Service",our business mainly focus on the distribution of electronic components. Line cards we deal with include Microchip,ALPS,ROHM,Xilinx,Pulse,ON,Everlight and Freescale. Main products comprise IC,Modules,Potentiometer,IC Socket,Relay,Connector.Our parts cover such applications as commercial,industrial, and automotives areas.

We are looking forward to setting up business relationship with you and hope to provide you with the best service and solution. Let us make a better world for our industry!



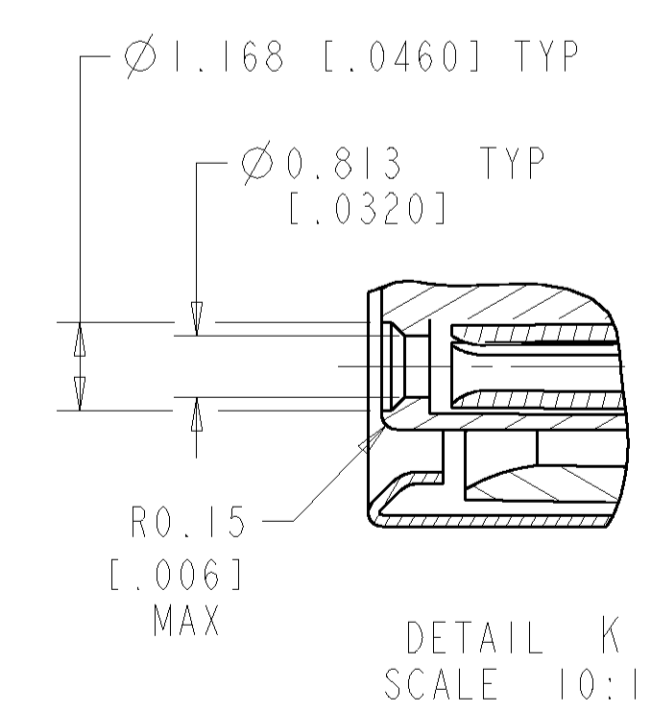
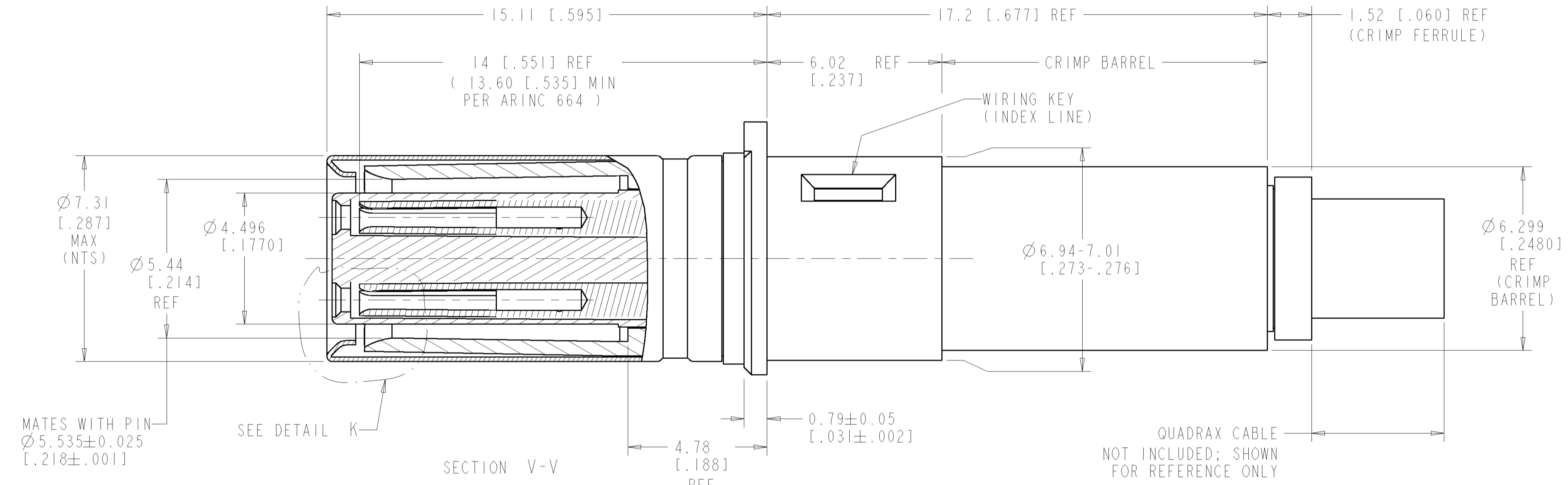
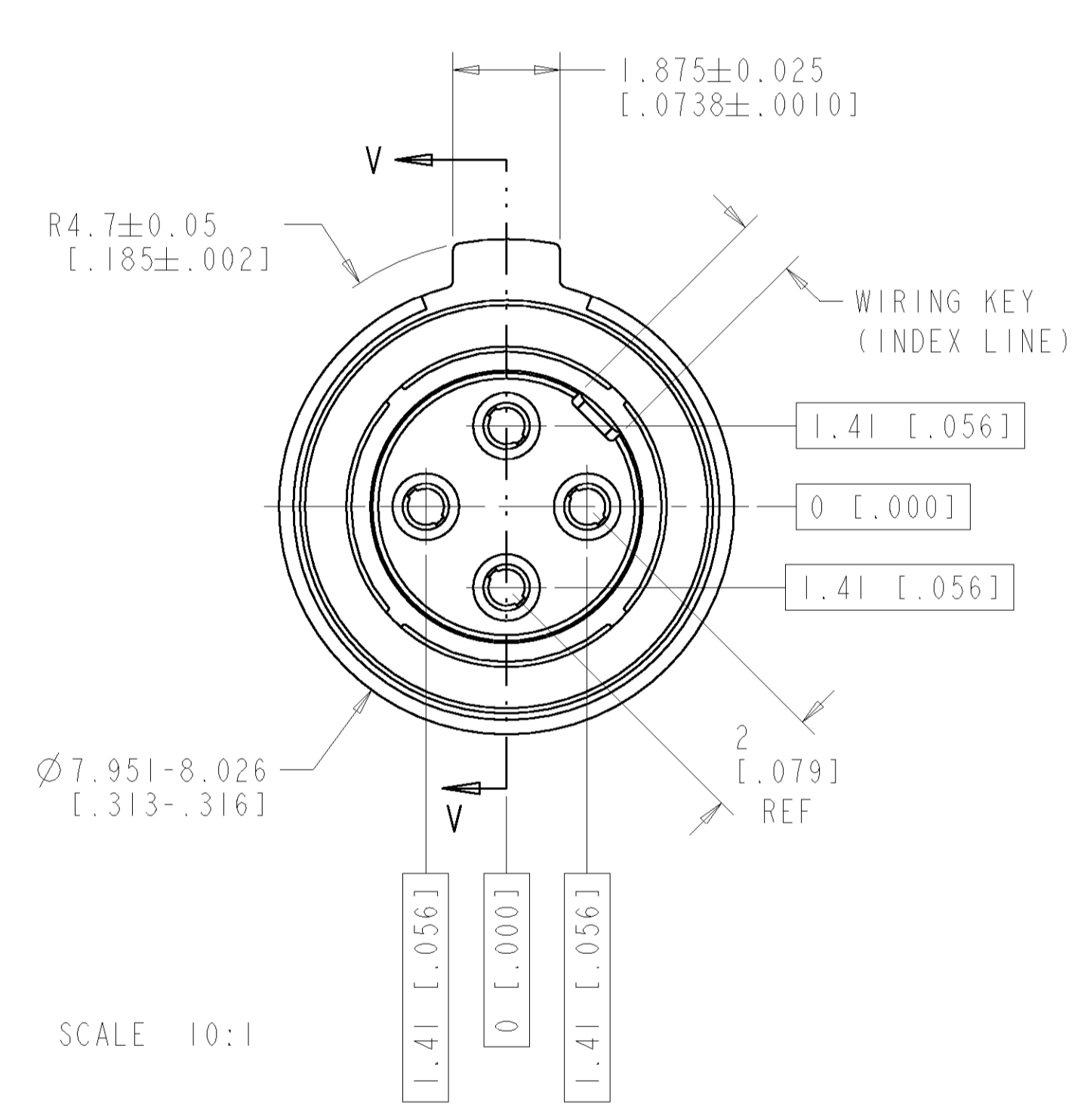
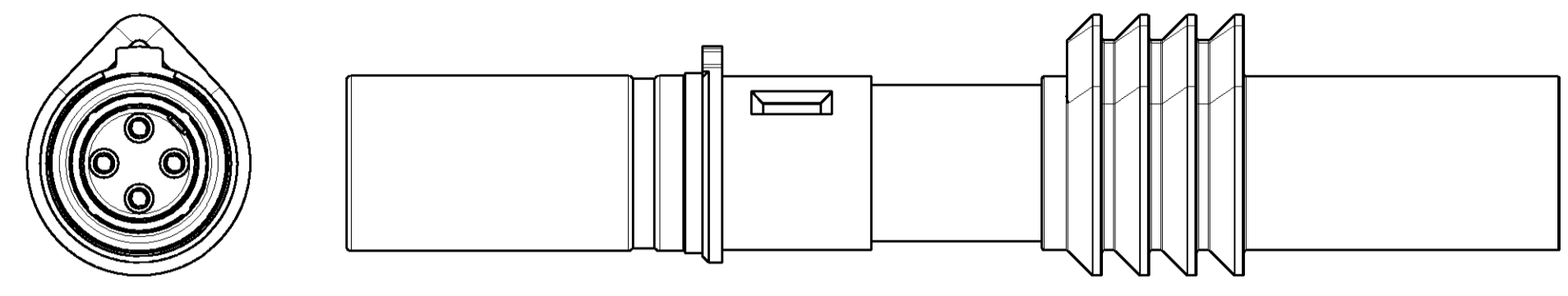
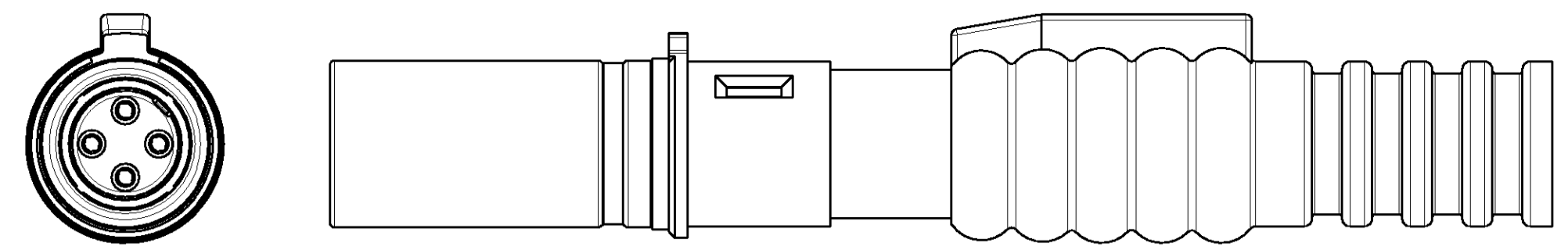
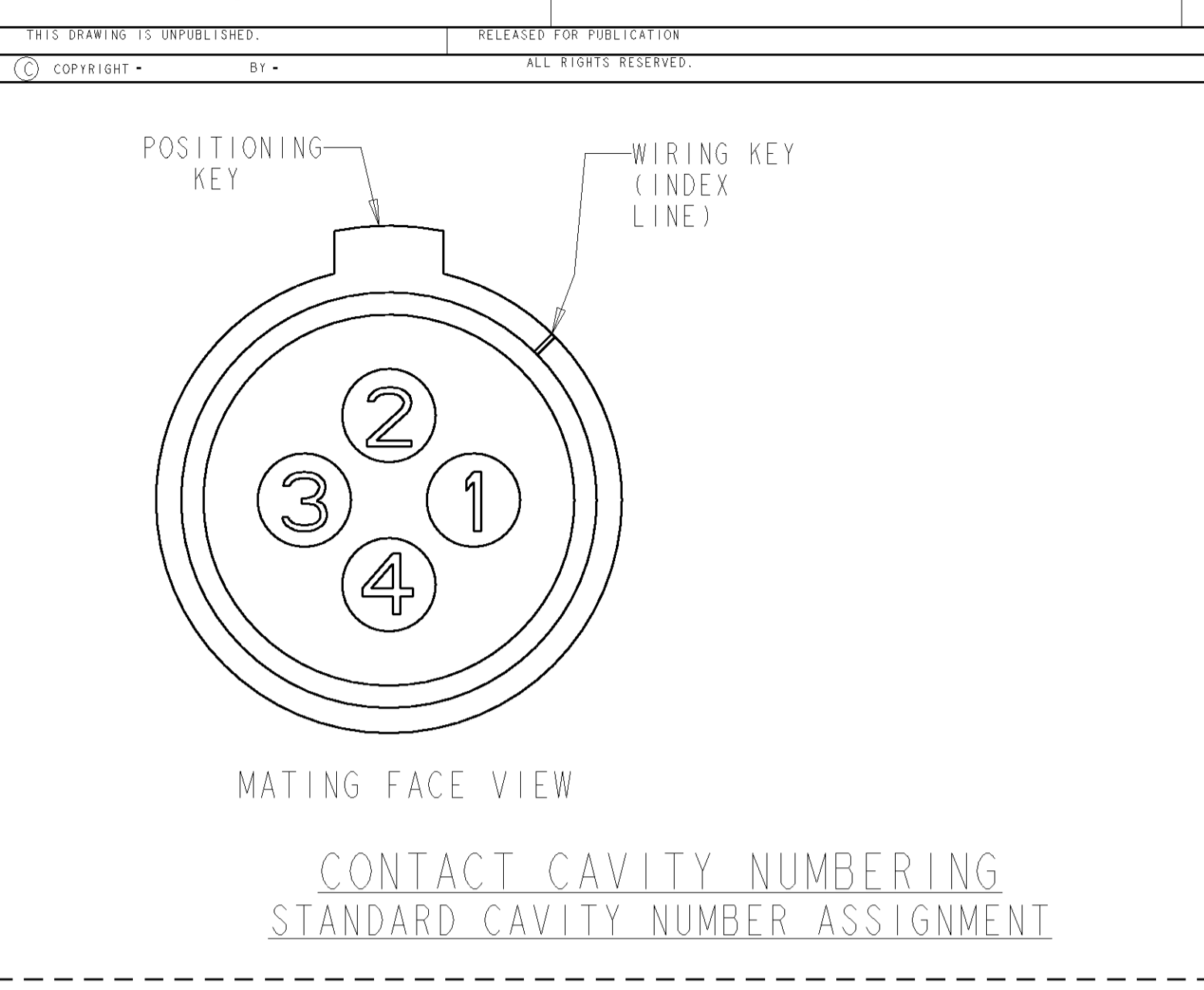
Contact us

Tel: +86-755-8981 8866 Fax: +86-755-8427 6832

Email & Skype: info@chipsmall.com Web: www.chipsmall.com

Address: A1208, Overseas Decoration Building, #122 Zhenhua RD., Futian, Shenzhen, China



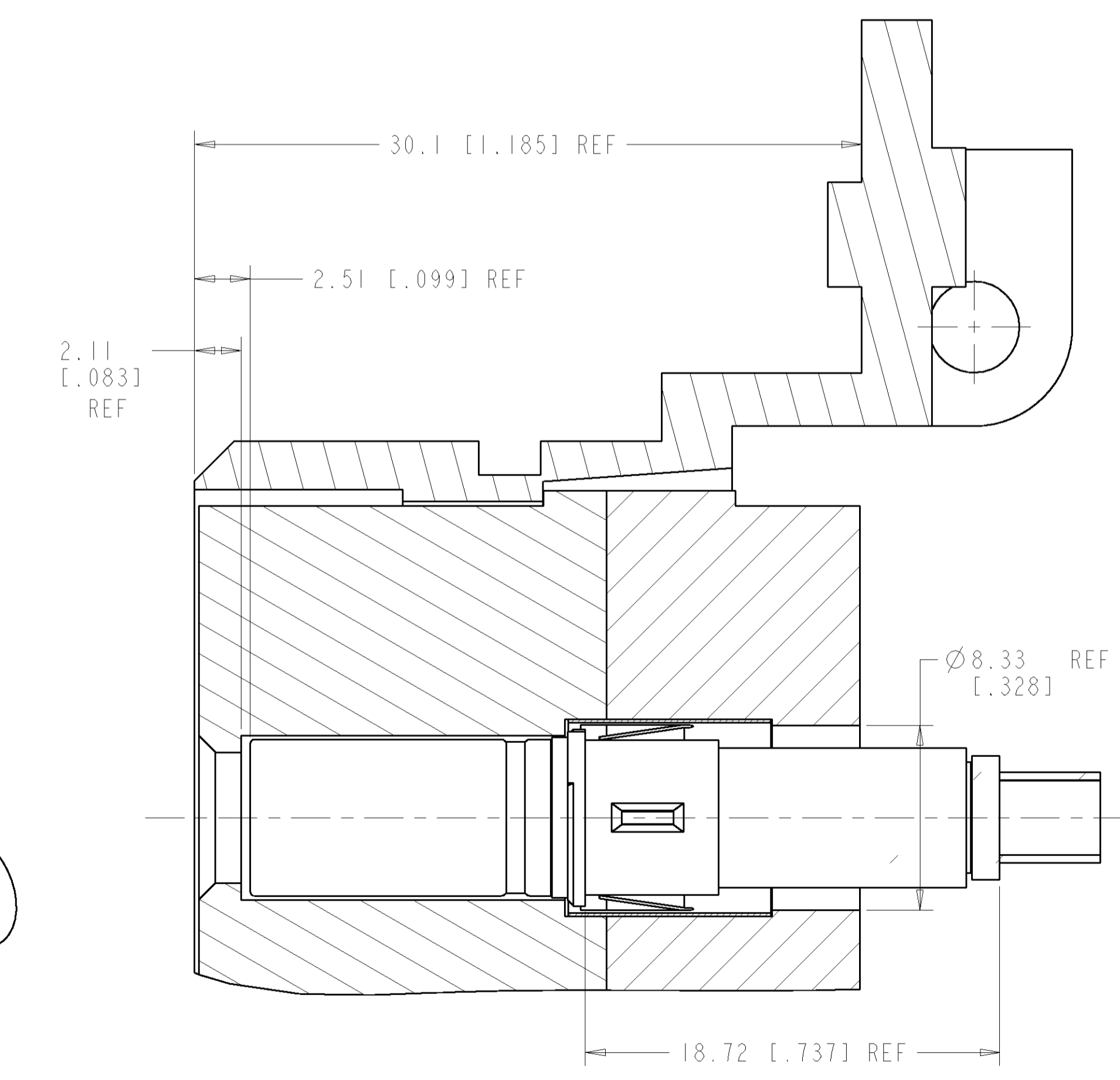
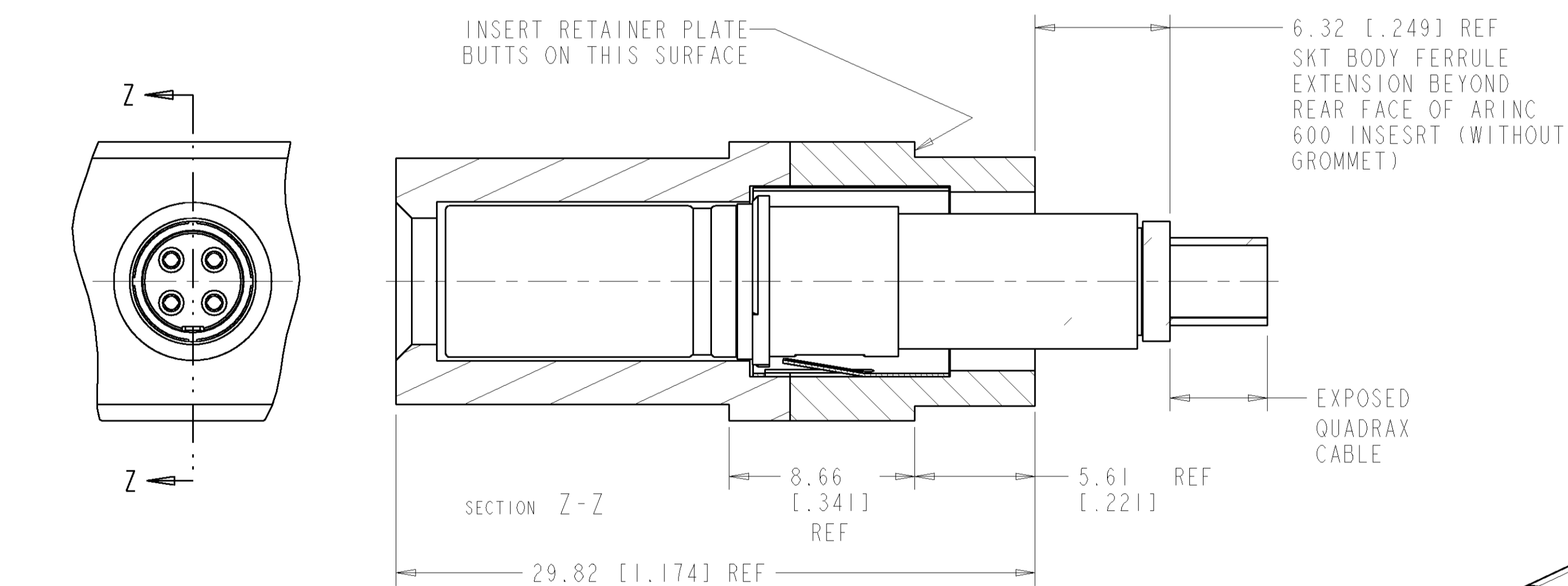
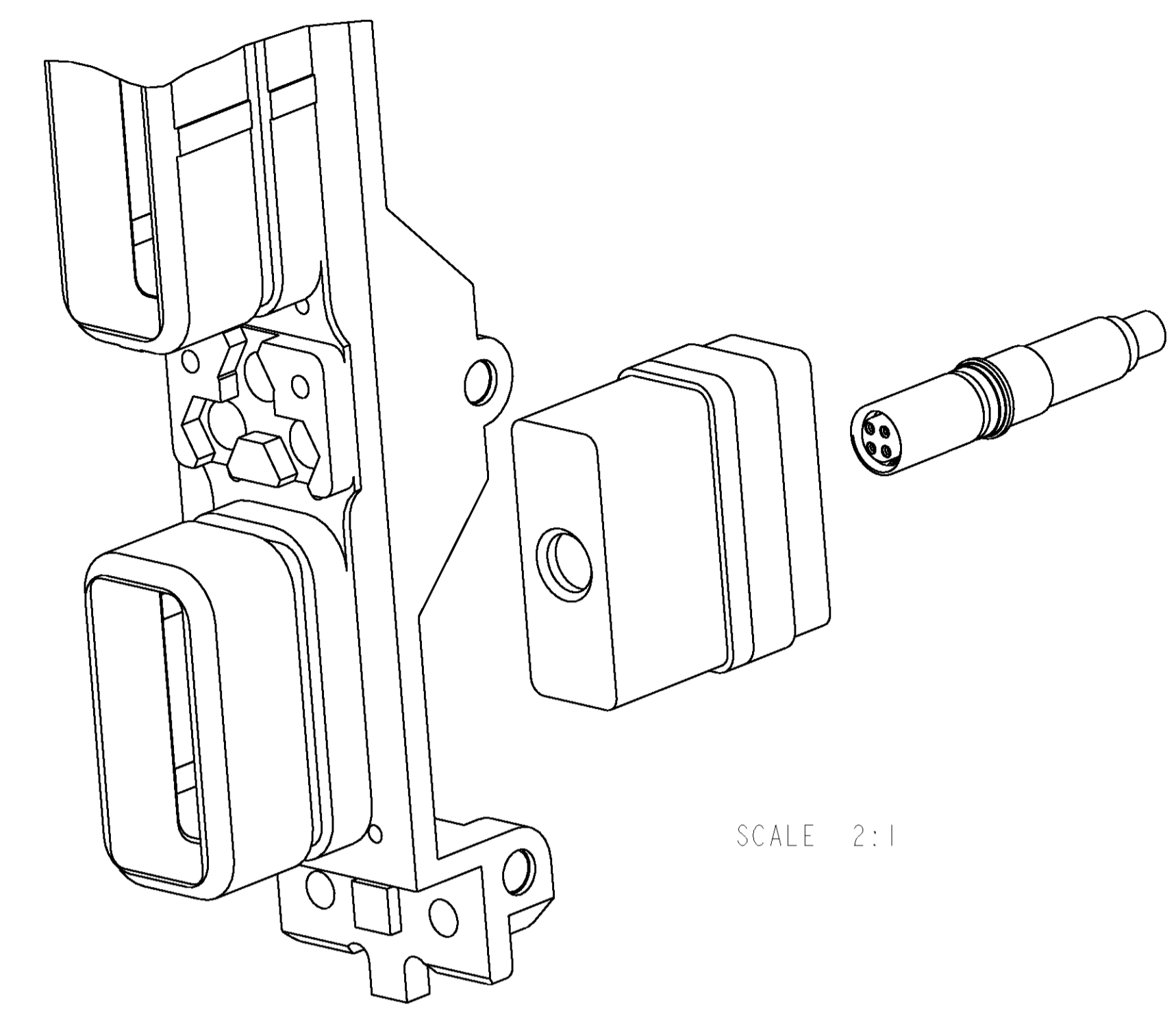
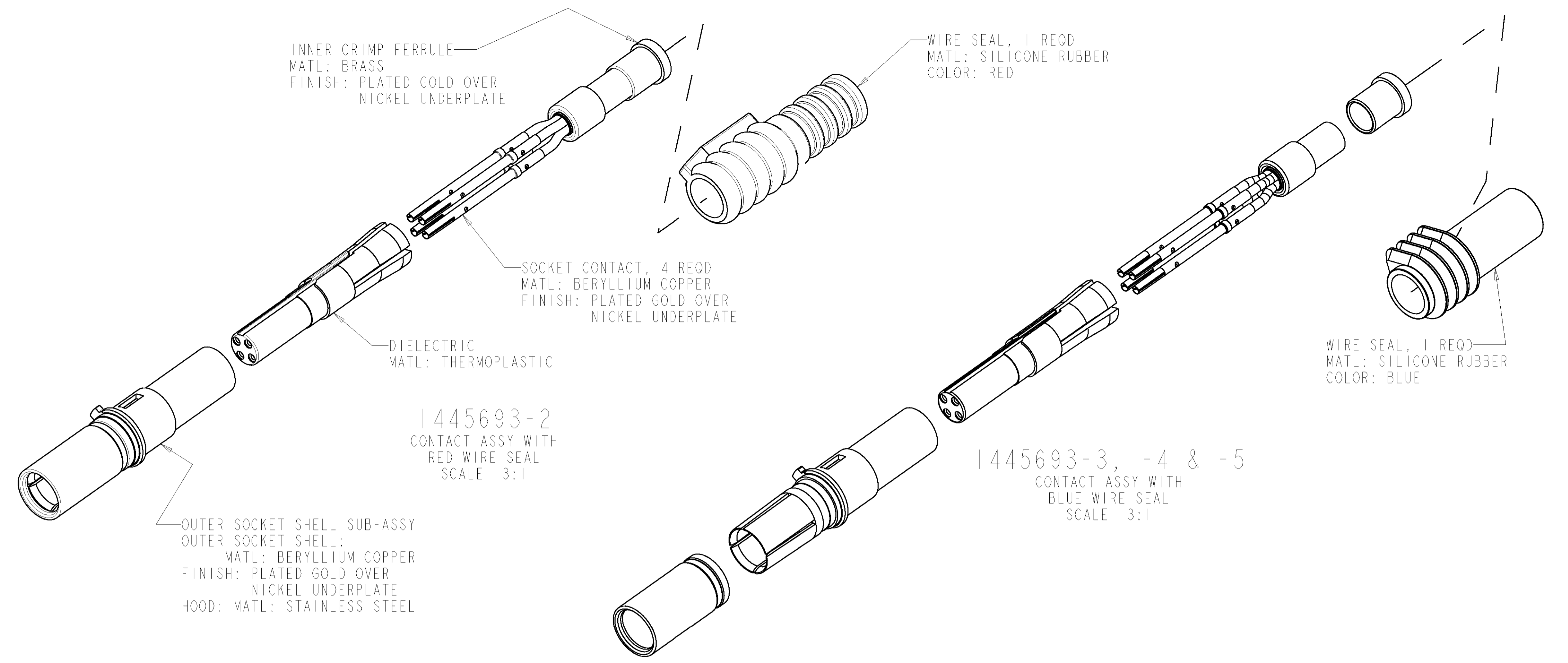


- COMPONENTS ARE PACKAGED IN KIT FORM. CABLE MUST BE PURCHASED SEPARATELY.
- ASSEMBLY PER APPLICATION SPECIFICATION 114-13123.
- USE INSERTION-EXTRACTION TOOL 1738894-1.
- ▲ TENSOLITE NF240I00 OR EQUIVALENT
- ▲ DRAKA F4704-4 OR EQUIVALENT

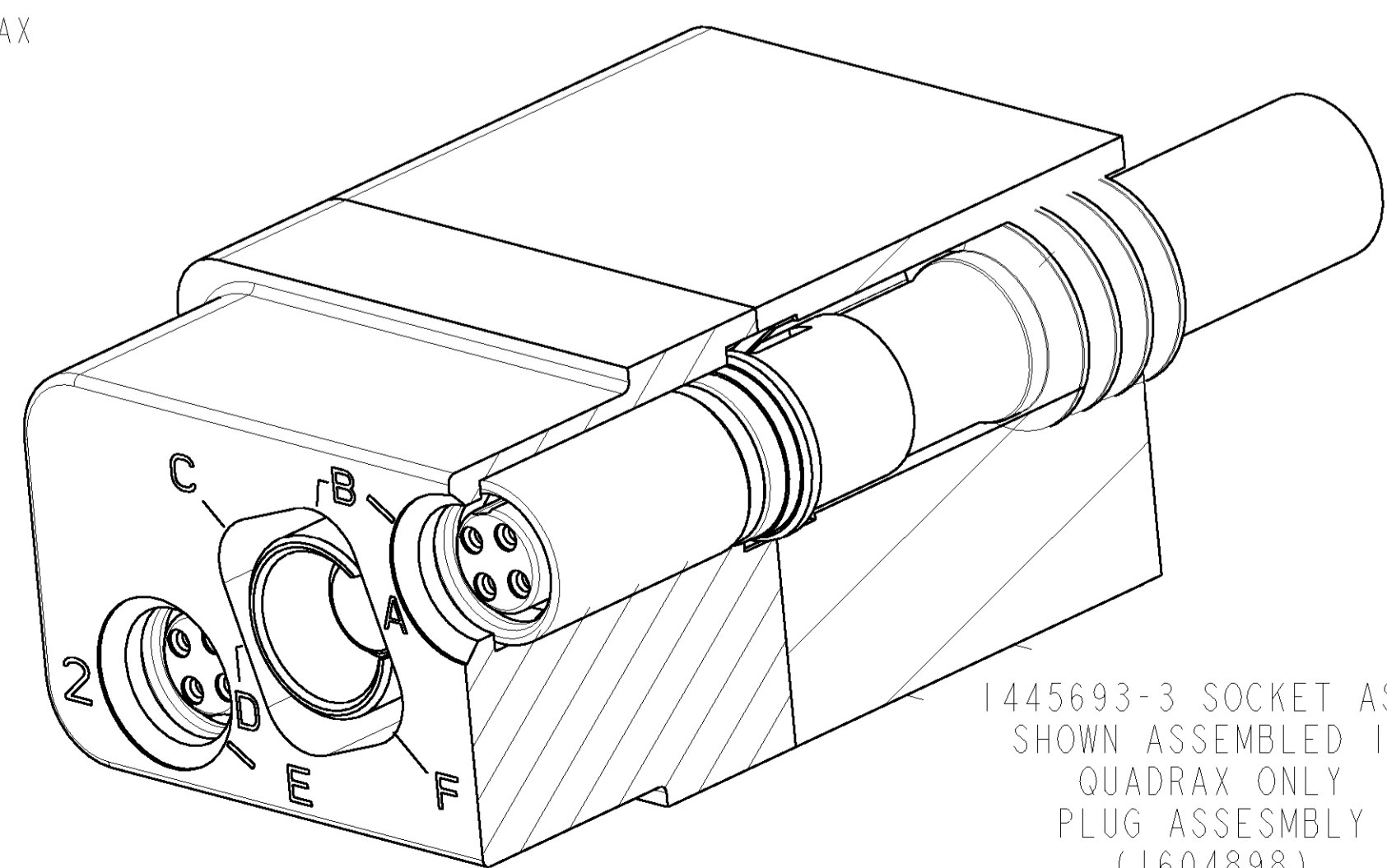
RECOMMENDED CABLE	CUSTOMER PART NUMBER	SEAL COLOR	DESCRIPTION	PART NO.
▲5	-	-	AS SHOWN WITHOUT WIRE SEAL	1445693-6
▲5	-	BLUE	AS SHOWN WITH WIRE SEAL	1445693-5
▲4	BACC47GB1	BLUE	SAME AS -1 EXCEPT WITH WIRE SEAL	1445693-4
▲4	---	BLUE	SAME AS -1 EXCEPT WITH WIRE SEAL	1445693-3
▲4	---	RED	SAME AS -1 EXCEPT WITH WIRE SEAL	1445693-2
▲4	---	--	AS SHOWN; WITHOUT WIRE SEAL	1445693-1

DIMENSIONS: mm [INCH]		TOLERANCES UNLESS OTHERWISE SPECIFIED:		DWG: 23JUNE2004 BRN: D. F. 23JUNE2004 CHK: W. H. BERNHART APPD: W. H. BERNHART		REV: 23JUNE2004		NAME: ASSEMBLY, SOCKET, QUADRAX, 2mm SQ, AIRCRAFT DATA NETWORK, RR/RR WITH SOCKET CONTACTS		TE Connectivity	
0 PLC	±	1 PLC	±0.2 [0.008]	PRODUCT SPEC	-	SIZE	CAGE CODE	DRAWING NO	RESTRICTED TO	SCALE 2:1 SHEET 1 OF 2 REV G1	
2 PLC	±0.13 [0.005]	3 PLC	±0.051 [0.002]	APPLICATION SPEC	-	WEIGHT	-	-	-	CUSTOMER DRAWING	
4 PLC	±	ANGLES	±	MATERIAL	-	FINISH	-	-	-	A 00779 C=1445693	

LOC	DIST	REV	DATE	BY	APPD
DF	A5				



QUADRAX SOCKET ASSY SHOWN INSTALLED IN STANDARD ARINC 600, SIZE 1 INSERT WITH REAR RELEASE, REAR REMOVABLE SIZE 8 QUADRAX CAVITY



DIMENSIONS: mm [INCH]		TOLERANCES UNLESS OTHERWISE SPECIFIED:		DWG: 23JUNE2004 BRNHD, 23JUNE2004 CHK: W.H.BERNHART, 23JUNE2004 APPD: W.H.BERNHART, 23JUNE2004		NAME: ASSEMBLY, SOCKET, QUADRAX, 2mm SQ, AIRCRAFT DATA NETWORK, RR/RR WITH SOCKET CONTACTS	
0 PLC	±	1 PLC	±0.2 [.008]	2 PLC	±0.13 [.005]	3 PLC	±0.051 [.002]
4 PLC	±	FINISH		WEIGHT		RESTRICTED TO	
MATERIAL		FINISH		WEIGHT		RESTRICTED TO	
CUSTOMER DRAWING				SCALE: 2:1		SHEET 2 OF 2 REV G1	