



Chipsmall Limited consists of a professional team with an average of over 10 year of expertise in the distribution of electronic components. Based in Hongkong, we have already established firm and mutual-benefit business relationships with customers from,Europe,America and south Asia,supplying obsolete and hard-to-find components to meet their specific needs.

With the principle of “Quality Parts,Customers Priority,Honest Operation,and Considerate Service”,our business mainly focus on the distribution of electronic components. Line cards we deal with include Microchip,ALPS,ROHM,Xilinx,Pulse,ON,Everlight and Freescale. Main products comprise IC,Modules,Potentiometer,IC Socket,Relay,Connector.Our parts cover such applications as commercial,industrial, and automotives areas.

We are looking forward to setting up business relationship with you and hope to provide you with the best service and solution. Let us make a better world for our industry!



## Contact us

Tel: +86-755-8981 8866 Fax: +86-755-8427 6832

Email & Skype: info@chipsmall.com Web: www.chipsmall.com

Address: A1208, Overseas Decoration Building, #122 Zhenhua RD., Futian, Shenzhen, China



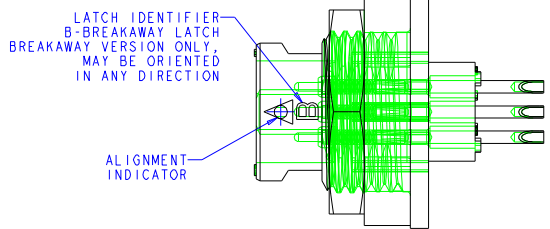
REV	DATE	BY	APP	DESCRIPTION
1				SEE SHEET 1

△ 3.18 MAX PANEL THICKNESS  
 △ PRELIMINARY PART NUMBER

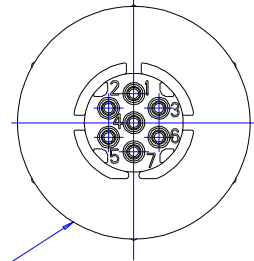
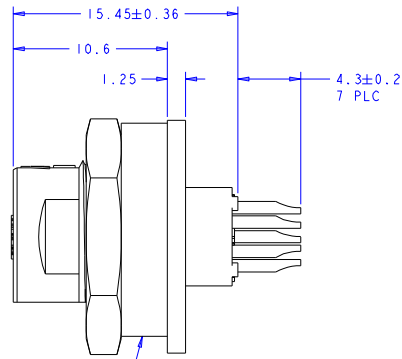
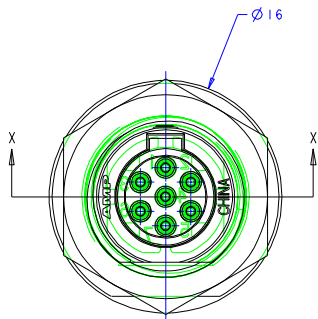
WHITE	1, 7.	2	BREAKAWAY	30°	△ 1-1445718-2
BLACK	1, 7.	2	POSITIVE	0°	△ 1-1445718-1
WHITE	2, 3, 7.	3	BREAKAWAY	30°	△ 1-1445718-0
BLACK	2, 3, 7.	3	POSITIVE	0°	△ 1445718-09
WHITE	2, 3, 5, 6.	4	BREAKAWAY	30°	△ 1445718-08
BLACK	2, 3, 5, 6.	4	POSITIVE	0°	△ 1445718-07
WHITE	2, 3, 4, 5, 6.	5	BREAKAWAY	30°	△ 1445718-06
BLACK	2, 3, 4, 5, 6.	5	POSITIVE	0°	△ 1445718-05
WHITE	1, 2, 3, 5, 6, 7.	6	BREAKAWAY	30°	△ 1445718-04
BLACK	1, 2, 3, 5, 6, 7.	6	POSITIVE	0°	△ 1445718-03
WHITE	ALL	7	BREAKAWAY	30°	△ 1445718-02
BLACK	ALL	7	POSITIVE	0°	1445718-01
HOUSING COLOR	CIRCUITS LOADED	QTY	LATCH	A REF	PART NUMBER

DATE: 31 JUL 2001		DATE: 31 JUL 2001		DATE: 31 JUL 2001	
DRAWN BY: SHANE WELSH		CHECKED BY: SHANE WELSH		DATE: 31 JUL 2001	
TYPED BY: SHANE WELSH		DATE: 31 JUL 2001		DATE: 31 JUL 2001	
TITLE: ASSEMBLY, RECEPTACLE, SPRING PROBE SOLDER CUP, PANEL MOUNT, 7 POSITION, MICRO CPC		PART NUMBER: 1445718		REV: 10	
SCALE: 6:1		SHEET: 2		OF: 2	

REV	DESCRIPTION	DATE	BY	CHKD
7	REVISED	13MAY03	BH	KD
8	ADDED 'B', A REF. 30° WAS 10°	5-28-03	GD	KD
9	REVISED	3-12-04	GD	KD
10	ADDED P.A.N.S. NOTES, HOUSING COLOR, SHEET 2.	4-14-04		

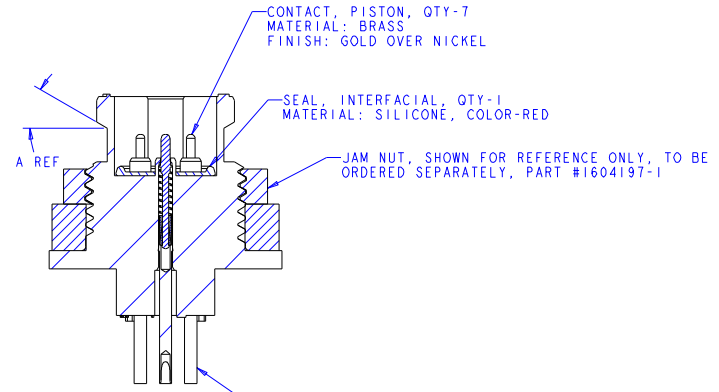


**THIS PRODUCT HAS NOT COMPLETED  
 VALIDATION TESTING**



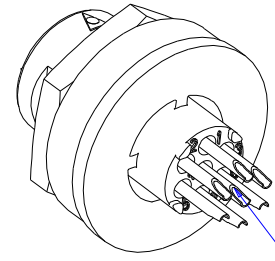
HOUSING, QTY-1  
 MATERIAL: THERMOPLASTIC, COLOR-SEE TABLE

GASKET, FLANGE, SHOWN FOR REFERENCE ONLY, TO BE ORDERED SEPARATELY, PART # 1445420-03



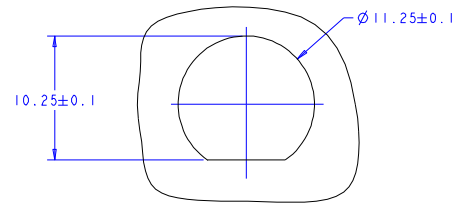
CONTACT, SOLDER CUP, QTY-7  
 MATERIAL: BRASS  
 FINISH: TIN-LEAD OVER NICKEL  
 SEE VIEW Z FOR CONTACT ORIENTATION.

SECTION X-X



VIEW Z

SOLDER TERMINATION AREA OF CONTACT IN CIRCUIT #4 MAY BE ORIENTED UP OR DOWN



△ SUGGESTED PANEL CUTOUT  
 SCALE 5:1

DIMENSIONS:		DATE: 31 JUL 2001		REV: 10	
DRAWING NO: 007719		SHEET: 1 OF 2		DATE: 31 JUL 2001	
MATERIAL: SEE CALLOUT		FINISH: SEE CALLOUT		CUSTOMER DRAWING	
SCALE: 6:1		SHEET: 1 OF 2		REV: 10	