



Chipsmall Limited consists of a professional team with an average of over 10 year of expertise in the distribution of electronic components. Based in Hongkong, we have already established firm and mutual-benefit business relationships with customers from,Europe,America and south Asia,supplying obsolete and hard-to-find components to meet their specific needs.

With the principle of "Quality Parts,Customers Priority,Honest Operation,and Considerate Service",our business mainly focus on the distribution of electronic components. Line cards we deal with include Microchip,ALPS,ROHM,Xilinx,Pulse,ON,Everlight and Freescale. Main products comprise IC,Modules,Potentiometer,IC Socket,Relay,Connector.Our parts cover such applications as commercial,industrial, and automotives areas.

We are looking forward to setting up business relationship with you and hope to provide you with the best service and solution. Let us make a better world for our industry!



Contact us

Tel: +86-755-8981 8866 Fax: +86-755-8427 6832

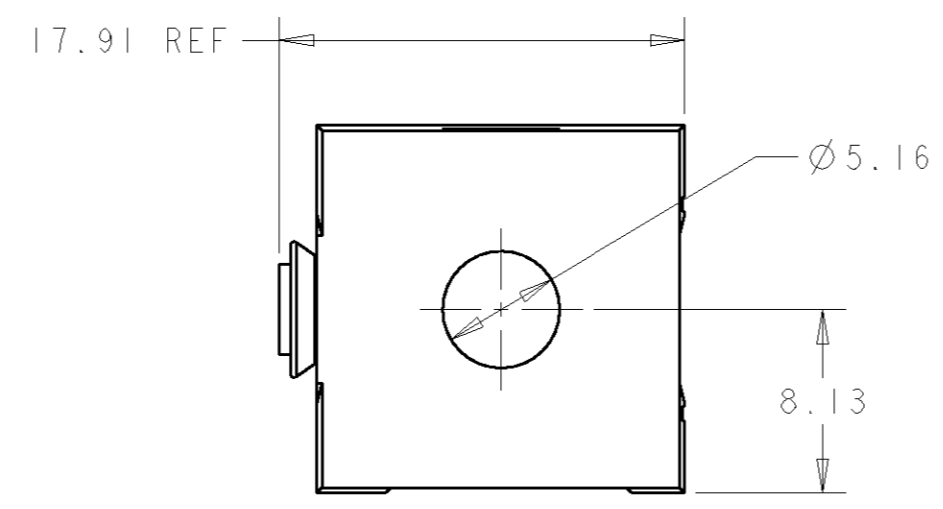
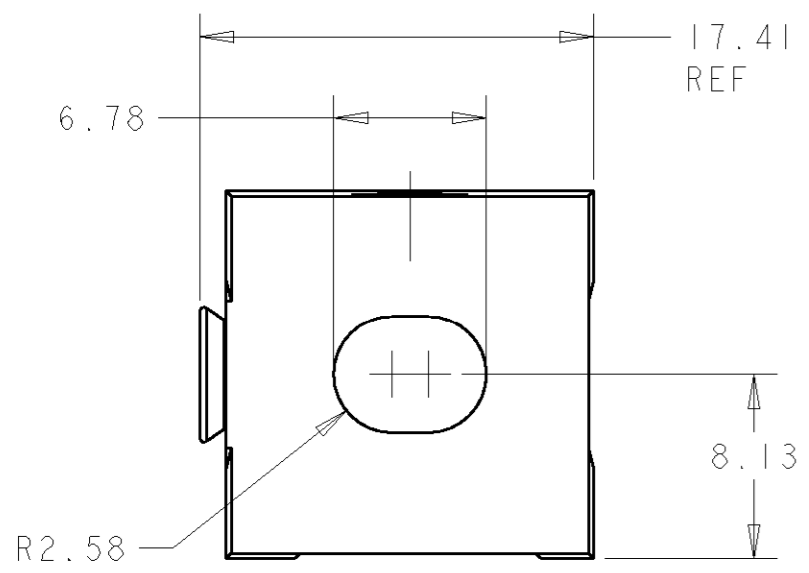
Email & Skype: info@chipsmall.com Web: www.chipsmall.com

Address: A1208, Overseas Decoration Building, #122 Zhenhua RD., Futian, Shenzhen, China

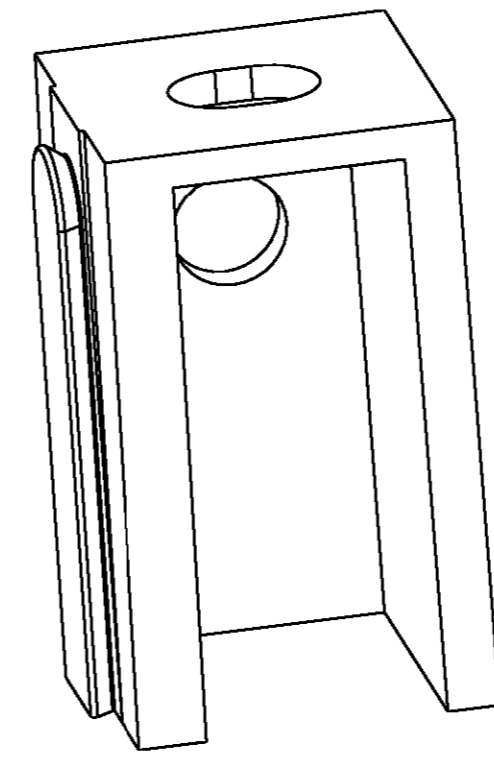


THIS DRAWING IS UNPUBLISHED. RELEASED FOR PUBLICATION 20
 © COPYRIGHT 20 BY TYCO ELECTRONICS CORPORATION. ALL RIGHTS RESERVED.

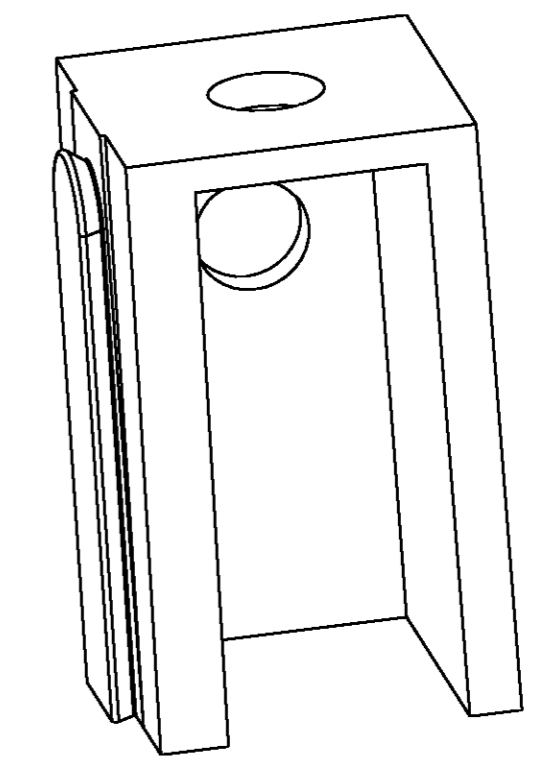
LOC	DIST	REVISIONS					
CM	00	P	LTR	DESCRIPTION	DATE	DWN	APVD
		O		RELEASED PER 063B-0026-03	19-FEB-03	KW	JE
		A		REVISED PER 063B-0057-03	11-APR-03	KW	JE



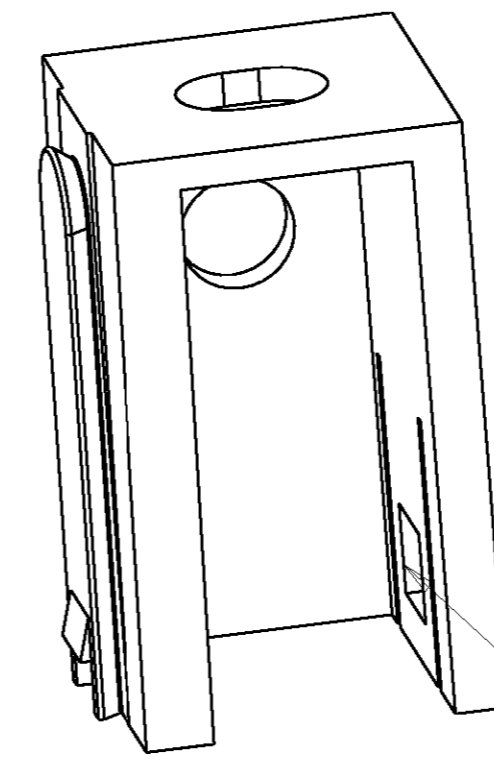
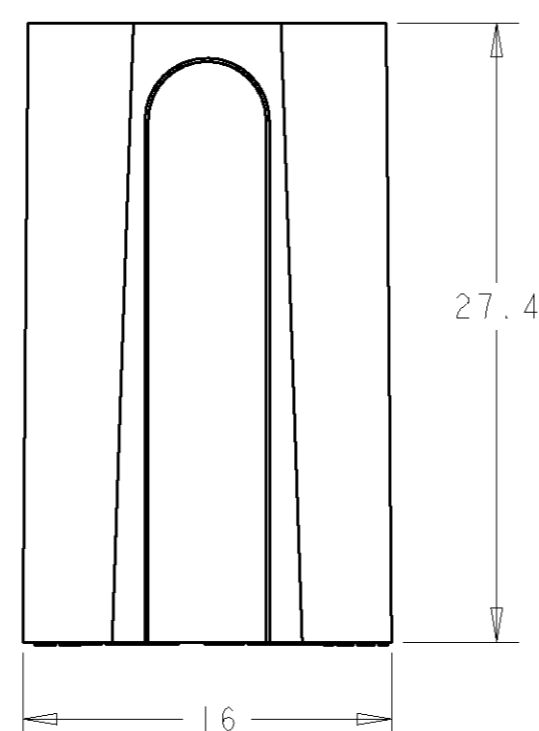
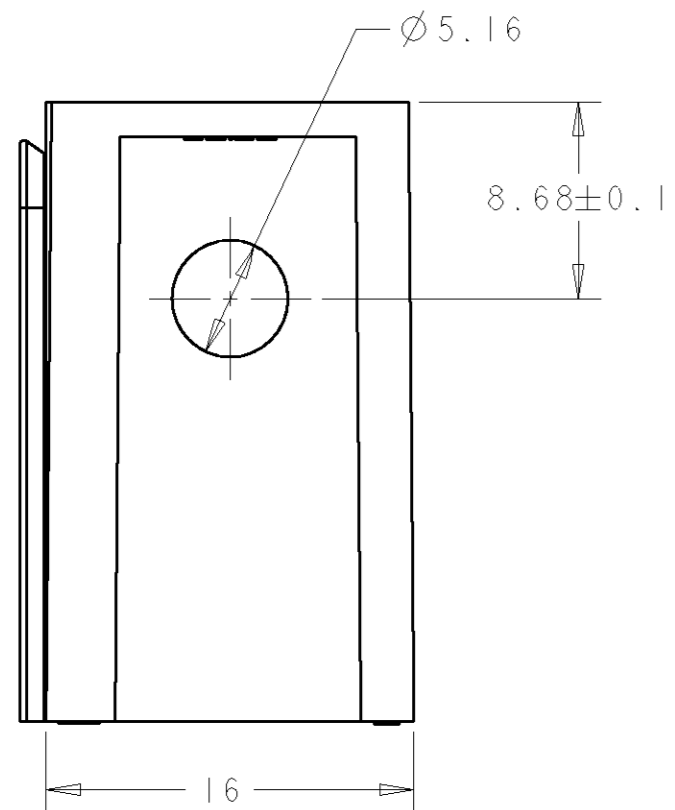
TOP VIEW OF 1445729-4
 SHOWING THE CIRCULAR
 MOUNTING HOLE ON 1445729-2
 AND 1445729-4



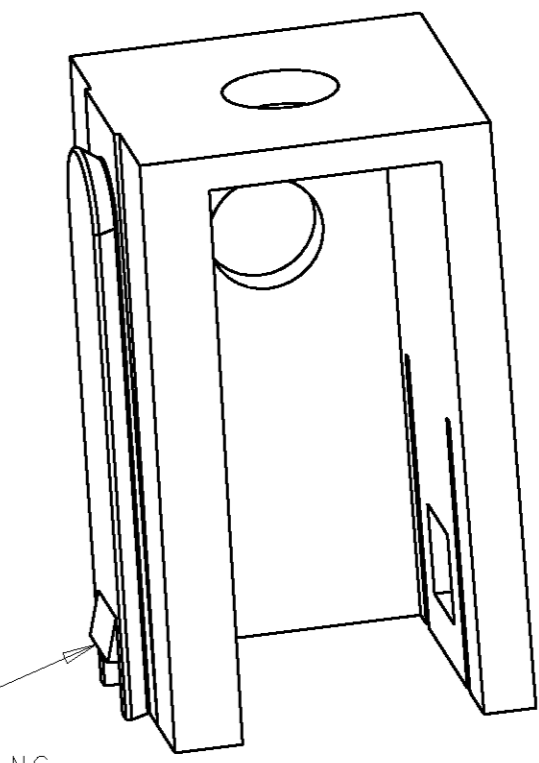
1445729-1
 WITHOUT LOCKING FEATURE,
 OVAL MOUNTING HOLE



1445729-2
 WITHOUT LOCKING FEATURE,
 CIRCULAR MOUNTING HOLE



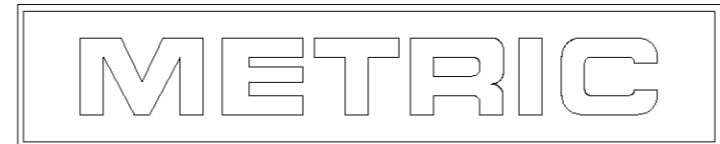
1445729-3
 WITH LOCKING FEATURE,
 OVAL MOUNTING HOLE



1445729-4
 WITH LOCKING FEATURE,
 CIRCULAR MOUNTING HOLE

1. MATERIAL: POLYCARBONATE UL94V0.
2. COLOR: BLUE.
3. PN 1445729-1 IS SHOWN. PLEASE REFERENCE ISOMETRIC VIEWS FOR ADDITIONAL PRODUCT OFFERINGS.

DESCRIPTION	PART NUMBER
WITH LOCKING FEATURE, ROUND MOUNTING HOLE	1445729-4
WITH LOCKING FEATURE, OVAL MOUNTING HOLE	1445729-3
WITHOUT LOCKING FEATURE, ROUND MOUNTING HOLE	1445729-2
WITHOUT LOCKING FEATURE, OVAL MOUNTING HOLE	1445729-1



THIS DRAWING IS A CONTROLLED DOCUMENT FOR TYCO ELECTRONICS CORPORATION. IT IS SUBJECT TO CHANGE AND THE CONTROLLING ENGINEERING ORGANIZATION SHOULD BE CONTACTED FOR THE LATEST REVISION.		DWN	BH	04OCT01	Tyco Electronics Harrisburg, PA 17105-3608
DIMENSIONS:		CHK	KAK	04OCT01	
TOLERANCES UNLESS OTHERWISE SPECIFIED:		APVD	KAK	04OCT01	
mm		PRODUCT SPEC		NAME	
0 PLC ±0.13 1 PLC ±0.13 2 PLC ±0.13 3 PLC ± 4 PLC ± ANGLES ± FINISH -		APPLICATION SPEC		MOUNTING WING, AMP POWER SERIES 75, SINGLE POLE	
MATERIAL -		WEIGHT -		SIZE	
		CUSTOMER DRAWING		CAGE CODE	
				DRAWING NO	
				RESTRICTED TO	
				A2 00779 C-1445729	
				SCALE 3:1 SHEET 1 OF 1 REV A	