



Chipsmall Limited consists of a professional team with an average of over 10 year of expertise in the distribution of electronic components. Based in Hongkong, we have already established firm and mutual-benefit business relationships with customers from,Europe,America and south Asia,supplying obsolete and hard-to-find components to meet their specific needs.

With the principle of "Quality Parts,Customers Priority,Honest Operation,and Considerate Service",our business mainly focus on the distribution of electronic components. Line cards we deal with include Microchip,ALPS,ROHM,Xilinx,Pulse,ON,Everlight and Freescale. Main products comprise IC,Modules,Potentiometer,IC Socket,Relay,Connector.Our parts cover such applications as commercial,industrial, and automotives areas.

We are looking forward to setting up business relationship with you and hope to provide you with the best service and solution. Let us make a better world for our industry!



Contact us

Tel: +86-755-8981 8866 Fax: +86-755-8427 6832

Email & Skype: info@chipsmall.com Web: www.chipsmall.com

Address: A1208, Overseas Decoration Building, #122 Zhenhua RD., Futian, Shenzhen, China



THIS DRAWING IS UNPUBLISHED. RELEASED FOR PUBLICATION 20
 © COPYRIGHT 20 BY TYCO ELECTRONICS CORPORATION. ALL RIGHTS RESERVED.

LOC	DIST	REVISIONS			
P	LTR	DESCRIPTION	DATE	DWN	APVD
FT	0	B	RELEASED EC 063B-0884-03	21JAN2004	SW HW

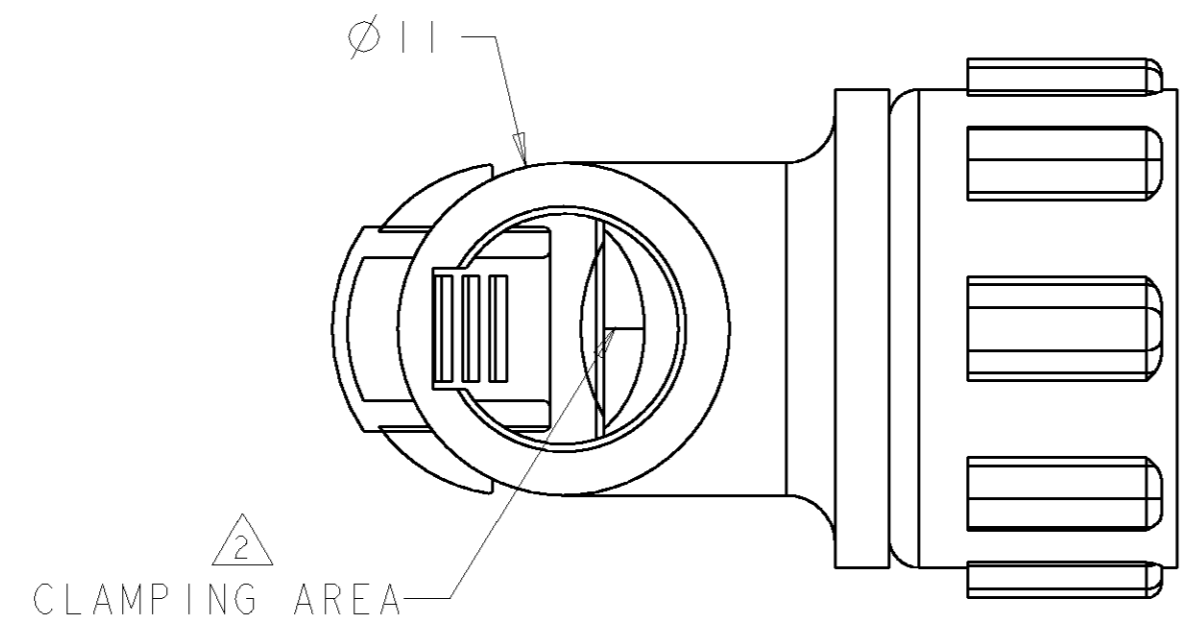
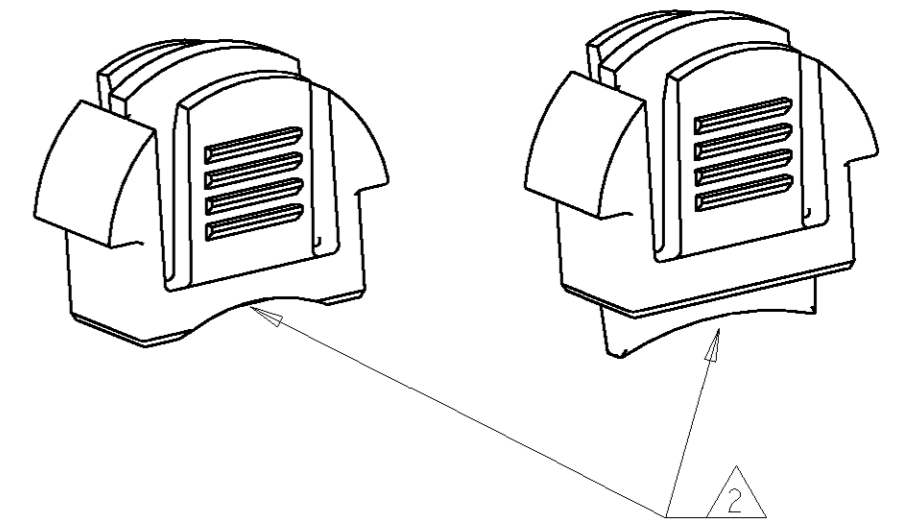
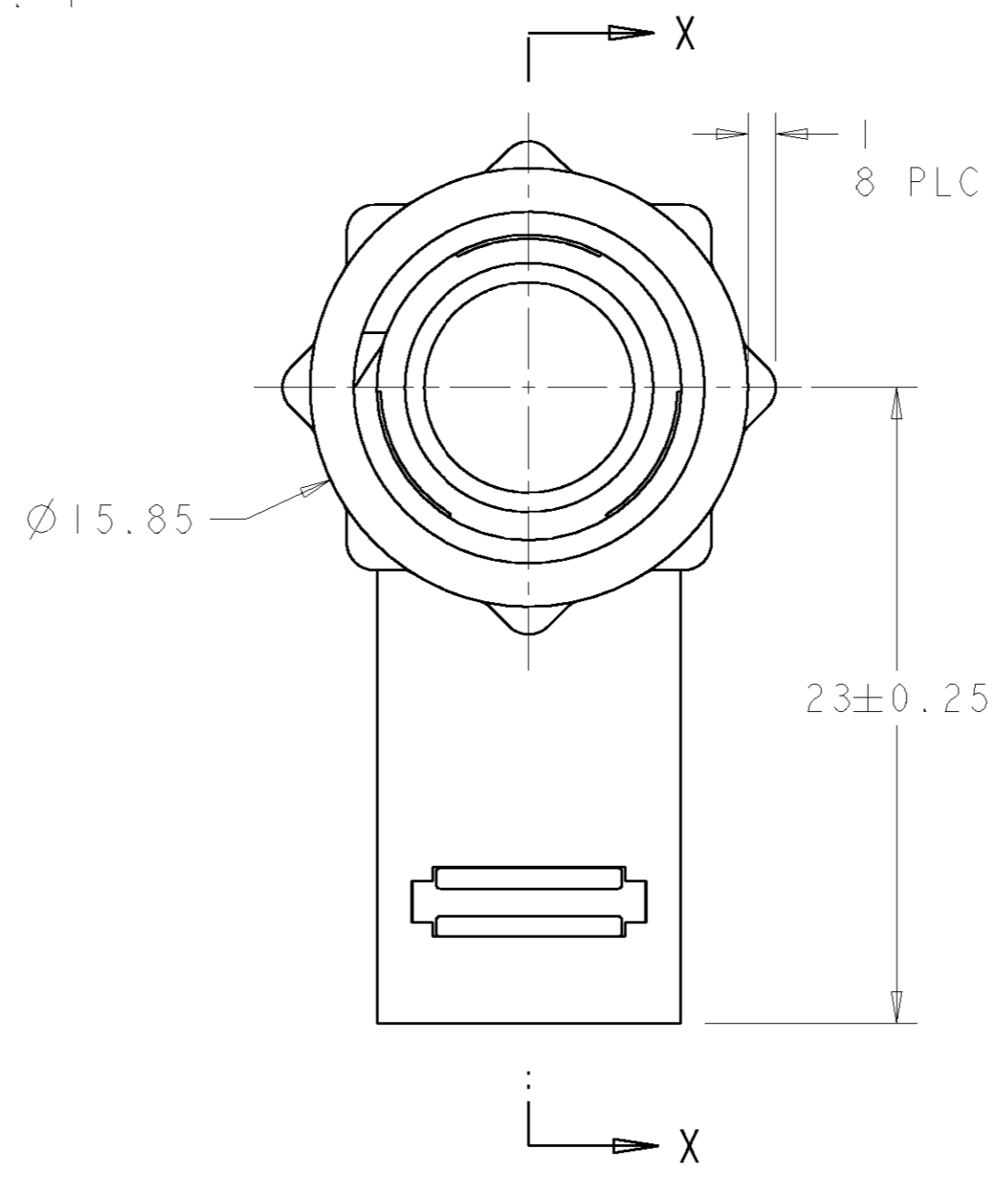
STRAIN RELIEF, RIGHT ANGLE
 THERMOPLASTIC, COLOR: BLACK
 QTY: 1

JAM NUT
 POLYESTER, COLOR: BLACK
 QTY: 1

THERMOPLASTIC, COLOR: BLACK
 CLAMP
 QTY: 2

25.8±0.6

SECTION X-X



- △ PARTS PACKAGED UNASSEMBLED.
- △ CABLE CLAMPING AREA ADJUSTABLE FROM 0.76mm² TO 15.8mm².
- 3. OUTSIDE CABLE DIAMETER: 4.4 MAXIMUM.

BULK	1445771-2
INDIVIDUAL	1445771-1
PACKAGING	PART NUMBER

THIS DRAWING IS A CONTROLLED DOCUMENT FOR TYCO ELECTRONICS CORPORATION. IT IS SUBJECT TO CHANGE AND THE CONTROLLING ENGINEERING ORGANIZATION SHOULD BE CONTACTED FOR THE LATEST REVISION.		DWN SHANE WIESE 21AUG2001	Tyco Electronics Harrisburg, PA 17105-3608	
DIMENSIONS: mm		CHK G. DOUITY 21AUG2001	NAME ASSEMBLY, STRAIN RELIEF, RIGHT ANGLE, MINI CPC	
TOLERANCES UNLESS OTHERWISE SPECIFIED:		APVD H. WAKEEM 21JAN2004	PRODUCT SPEC -	
0 PLC ±		APPLICATION SPEC -	SIZE A2	
1 PLC ±		WEIGHT -	CAGE CODE 00779	DRAWING NO 1445771
2 PLC ±0.13		CUSTOMER DRAWING	SCALE 4:1	RESTRICTED TO -
3 PLC ±			SHEET 1	REV B
4 PLC ±			OF 1	
ANGLES ±				
FINISH -				