



Chipsmall Limited consists of a professional team with an average of over 10 year of expertise in the distribution of electronic components. Based in Hongkong, we have already established firm and mutual-benefit business relationships with customers from,Europe,America and south Asia,supplying obsolete and hard-to-find components to meet their specific needs.

With the principle of “Quality Parts,Customers Priority,Honest Operation,and Considerate Service”,our business mainly focus on the distribution of electronic components. Line cards we deal with include Microchip,ALPS,ROHM,Xilinx,Pulse,ON,Everlight and Freescale. Main products comprise IC,Modules,Potentiometer,IC Socket,Relay,Connector.Our parts cover such applications as commercial,industrial, and automotives areas.

We are looking forward to setting up business relationship with you and hope to provide you with the best service and solution. Let us make a better world for our industry!



## Contact us

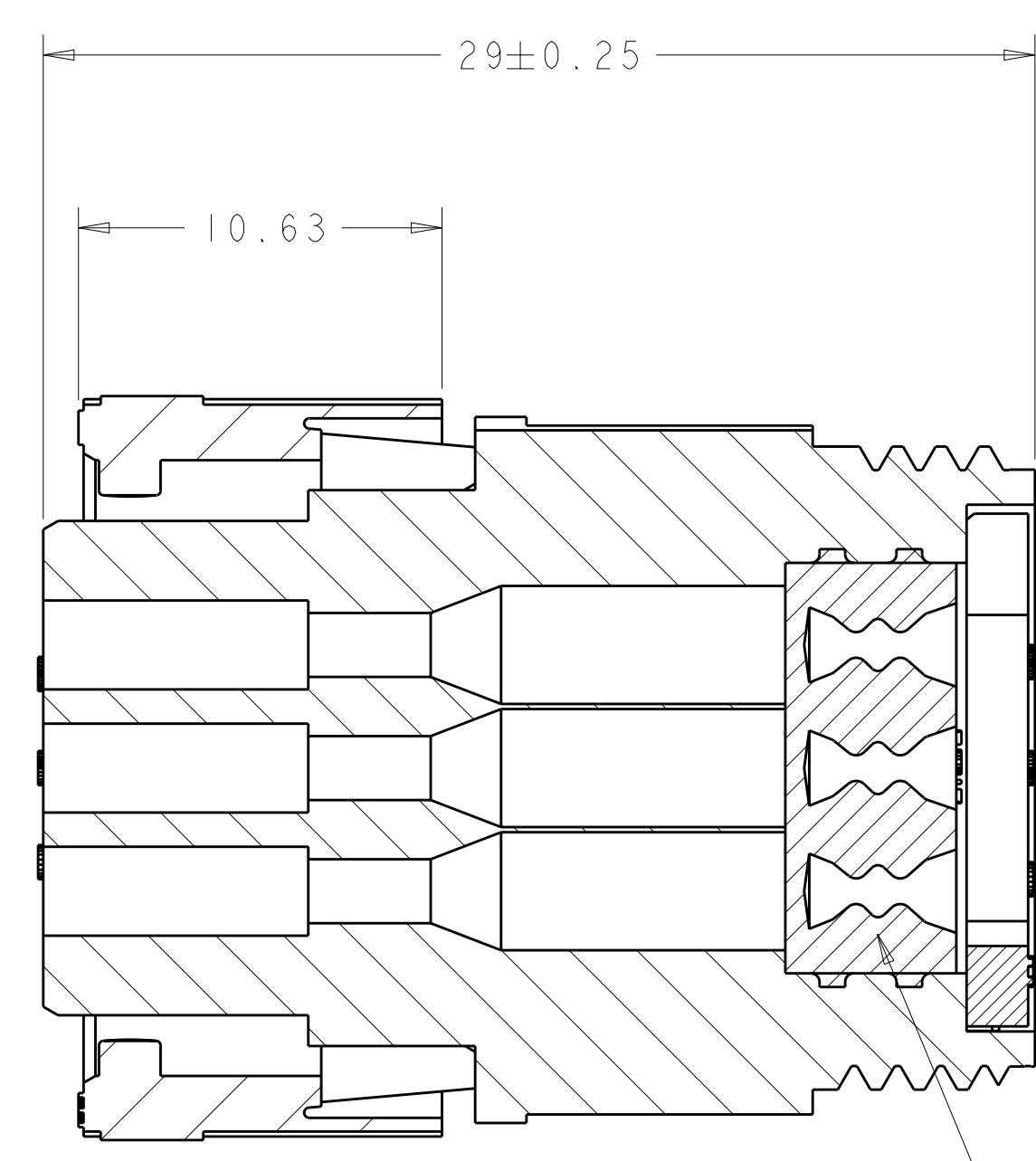
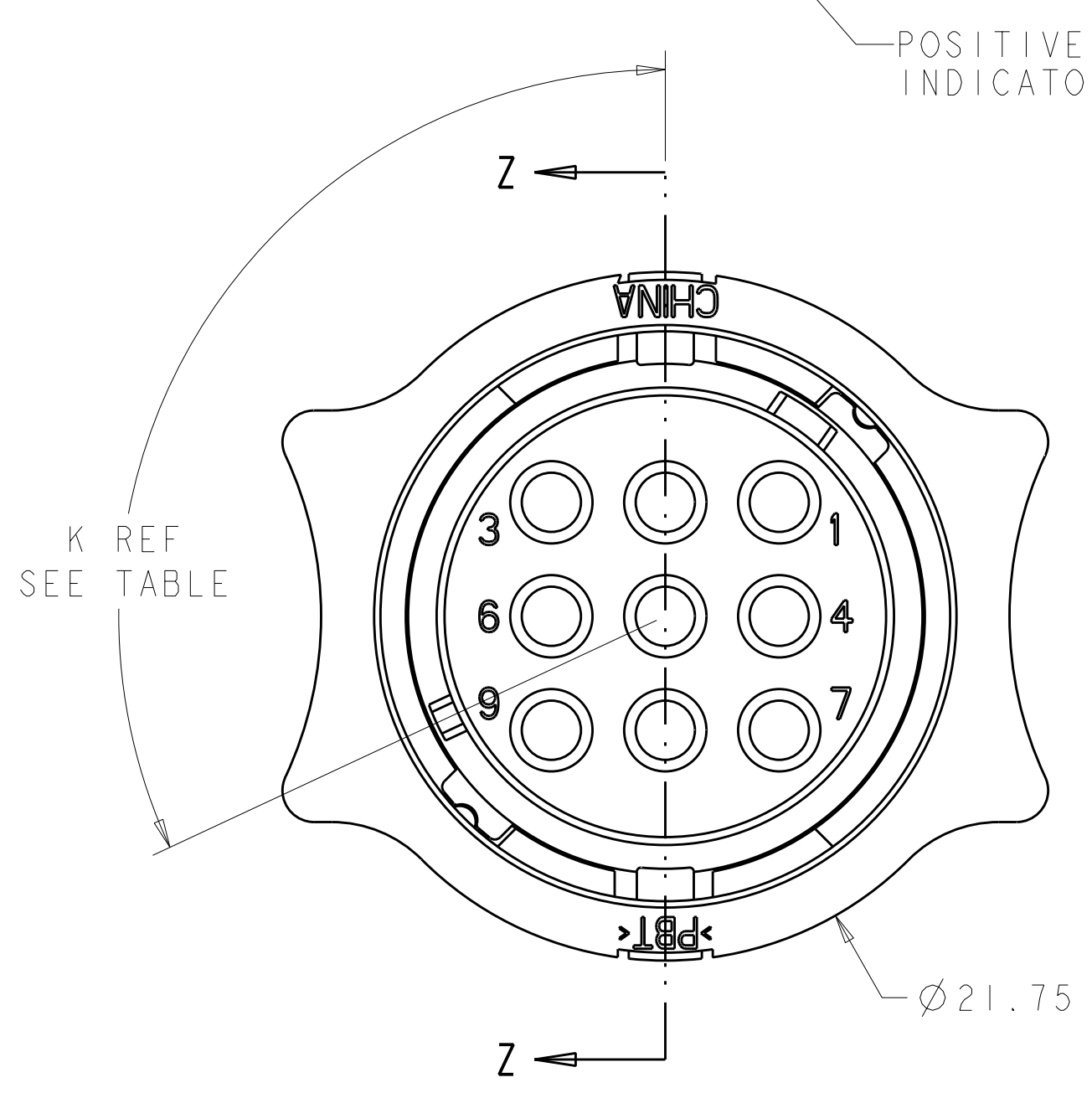
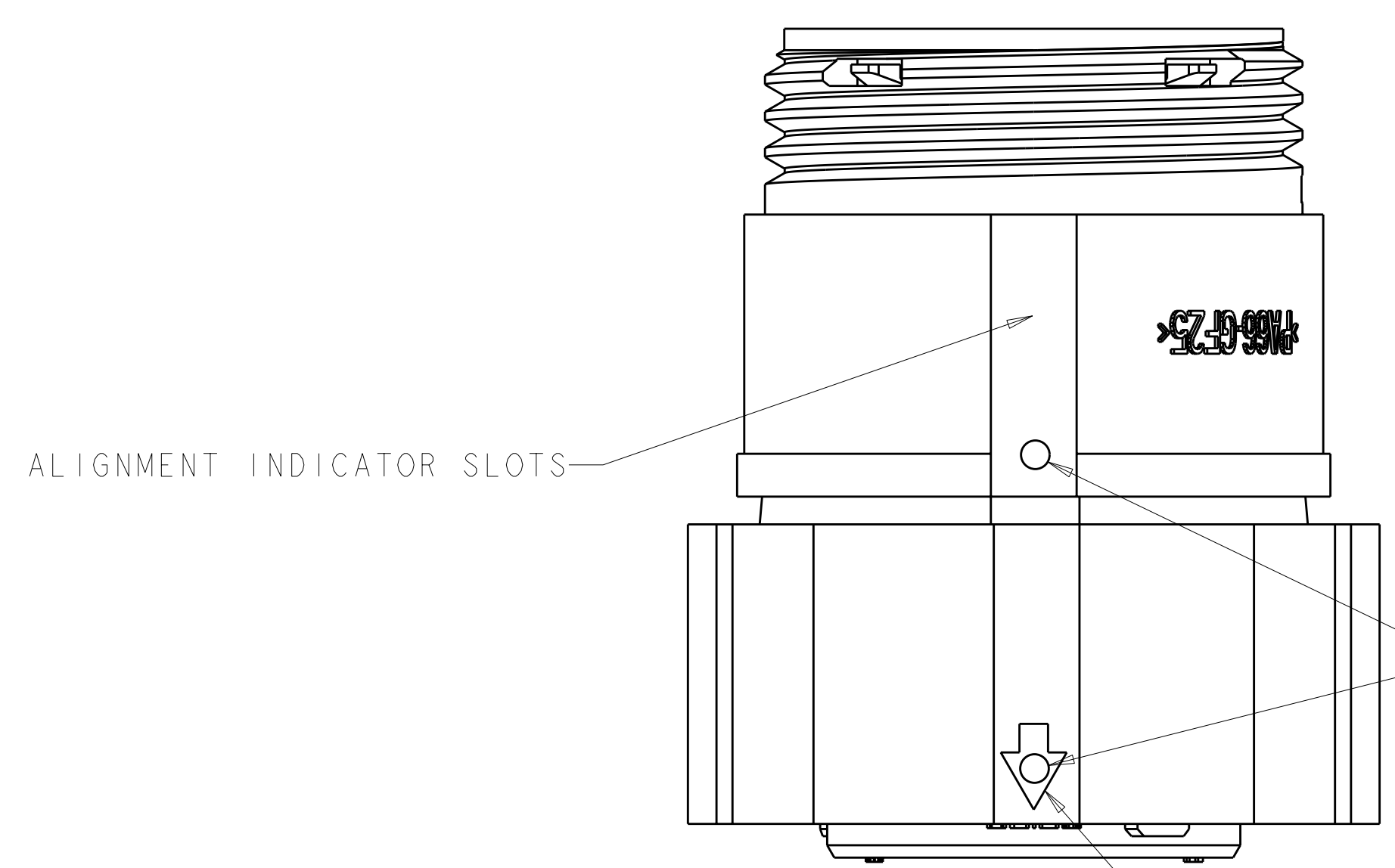
Tel: +86-755-8981 8866 Fax: +86-755-8427 6832

Email & Skype: info@chipsmall.com Web: www.chipsmall.com

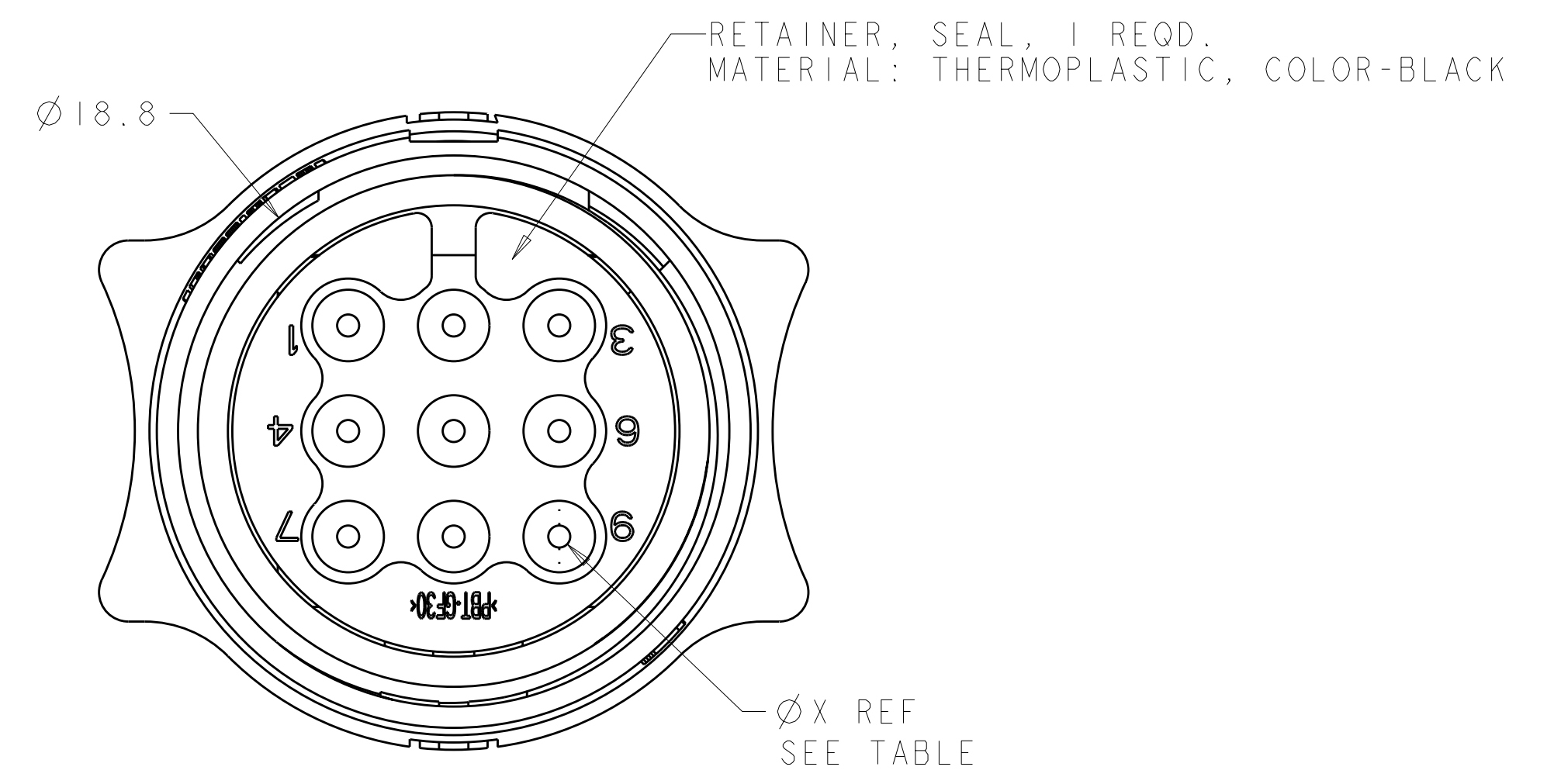
Address: A1208, Overseas Decoration Building, #122 Zhenhua RD., Futian, Shenzhen, China



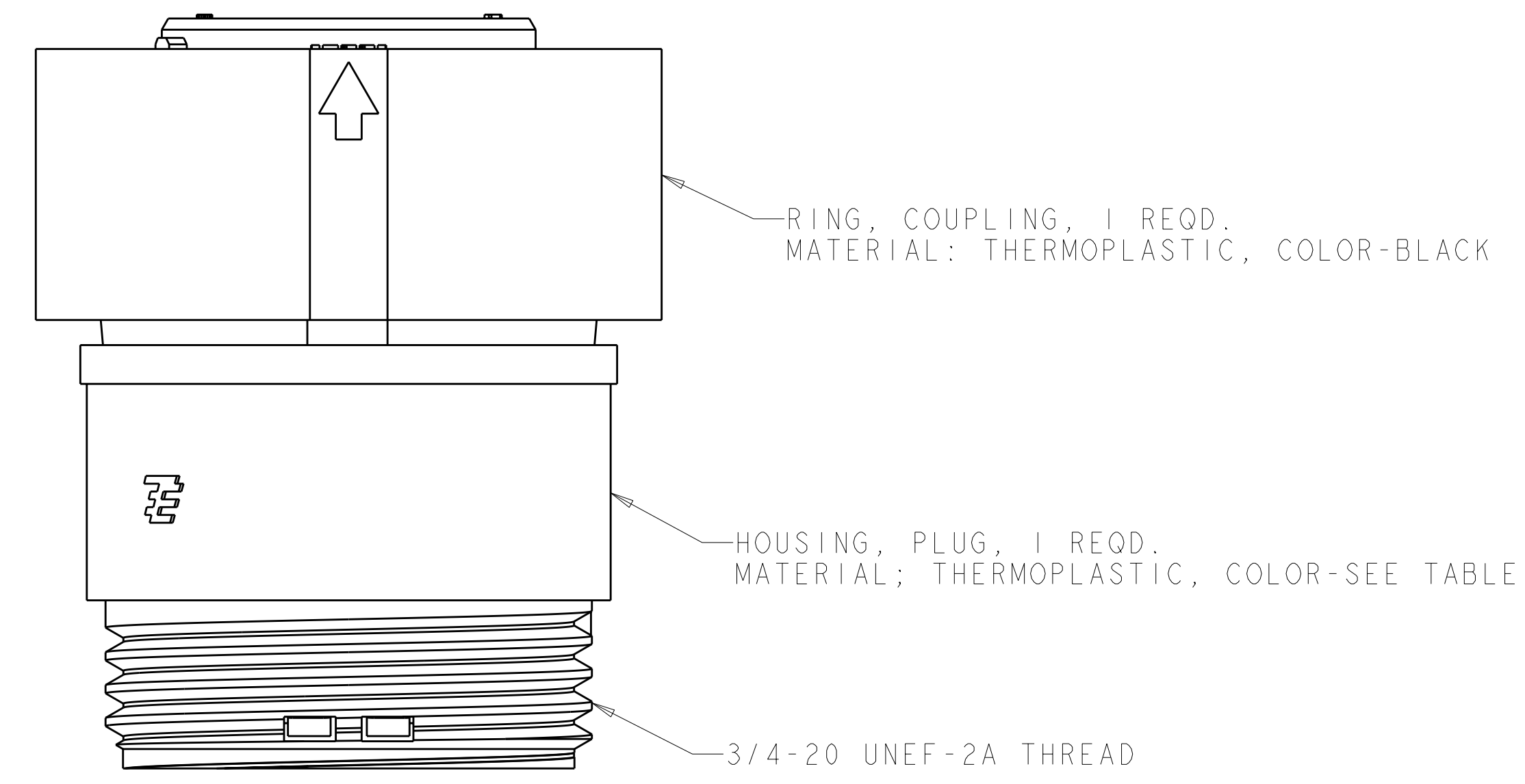
LOC	DIST	REVISIONS			
FT	0	REV	DATE	BY	CHKD
		D3	REVISD PER ECO-11-005027	18MAR2011	RK HMR



SECTION Z-Z



SEAL, WIRE ENTRY, 1 REQD.  
MATERIAL: ELASTOMER, COLOR-SEE TABLE



## QUALIFICATION TEST PENDING

OBSOLETE	Ø 1.5	135°	B	NATURAL	BROWN	1445807-7
OBSOLETE	Ø 0.75	135°	B	YELLOW	RED	1445807-4
OBSOLETE	Ø 1.5	115°	A	NATURAL	BLACK	1445807-3
OBSOLETE	Ø 1.5	135°	B	NATURAL	RED	1445807-2
	Ø 0.75	115°	A	YELLOW	BLACK	1445807-1
	Ø X REF	K REF	KEYING CODE	WIRE ENTRY SEAL COLOR	HOUSING COLOR	PART NUMBER

THIS DRAWING IS A CONTROLLED DOCUMENT.

DIMENSIONS: mm  
 TOLERANCES UNLESS OTHERWISE SPECIFIED:  
 9 PLC ±  
 5 PLC ±0.13  
 4 PLC ±  
 ANGLES ±  
 FINISH

DWN: SHANE WUEST 15OCT2001  
 CHK: G DOUTY 15OCT2001  
 APVD: H WAKEEM 13JUN2003

**STE** TE Connectivity  
 NAME: ASSEMBLY, PLUG, SIZE 11, 9 POSITION, SEALED, MINI CPC  
 SIZE: A100779 C=1445807  
 SCALE: 5:1 SHEET 1 OF 1 REV D3

MATERIAL: SEE CALLOUT  
 WEIGHT: -  
 CUSTOMER DRAWING