



Chipsmall Limited consists of a professional team with an average of over 10 year of expertise in the distribution of electronic components. Based in Hongkong, we have already established firm and mutual-benefit business relationships with customers from,Europe,America and south Asia,supplying obsolete and hard-to-find components to meet their specific needs.

With the principle of “Quality Parts,Customers Priority,Honest Operation,and Considerate Service”,our business mainly focus on the distribution of electronic components. Line cards we deal with include Microchip,ALPS,ROHM,Xilinx,Pulse,ON,Everlight and Freescale. Main products comprise IC,Modules,Potentiometer,IC Socket,Relay,Connector.Our parts cover such applications as commercial,industrial, and automotives areas.

We are looking forward to setting up business relationship with you and hope to provide you with the best service and solution. Let us make a better world for our industry!



Contact us

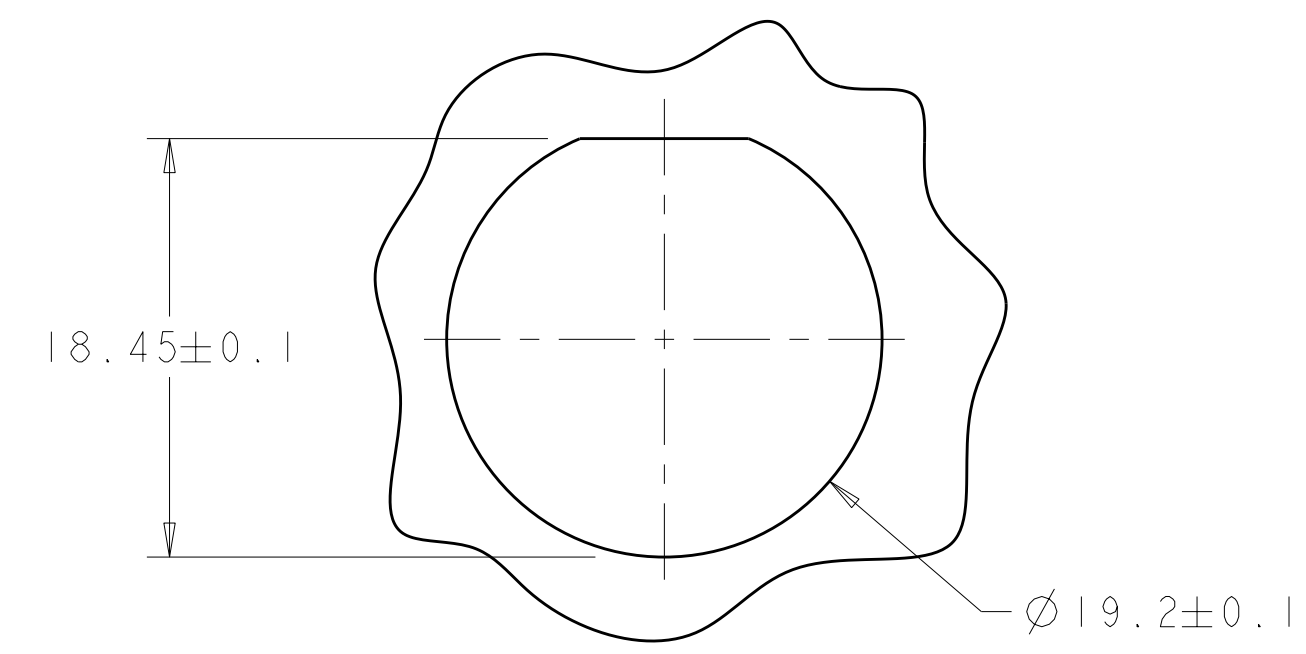
Tel: +86-755-8981 8866 Fax: +86-755-8427 6832

Email & Skype: info@chipsmall.com Web: www.chipsmall.com

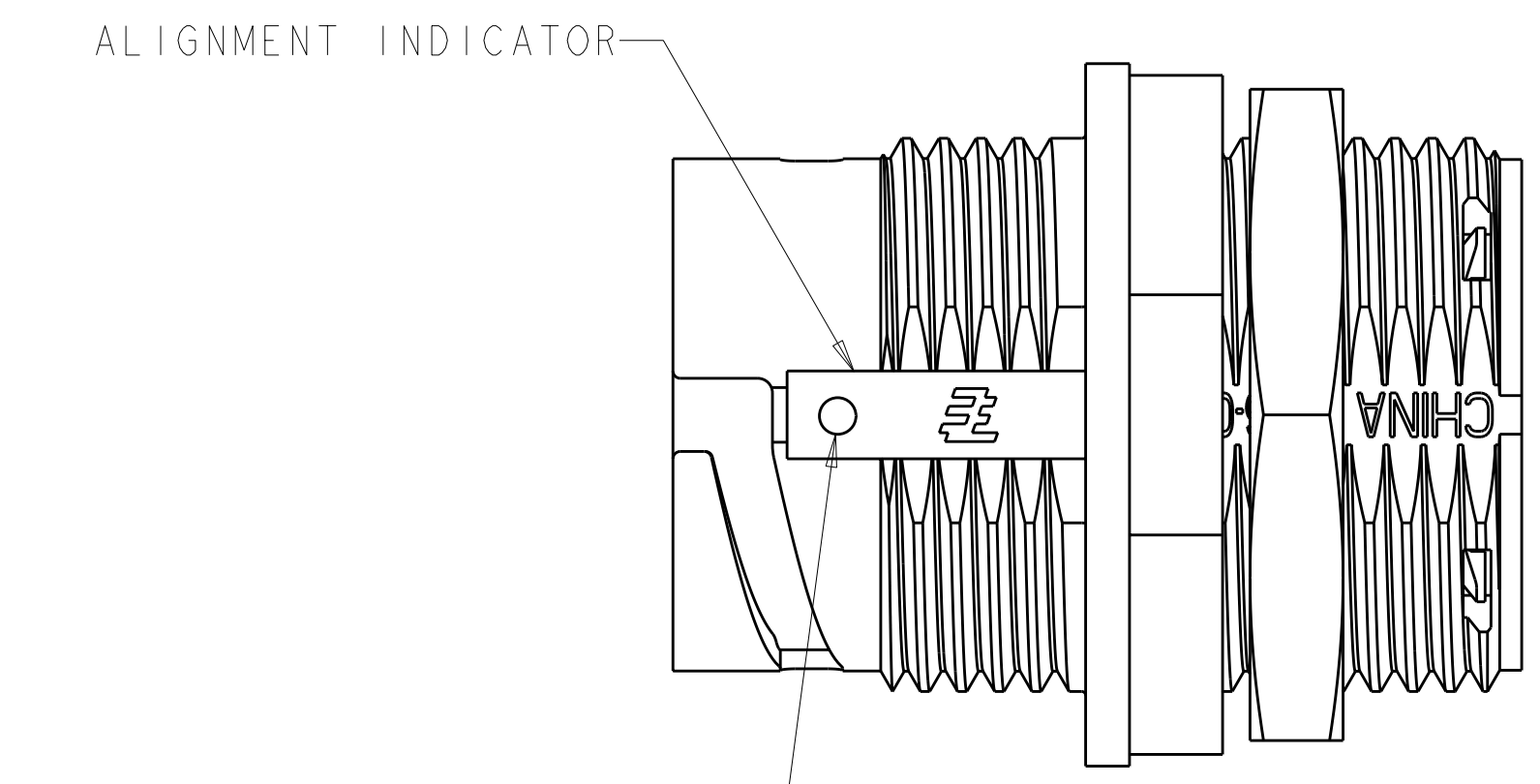
Address: A1208, Overseas Decoration Building, #122 Zhenhua RD., Futian, Shenzhen, China



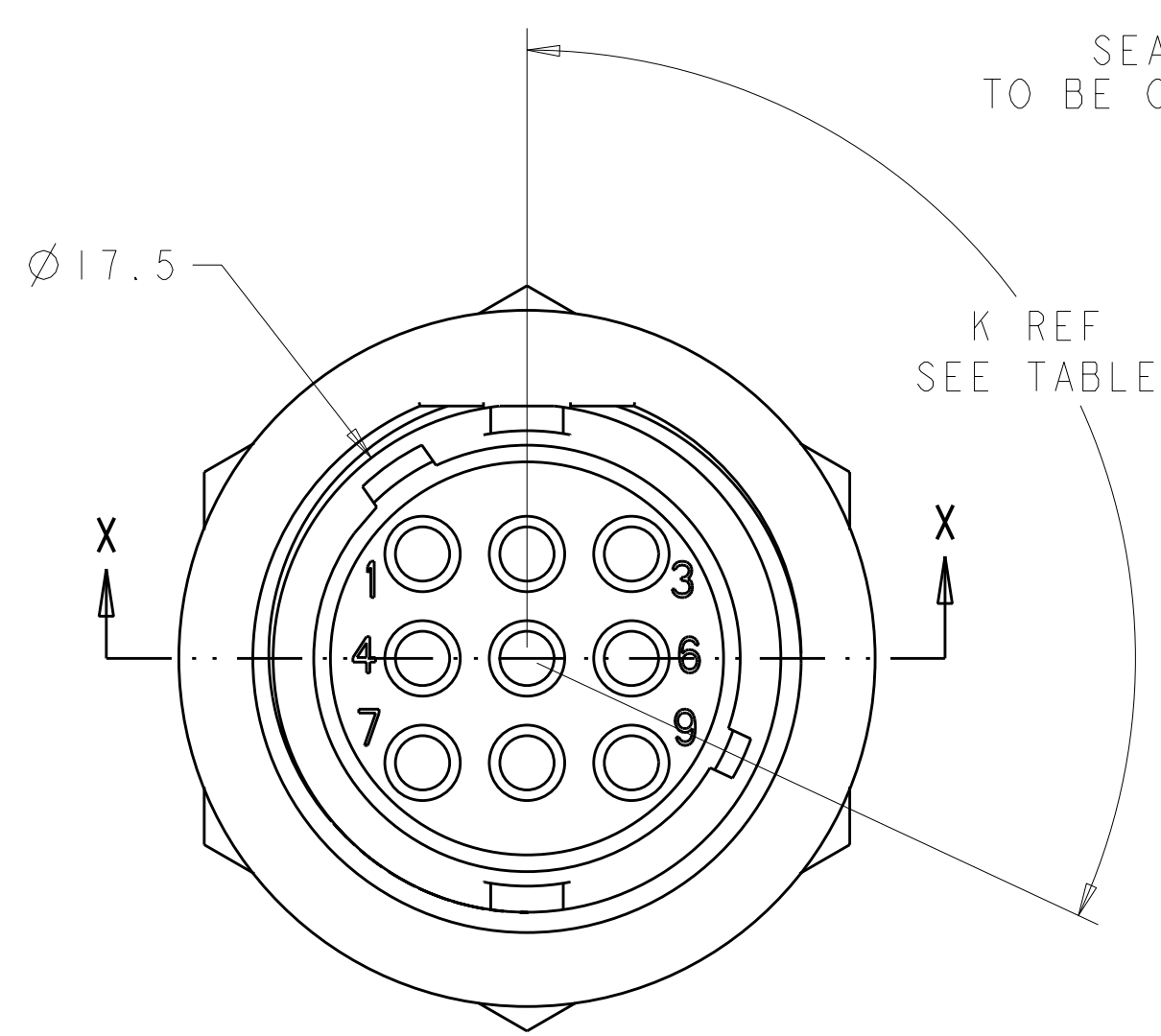
LOC	DIST	REVISIONS			
FT	0	REV	DATE	BY	APPD
		C2	REVIS PER ECO-11-004917	12MAR2011	RK HMR



SUGGESTED PANEL CUTOUT
 SCALE 3:1

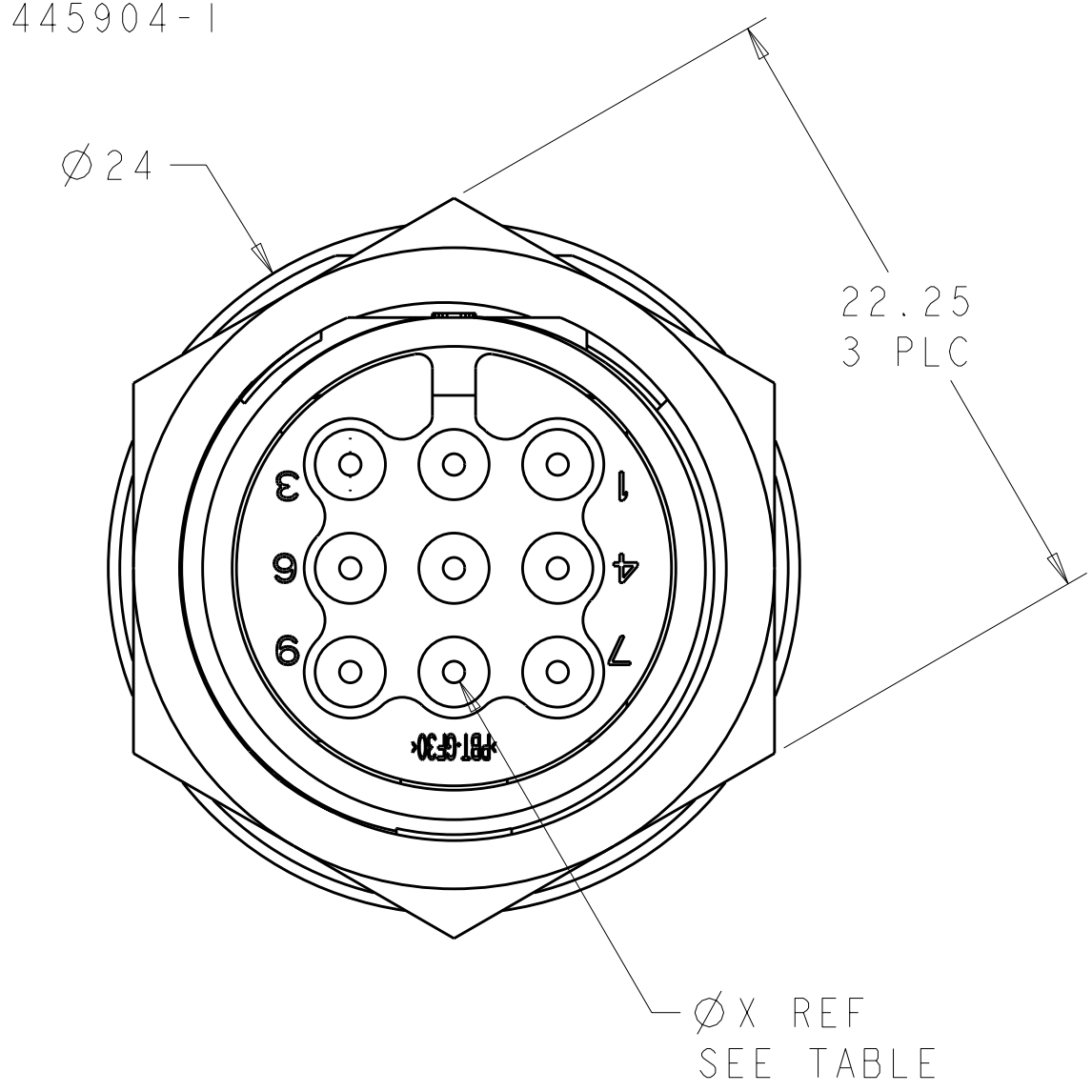
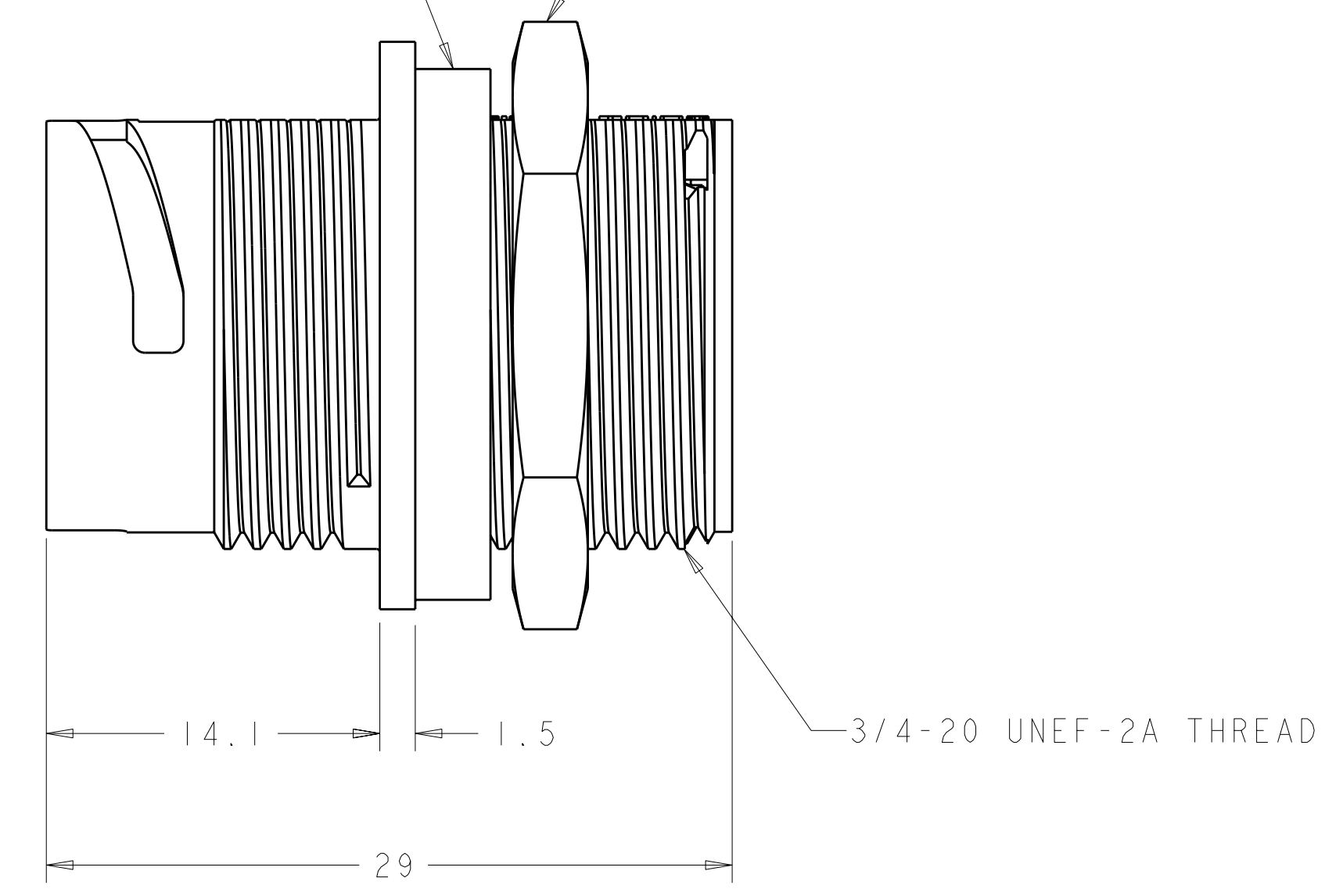


- 1. CONNECTOR CAN BE FRONT OR REAR PANEL MOUNTED.
- △ MAX PANEL THICKNESS - 3.18

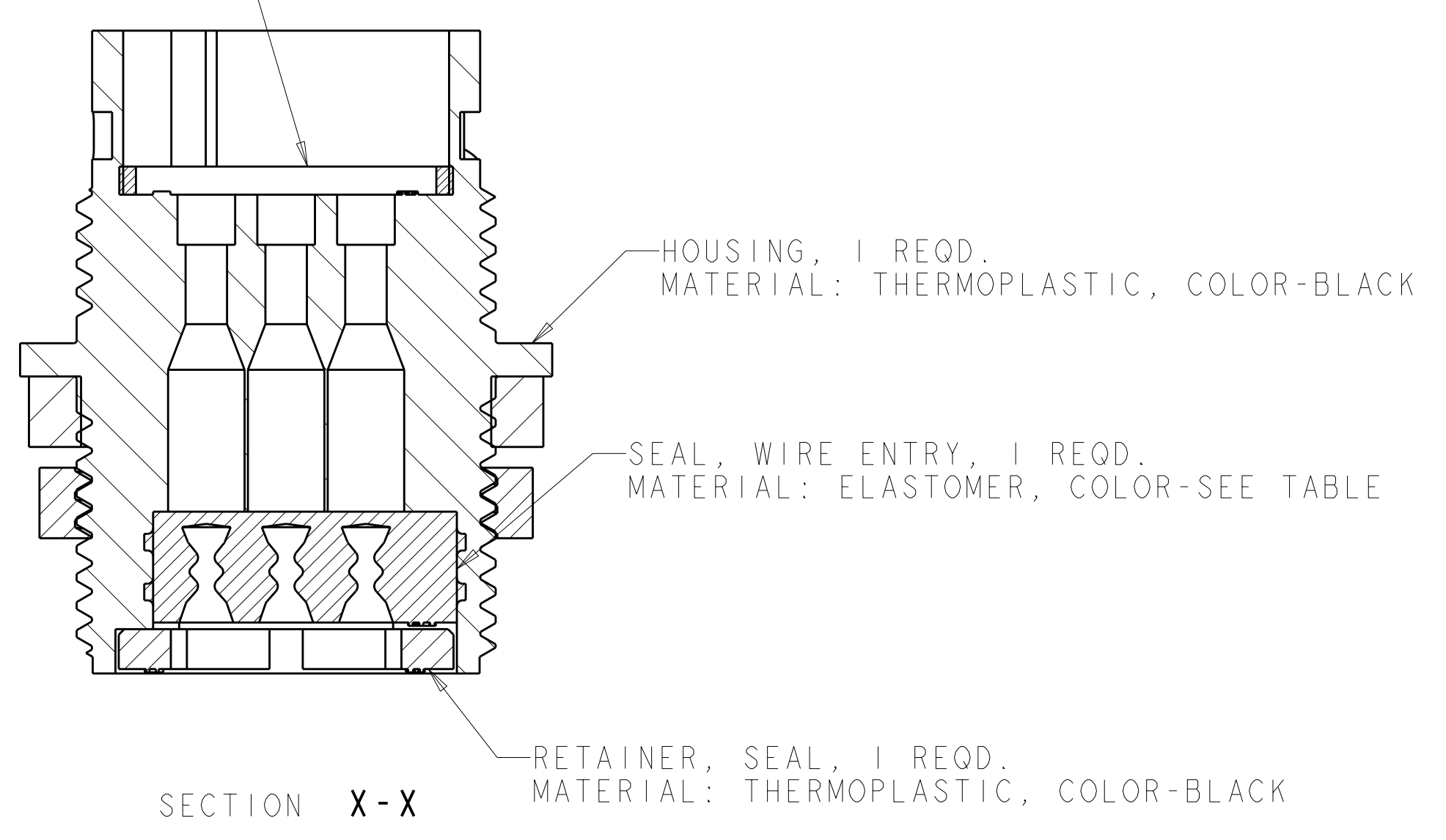


SEAL, PANEL; SHOWN FOR REFERENCE ONLY, TO BE ORDERED SEPARATELY, PART #1445420-02

JAM NUT, SHOWN FOR REFERENCE ONLY, TO BE ORDERED SEPARATELY, PART # 1445904-1



SEAL, PERIPHERAL, 1 REQD.
 MATERIAL: ELASTOMER, COLOR-GRAY



QUALIFICATION TEST PENDING

Ø 1.5	135°	B	NATURAL	BROWN	1445816-7
Ø 0.75	135°	B	YELLOW	RED	1445816-4
Ø 1.5	115°	A	NATURAL	BLACK	1445816-3
Ø 1.5	135°	B	NATURAL	RED	1445816-2
Ø 0.75	115°	A	YELLOW	BLACK	1445816-1
Ø X REF	K REF	KEYING CODE	WIRE ENTRY SEAL COLOR	HOUSING COLOR	PART NUMBER

THIS DRAWING IS A CONTROLLED DOCUMENT.

APPROVED: SHANE WUEST, 12OCT2001
 CHK: G DOUTY, 12OCT2001
 APVD: H WAKEEM, 13JUN2003

NAME: ASSEMBLY, RECEPTACLE, SIZE 11, 9 POSITION, PANEL MOUNT, SEALED, MINI CPC

SIZE: A100779 CAGE CODE: C=1445816 DRAWING NO: 1445816-1

SCALE: 3:1 SHEET: 1 OF 1 REV: C2