



Chipsmall Limited consists of a professional team with an average of over 10 year of expertise in the distribution of electronic components. Based in Hongkong, we have already established firm and mutual-benefit business relationships with customers from,Europe,America and south Asia,supplying obsolete and hard-to-find components to meet their specific needs.

With the principle of “Quality Parts,Customers Priority,Honest Operation,and Considerate Service”,our business mainly focus on the distribution of electronic components. Line cards we deal with include Microchip,ALPS,ROHM,Xilinx,Pulse,ON,Everlight and Freescale. Main products comprise IC,Modules,Potentiometer,IC Socket,Relay,Connector.Our parts cover such applications as commercial,industrial, and automotives areas.

We are looking forward to setting up business relationship with you and hope to provide you with the best service and solution. Let us make a better world for our industry!



## Contact us

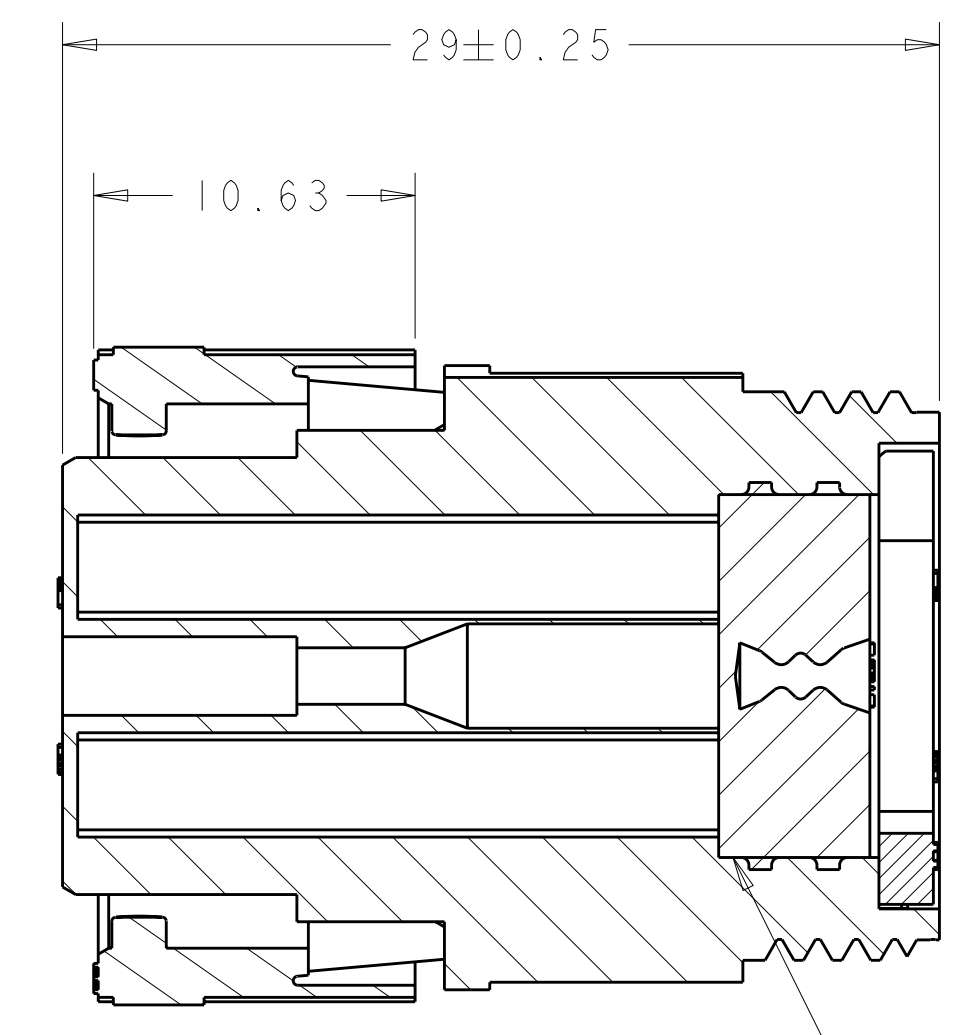
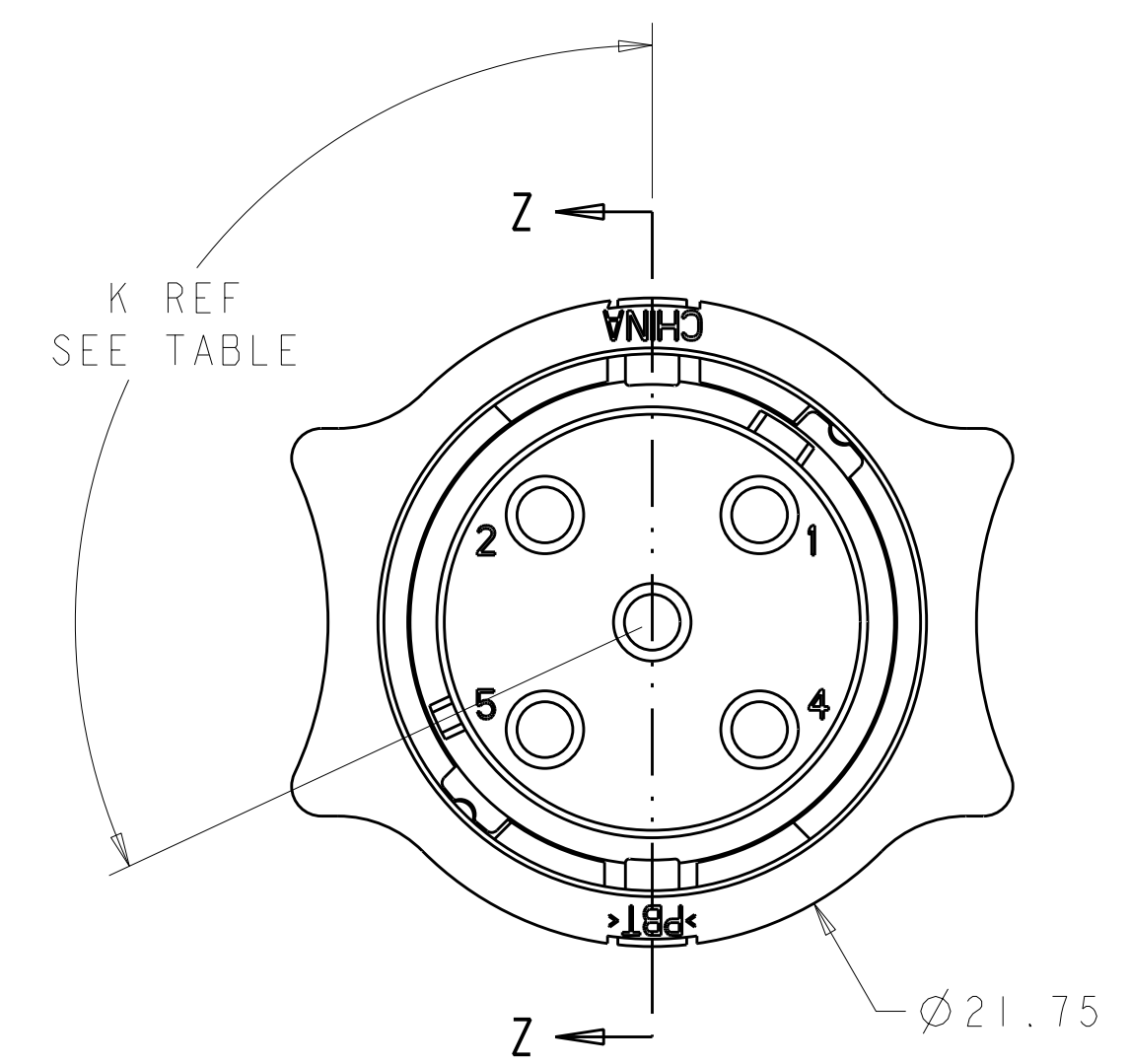
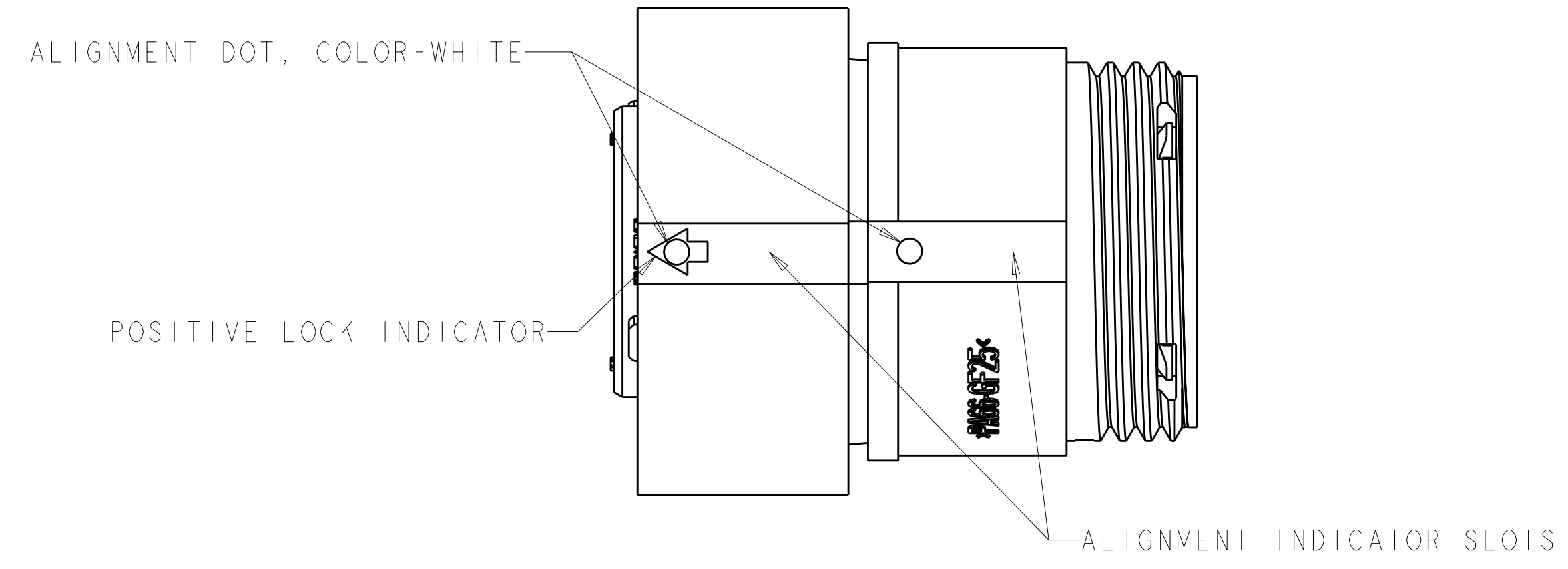
Tel: +86-755-8981 8866 Fax: +86-755-8427 6832

Email & Skype: info@chipsmall.com Web: www.chipsmall.com

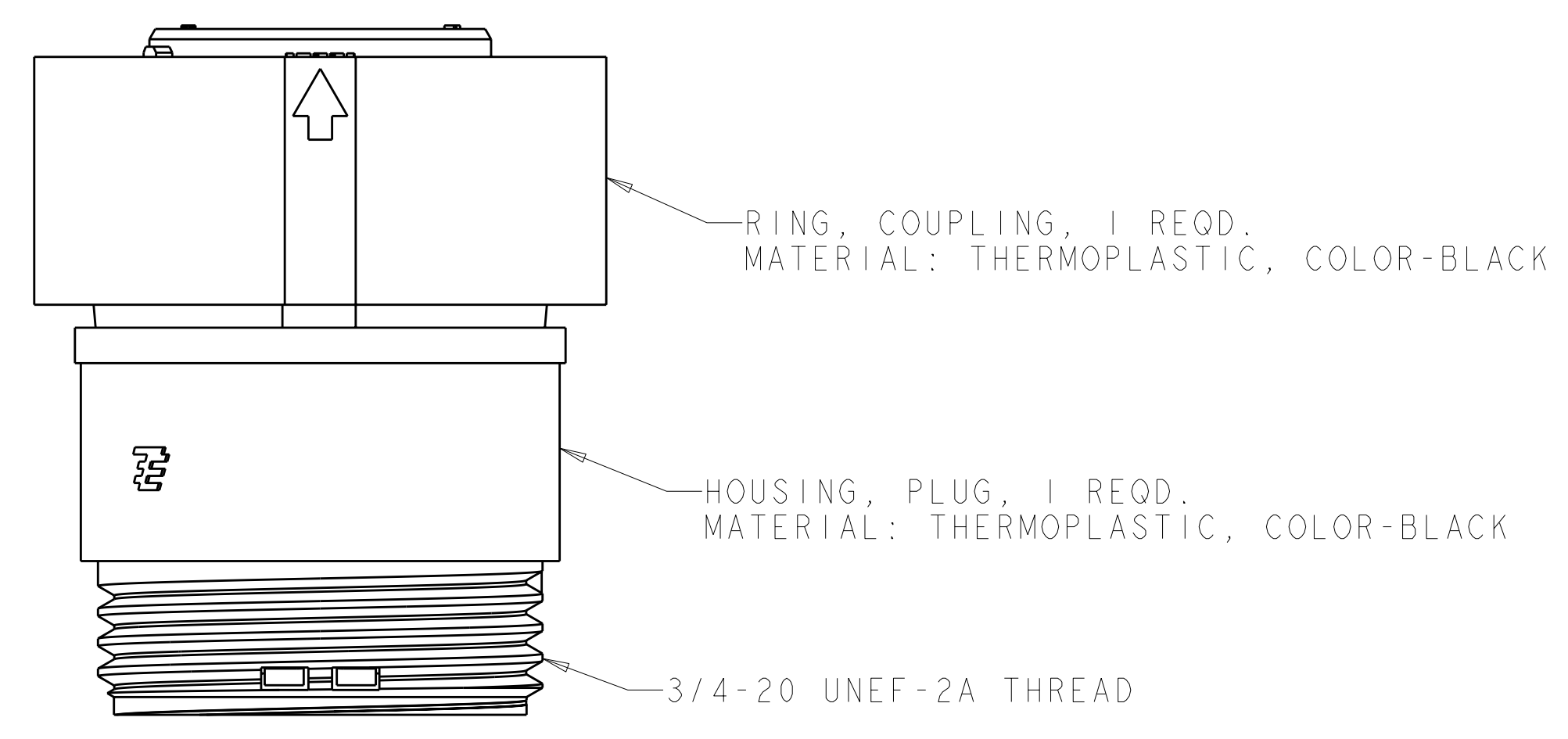
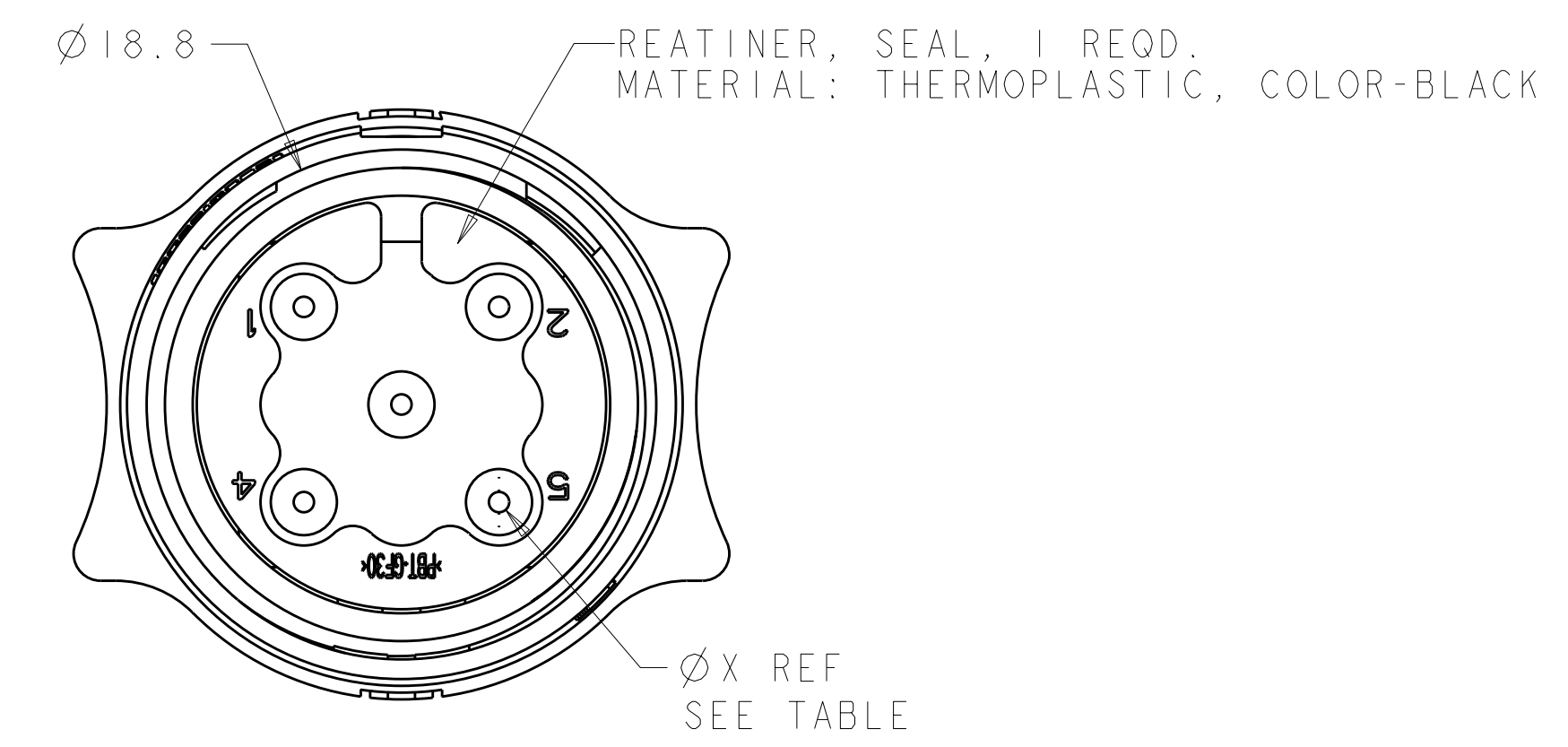
Address: A1208, Overseas Decoration Building, #122 Zhenhua RD., Futian, Shenzhen, China



LOC		DIST		REVISIONS			
FT	0	REV	DATE	BY	CHK	APPD	REV
		C2	18MAR2011	RK	HMR		



SECTION Z-Z



**QUALIFICATION TEST PENDING**

YELLOW	Ø0.75	135°	1445820-4
NATURAL	Ø1.5	115°	1445820-3
NATURAL	Ø1.5	135°	1445820-2
YELLOW	Ø0.75	115°	1445820-1
SEAL, WIRE ENTRY COLOR	Ø X REF	K REF	PART NUMBER

THIS DRAWING IS A CONTROLLED DOCUMENT.		DWN	16OCT2001	TE Connectivity
DIMENSIONS: mm		CHK	16OCT2001	
TOLERANCES UNLESS OTHERWISE SPECIFIED:		APVD	13JUN2003	NAME
0 PLC ±	1 PLC ±	PRODUCT SPEC		ASSEMBLY, PLUG, SIZE 11,
2 PLC ±0.13	3 PLC ±	APPLICATION SPEC		5 POSITION, SEALED, MINI CPC
4 PLC ±	ANGLES ±	WEIGHT		SIZE CAGE CODE DRAWING NO
FINISH		CUSTOMER DRAWING		RESTRICTED TO
MATERIAL SEE CALLOUT		SCALE 4:1		SHEET 1 OF 1
		REV C2		