



Chipsmall Limited consists of a professional team with an average of over 10 year of expertise in the distribution of electronic components. Based in Hongkong, we have already established firm and mutual-benefit business relationships with customers from,Europe,America and south Asia,supplying obsolete and hard-to-find components to meet their specific needs.

With the principle of “Quality Parts,Customers Priority,Honest Operation,and Considerate Service”,our business mainly focus on the distribution of electronic components. Line cards we deal with include Microchip,ALPS,ROHM,Xilinx,Pulse,ON,Everlight and Freescale. Main products comprise IC,Modules,Potentiometer,IC Socket,Relay,Connector.Our parts cover such applications as commercial,industrial, and automotives areas.

We are looking forward to setting up business relationship with you and hope to provide you with the best service and solution. Let us make a better world for our industry!



Contact us

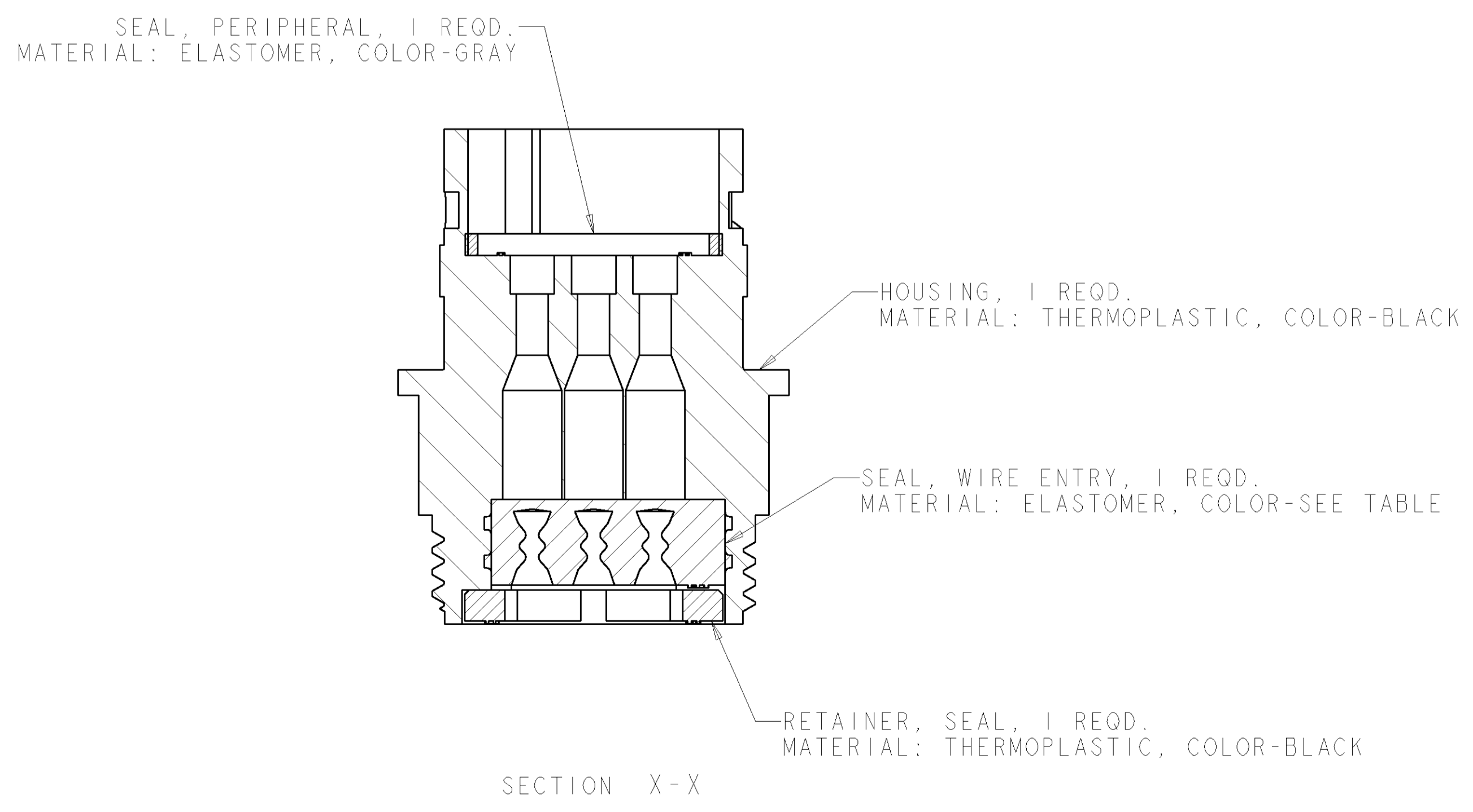
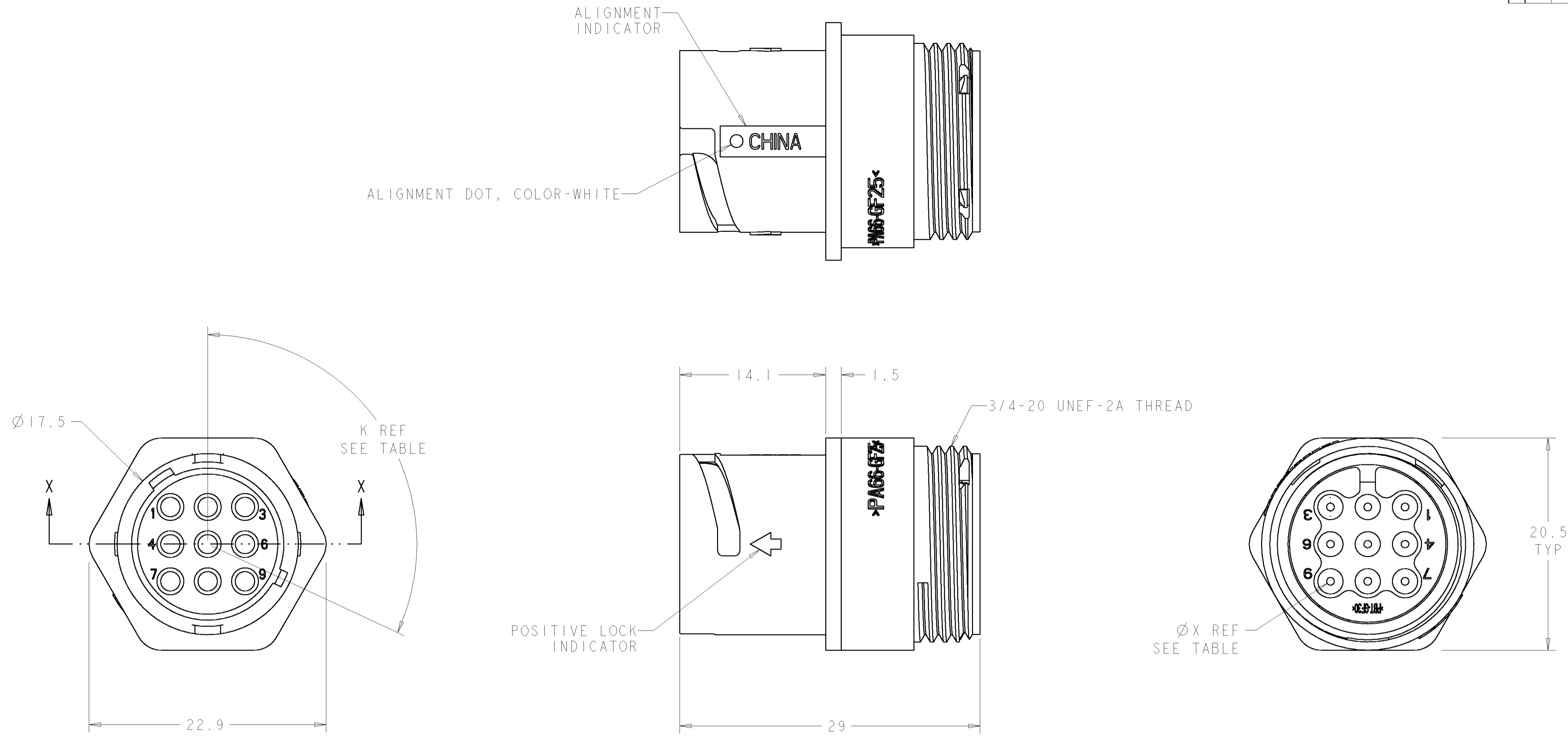
Tel: +86-755-8981 8866 Fax: +86-755-8427 6832

Email & Skype: info@chipsmall.com Web: www.chipsmall.com

Address: A1208, Overseas Decoration Building, #122 Zhenhua RD., Futian, Shenzhen, China



LOC		DIST		REVISIONS			
FT	0	P	LTR	DESCRIPTION	DATE	DWN	APVD
		A		REVISED EC 063B-0326-03	13JUN2003	SW	HW
		B		REVISED EC 063B-0390-04	25MAY2004	SW	HW



QUALIFICATION TEST PENDING

YELLOW	Ø0.75	135°	1445825-04
NATURAL	Ø1.5	115°	1445825-03
NATURAL	Ø1.5	135°	1445825-02
YELLOW	Ø0.75	115°	1445825-01
SEAL, WIRE ENTRY COLOR	ØX REF	K REF	PART NUMBER

<small>THIS DRAWING IS UNPUBLISHED. RELEASED FOR PUBLICATION BY TYCO ELECTRONICS CORPORATION. ALL RIGHTS RESERVED.</small>		DWN SHANE WIESE 22OCT2001 ENR G DOUTY 22OCT2001 APVD H WAKEEM 13JUN2003	Tyco Electronics Harrisburg, PA 17105-3608
DIMENSIONS: mm 	TOLERANCES UNLESS OTHERWISE SPECIFIED: 0 PLC ± 1 PLC ± 2 PLC ±0.13 3 PLC ± 4 PLC ± ANGLES ± FINISH -	NAME ASSEMBLY, SIZE 11, 9 POSITION, FREE HANGING, SEALED, MINI CPC PRODUCT SPEC - APPLICATION SPEC - WEIGHT - CUSTOMER DRAWING	SIZE CAGE CODE DRAWING NO RESTRICTED TO A 00779 C=1445825 - SCALE 4:1 SHEET 1 OF 1 REV B