



Chipsmall Limited consists of a professional team with an average of over 10 year of expertise in the distribution of electronic components. Based in Hongkong, we have already established firm and mutual-benefit business relationships with customers from,Europe,America and south Asia,supplying obsolete and hard-to-find components to meet their specific needs.

With the principle of “Quality Parts,Customers Priority,Honest Operation,and Considerate Service”,our business mainly focus on the distribution of electronic components. Line cards we deal with include Microchip,ALPS,ROHM,Xilinx,Pulse,ON,Everlight and Freescale. Main products comprise IC,Modules,Potentiometer,IC Socket,Relay,Connector.Our parts cover such applications as commercial,industrial, and automotives areas.

We are looking forward to setting up business relationship with you and hope to provide you with the best service and solution. Let us make a better world for our industry!



## Contact us

Tel: +86-755-8981 8866 Fax: +86-755-8427 6832

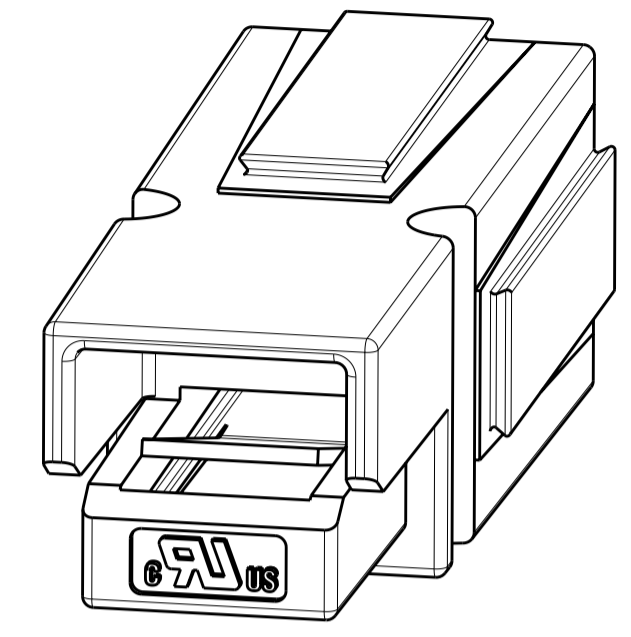
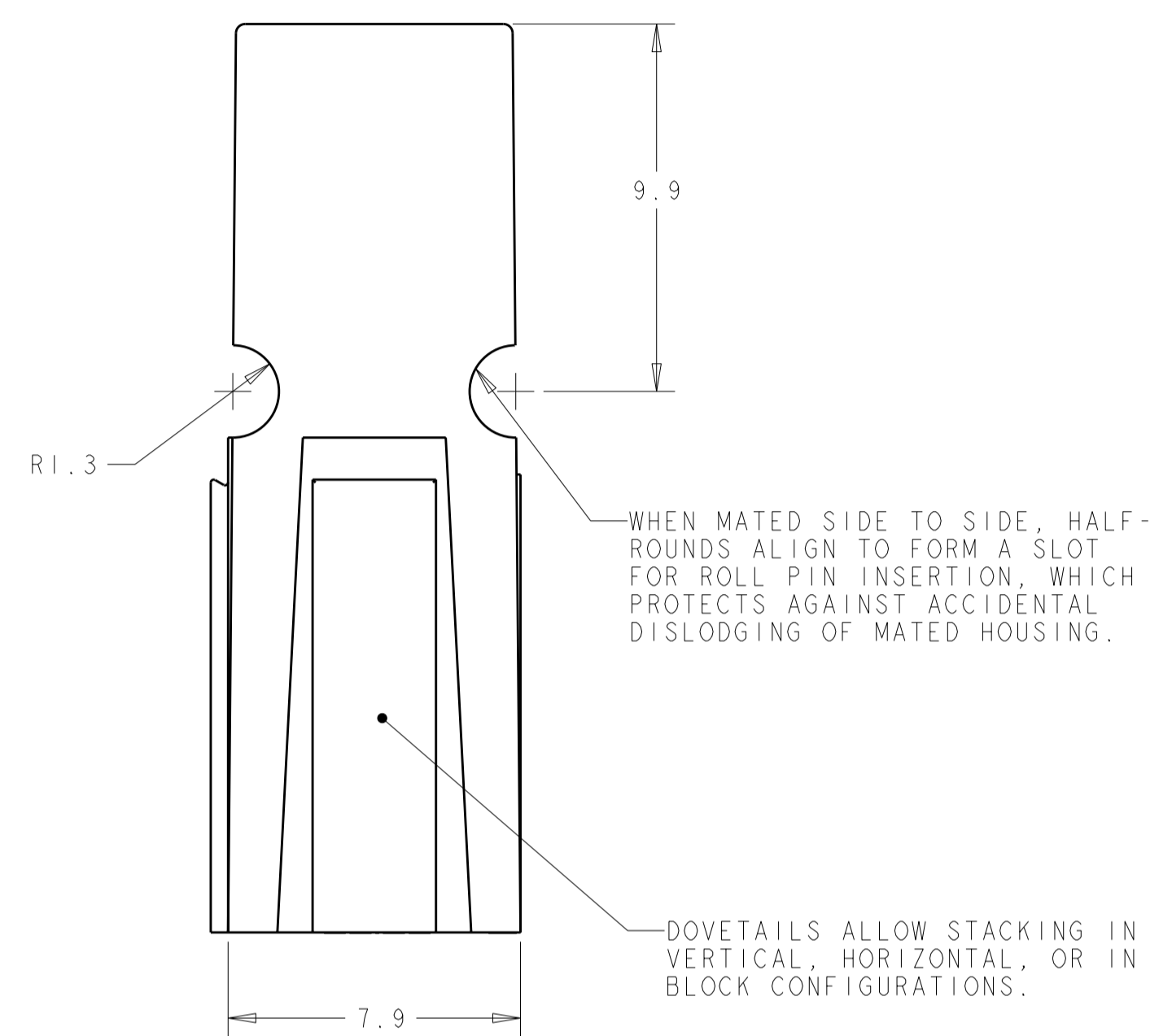
Email & Skype: info@chipsmall.com Web: www.chipsmall.com

Address: A1208, Overseas Decoration Building, #122 Zhenhua RD., Futian, Shenzhen, China

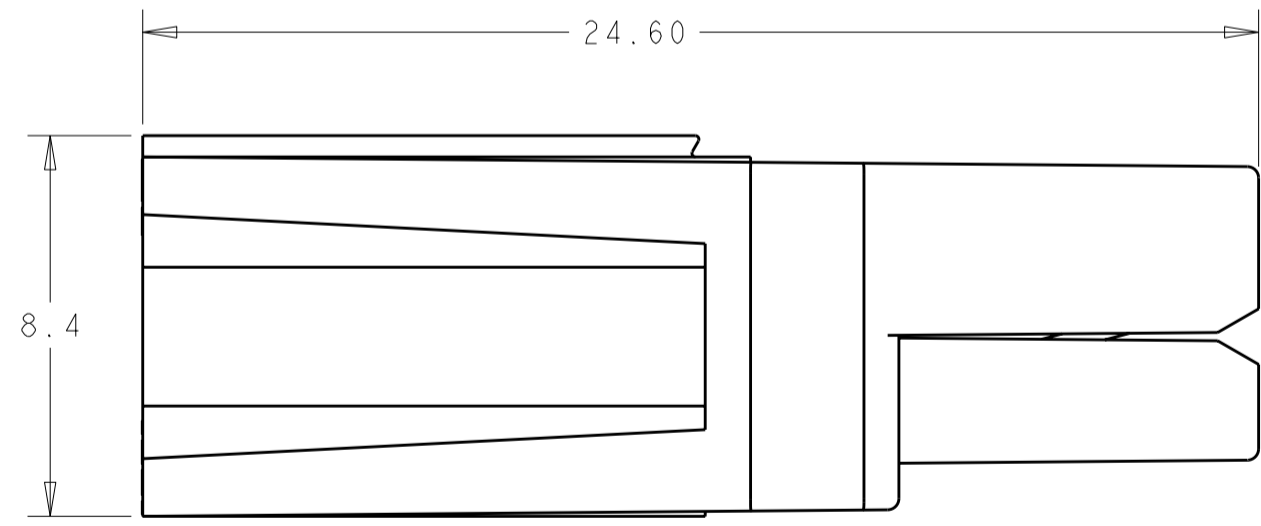
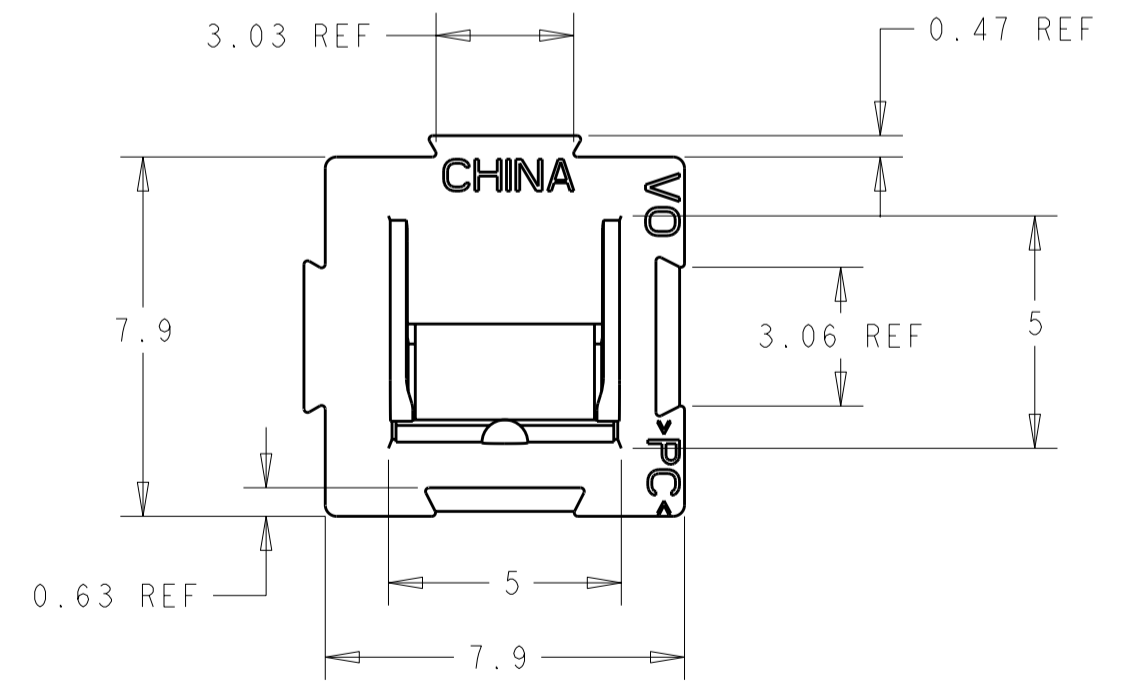


THIS DRAWING IS UNPUBLISHED. RELEASED FOR PUBLICATION 20  
 © COPYRIGHT 20 BY - ALL RIGHTS RESERVED.

| LOC |     | DIST                      |           | REVISIONS |      |  |  |
|-----|-----|---------------------------|-----------|-----------|------|--|--|
| P   | LTR | DESCRIPTION               | DATE      | DWN       | APVD |  |  |
|     | C   | REVISED PER ECO-11-019283 | 17OCT2011 | KH        | DY   |  |  |



1. SPRING/HOUSING ASSEMBLIES ARE UL AND CSA RECOGNIZED PER FILE TBD.
2. THESE HOUSING ASSEMBLIES ACCOMMODATE TE CONNECTIVITY CONTACTS FOR WIRE RANGES FROM #20 AWG TO #10 AWG.
3. HOUSING: POLYCARBONATE, UL94V0.  
SPRING: STAINLESS STEEL.



| OBSOLETE | COLOR  | PART NUMBER |
|----------|--------|-------------|
|          | BROWN  | 1445957-9   |
|          | GRAY   | 1445957-8   |
|          | ORANGE | 1445957-7   |
|          | YELLOW | 1445957-6   |
|          | RED    | 1445957-5   |
|          | GREEN  | 1445957-4   |
|          | WHITE  | 1445957-3   |
|          | BLACK  | 1445957-2   |
|          | BLUE   | 1445957-1   |
|          | COLOR  | PART NUMBER |

THIS PRODUCT HAS PASSED VERIFICATION AND AGENCY APPROVALS TESTING AND IS COMPONENT RECOGNIZED PER UL 1977 AND CSA 22.2. TE CONNECTIVITY PRODUCT QUALIFICATION TESTING IS NOT YET COMPLETE.

|  |  |                                   |   |  |
|--|--|-----------------------------------|---|--|
| THIS DRAWING IS A CONTROLLED DOCUMENT.   |  | DWN<br>B. HAYMAKER<br>06NOV01     | TE Connectivity                                       |  |
| DIMENSIONS:<br>mm  |  | CHK<br>K. KETELSIEGER<br>25JAN02  |   |  |
| TOLERANCES UNLESS OTHERWISE SPECIFIED:   |  | APVD<br>K. KETELSIEGER<br>25JAN02 | NAME<br>ASSEMBLY, 15/30/45A SINGLE POLE POWER PRODUCT |  |
| 0 PLC ±0.13<br>1 PLC ±0.13<br>2 PLC ±0.13<br>3 PLC ±<br>4 PLC ±<br>ANGLES ±1<br>FINISH |  | PRODUCT SPEC<br>-                 | SIZE<br>A200779                                       |  |
| MATERIAL<br>-  |  | APPLICATION SPEC<br>-             | DRAWING NO<br>C-1445957                               |  |
|  |  | WEIGHT<br>-                       | RESTRICTED TO<br>-                                    |  |
|  |  | CUSTOMER DRAWING                  | SCALE 6:1 SHEET 1 OF 1 REV C                          |  |