



Chipsmall Limited consists of a professional team with an average of over 10 year of expertise in the distribution of electronic components. Based in Hongkong, we have already established firm and mutual-benefit business relationships with customers from,Europe,America and south Asia,supplying obsolete and hard-to-find components to meet their specific needs.

With the principle of “Quality Parts,Customers Priority,Honest Operation,and Considerate Service”,our business mainly focus on the distribution of electronic components. Line cards we deal with include Microchip,ALPS,ROHM,Xilinx,Pulse,ON,Everlight and Freescale. Main products comprise IC,Modules,Potentiometer,IC Socket,Relay,Connector.Our parts cover such applications as commercial,industrial, and automotives areas.

We are looking forward to setting up business relationship with you and hope to provide you with the best service and solution. Let us make a better world for our industry!



## Contact us

Tel: +86-755-8981 8866 Fax: +86-755-8427 6832

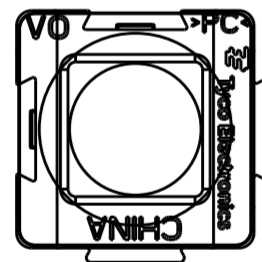
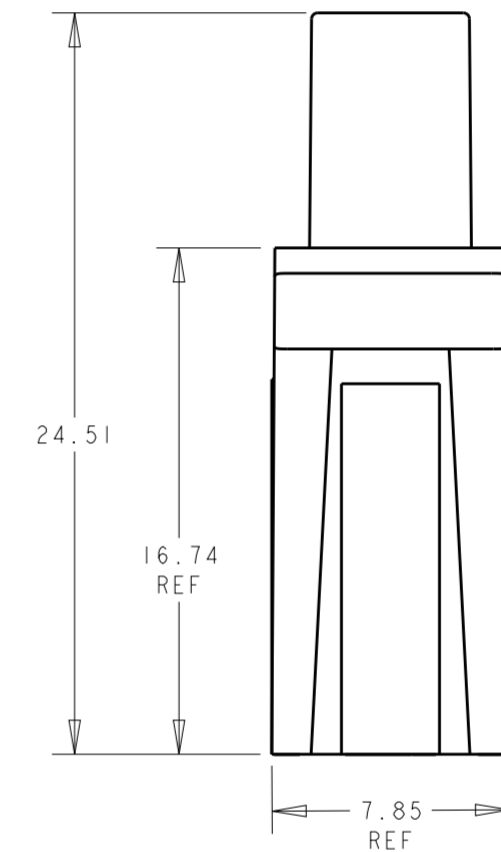
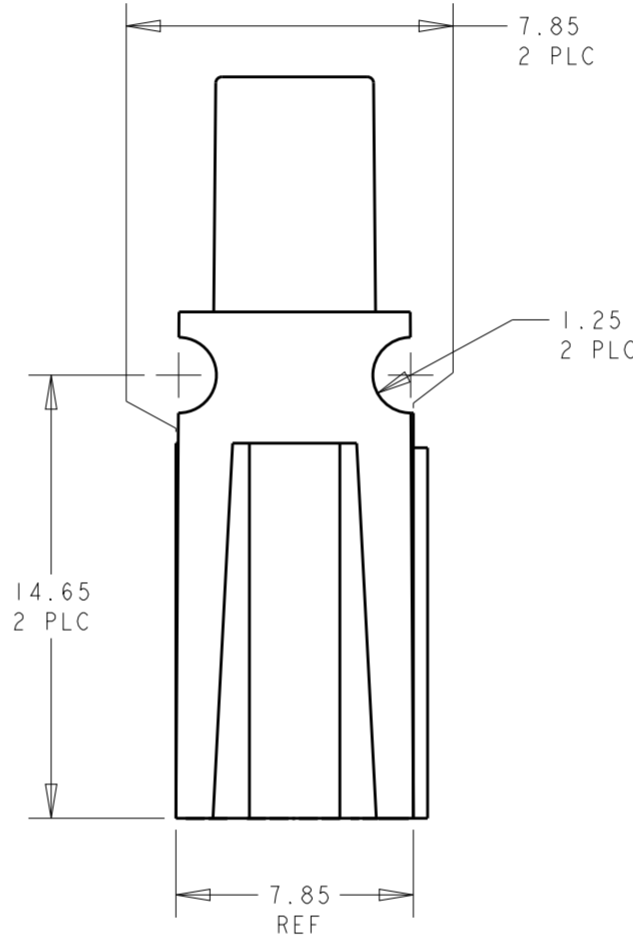
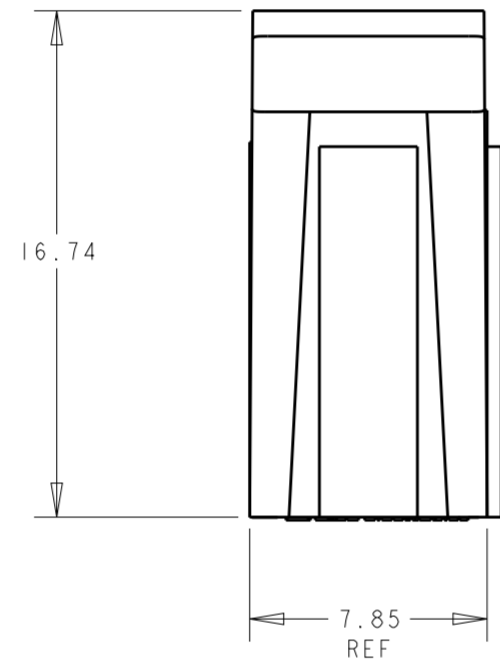
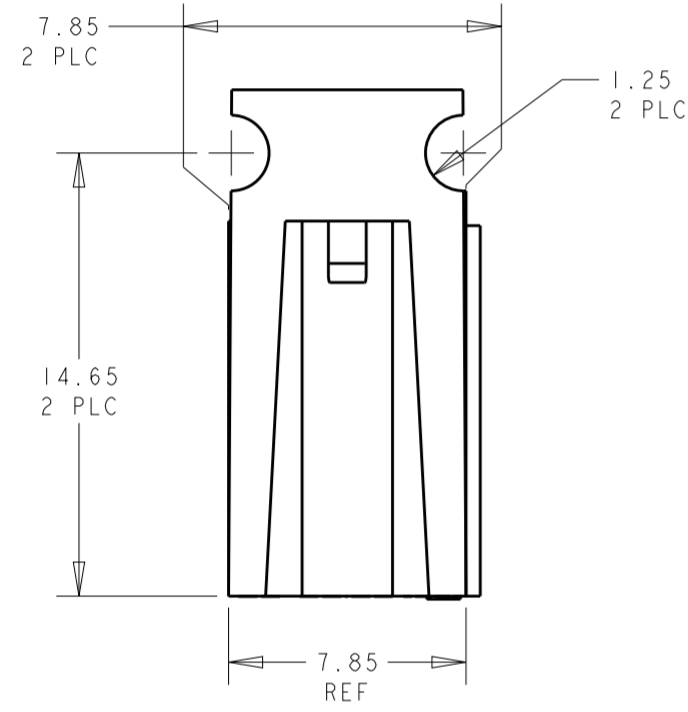
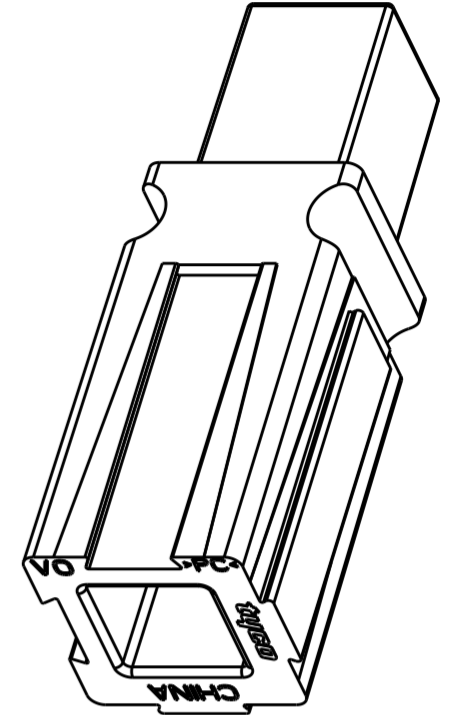
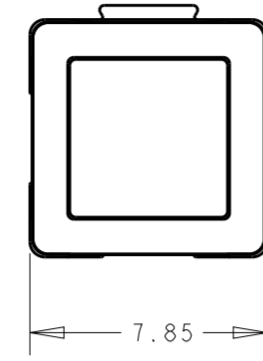
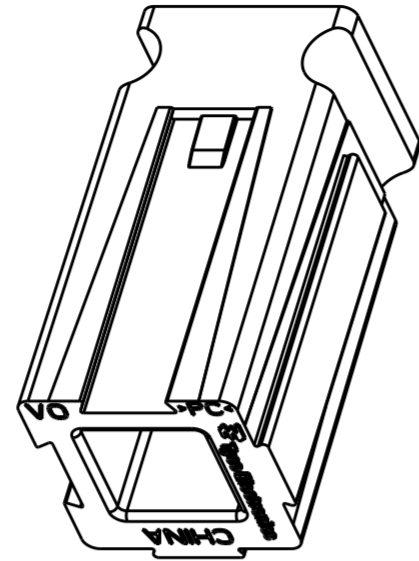
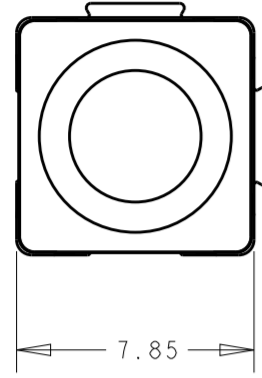
Email & Skype: info@chipsmall.com Web: www.chipsmall.com

Address: A1208, Overseas Decoration Building, #122 Zhenhua RD., Futian, Shenzhen, China

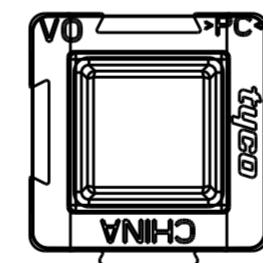


THIS DRAWING IS UNPUBLISHED. RELEASED FOR PUBLICATION 20  
 © COPYRIGHT 20 BY - ALL RIGHTS RESERVED.

REVISIONS				
P	LTR	DESCRIPTION	DATE	APVD
B2		REVISED PER ECR-12-009561	12AUG13	AY SZ



1445959-1  
SHORT SPACER



1445959-2  
LONG SPACER

- MATERIAL: POLYCARBONATE UL94V0.
- THESE SPACERS ARE INTENDED TO PROVIDE A KEYING FEATURE TO POWER PRODUCT ARRAYS. A SHORT SPACER ON ONE HALF OF THE MATED PAIR AND LONG SPACER ON THE OTHER HALF OF THE MATED PAIR CREATE THE POLARIZED KEY.

**OBSELETE**  
**OBSELETE**

2-1573058-2	RED	LONG	1445959-2
2-1573058-2	RED	SHORT	1445959-1
COLORANT	COLOR	SPACER STYLE	PART NUMBER

THIS DRAWING IS A CONTROLLED DOCUMENT.		DWN B. HAYMAKER 12NOV01	TE Connectivity	
		CHK K. KETELSIEGER 25JAN02		
		APVD K. KETELSIEGER 25JAN02	NAME SPACER, 15/30/45A SINGLE POLE POWER PRODUCT	
DIMENSIONS: mm		PRODUCT SPEC -	SIZE CAGE CODE DRAWING NO RESTRICTED TO	
TOLERANCES UNLESS OTHERWISE SPECIFIED: 0 PLC ±0.13 1 PLC ±0.13 2 PLC ±0.13 3 PLC ± 4 PLC ± ANGLES ± FINISH -		APPLICATION SPEC -	A200779 C-1445959	
MATERIAL -		WEIGHT -	SCALE 4:1 SHEET OF REV B2	
		Customer Drawing		