



Chipsmall Limited consists of a professional team with an average of over 10 year of expertise in the distribution of electronic components. Based in Hongkong, we have already established firm and mutual-benefit business relationships with customers from,Europe,America and south Asia,supplying obsolete and hard-to-find components to meet their specific needs.

With the principle of "Quality Parts,Customers Priority,Honest Operation,and Considerate Service",our business mainly focus on the distribution of electronic components. Line cards we deal with include Microchip,ALPS,ROHM,Xilinx,Pulse,ON,Everlight and Freescale. Main products comprise IC,Modules,Potentiometer,IC Socket,Relay,Connector.Our parts cover such applications as commercial,industrial, and automotives areas.

We are looking forward to setting up business relationship with you and hope to provide you with the best service and solution. Let us make a better world for our industry!



Contact us

Tel: +86-755-8981 8866 Fax: +86-755-8427 6832

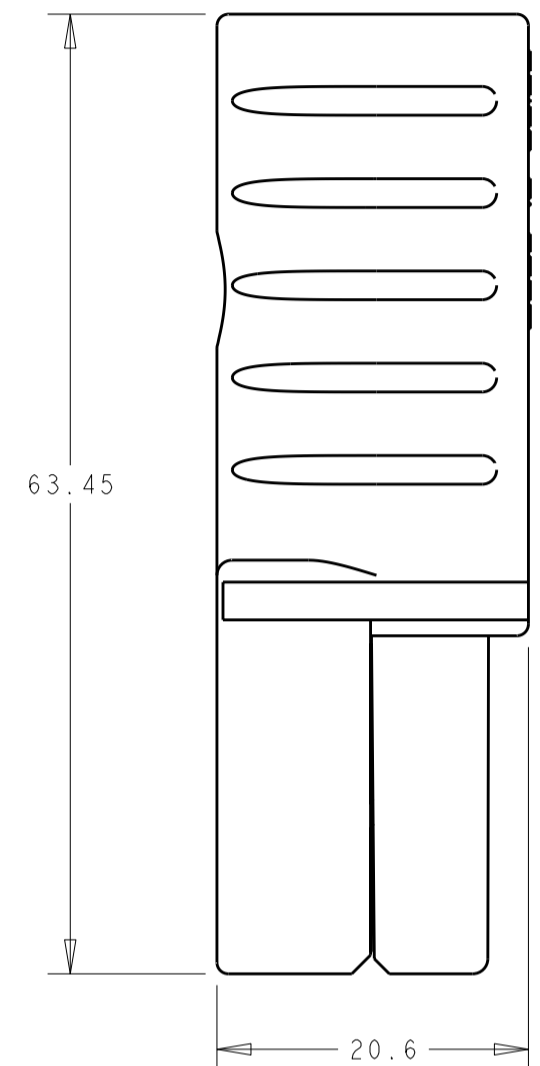
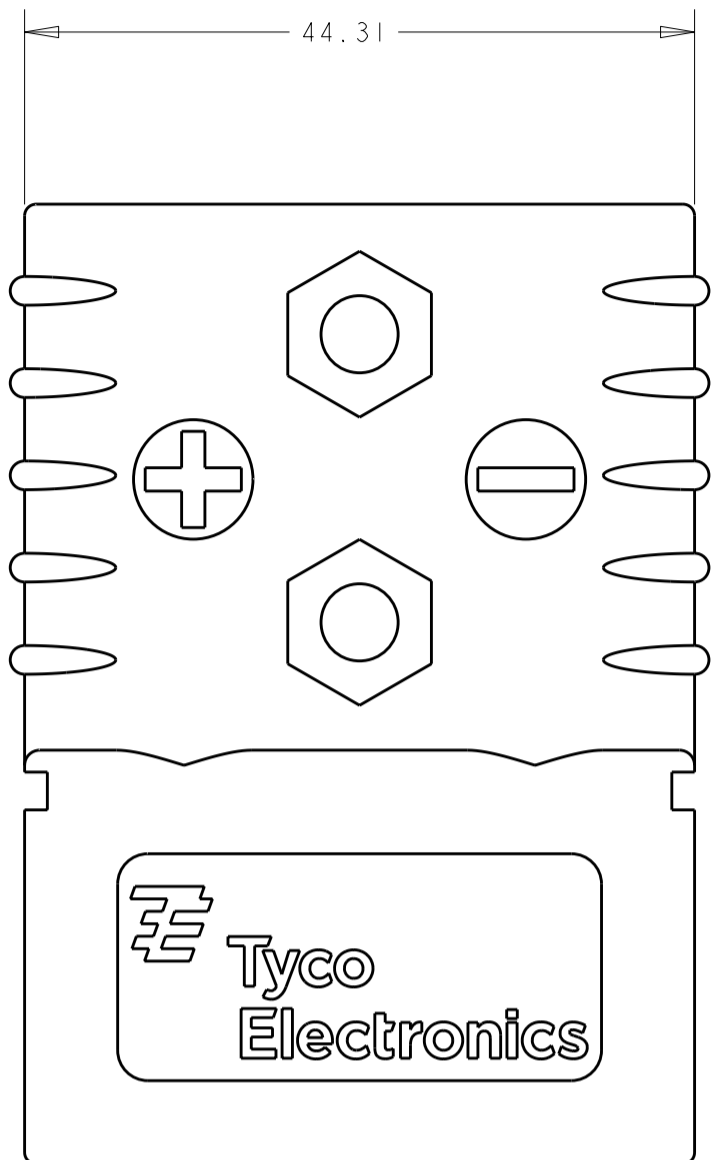
Email & Skype: info@chipsmall.com Web: www.chipsmall.com

Address: A1208, Overseas Decoration Building, #122 Zhenhua RD., Futian, Shenzhen, China

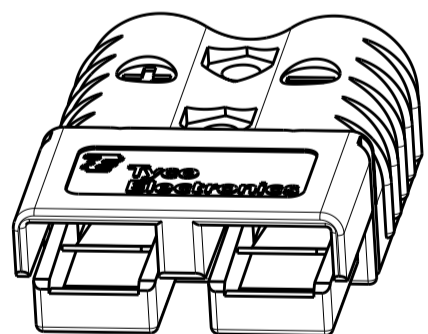


THIS DRAWING IS UNPUBLISHED. RELEASED FOR PUBLICATION 20
 © COPYRIGHT 20 BY TYCO ELECTRONICS CORPORATION. ALL RIGHTS RESERVED.

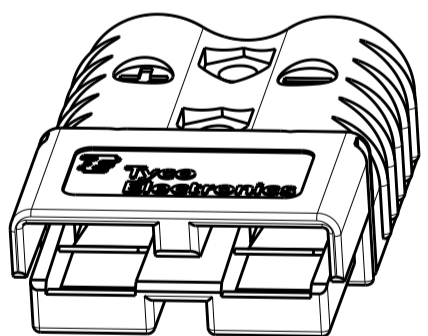
LOC	DIST	REVISIONS			
P	LTR	DESCRIPTION	DATE	DWN	APVD
CM	00	CI	REVISED PER ECR-10-010379	24MAY2010	HMR JR



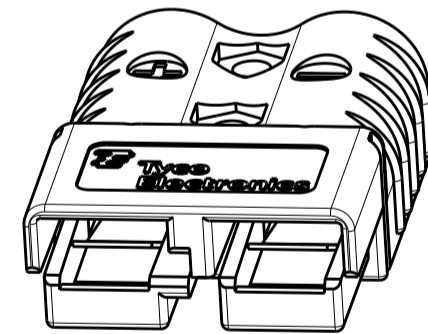
1. THIS PRODUCT HAS PASSED VERIFICATION AND AGENCY APPROVALS TESTING AND IS COMPONENT RECOGNIZED PER UL 1977 AND CSA 22.2. TYCO ELECTRONICS PRODUCT QUALIFICATION TESTING IS NOT YET COMPLETED.



1445994-1
SCALE 1:1



1445994-2
SCALE 1:1



1445994-3
SCALE 1:1

RED	1445994-3
BLUE	1445994-2
GRAY	1445994-1
COLOR	PART NUMBER

METRIC

THIS DRAWING IS A CONTROLLED DOCUMENT FOR TYCO ELECTRONICS CORPORATION. IT IS SUBJECT TO CHANGE AND THE CONTROLLING ENGINEERING ORGANIZATION SHOULD BE CONTACTED FOR THE LATEST REVISION.		DWN	BH	28NOV01	Tyco Electronics Harrisburg, PA 17105-3608	
DIMENSIONS:		CHK	KAK	28NOV01	NAME SUB-ASSEMBLY, AMP POWER SERIES 120	
mm	TOLERANCES UNLESS OTHERWISE SPECIFIED:	APVD	KAK	28NOV01	-	
	0 PLC ±0.13	PRODUCT SPEC			-	
	1 PLC ±0.13	APPLICATION SPEC			-	
	2 PLC ±0.13				-	
	3 PLC ±0.13	WEIGHT			-	
	4 PLC ±				-	
MATERIAL	FINISH	CUSTOMER DRAWING			SIZE	A2
					CAGE CODE	00779
					DRAWING NO	1445994
					RESTRICTED TO	-
					SCALE	1:1
					SHEET	1
					OF	1
					REV	CI