



Chipsmall Limited consists of a professional team with an average of over 10 year of expertise in the distribution of electronic components. Based in Hongkong, we have already established firm and mutual-benefit business relationships with customers from,Europe,America and south Asia,supplying obsolete and hard-to-find components to meet their specific needs.

With the principle of “Quality Parts,Customers Priority,Honest Operation,and Considerate Service”,our business mainly focus on the distribution of electronic components. Line cards we deal with include Microchip,ALPS,ROHM,Xilinx,Pulse,ON,Everlight and Freescale. Main products comprise IC,Modules,Potentiometer,IC Socket,Relay,Connector.Our parts cover such applications as commercial,industrial, and automotives areas.

We are looking forward to setting up business relationship with you and hope to provide you with the best service and solution. Let us make a better world for our industry!



Contact us

Tel: +86-755-8981 8866 Fax: +86-755-8427 6832

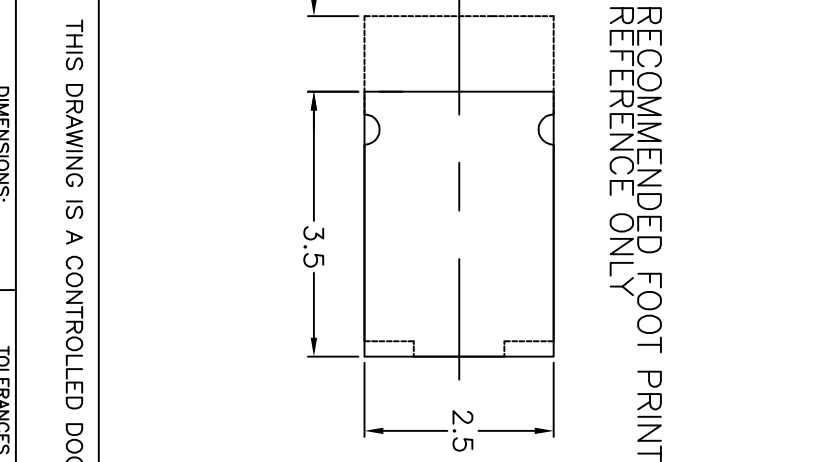
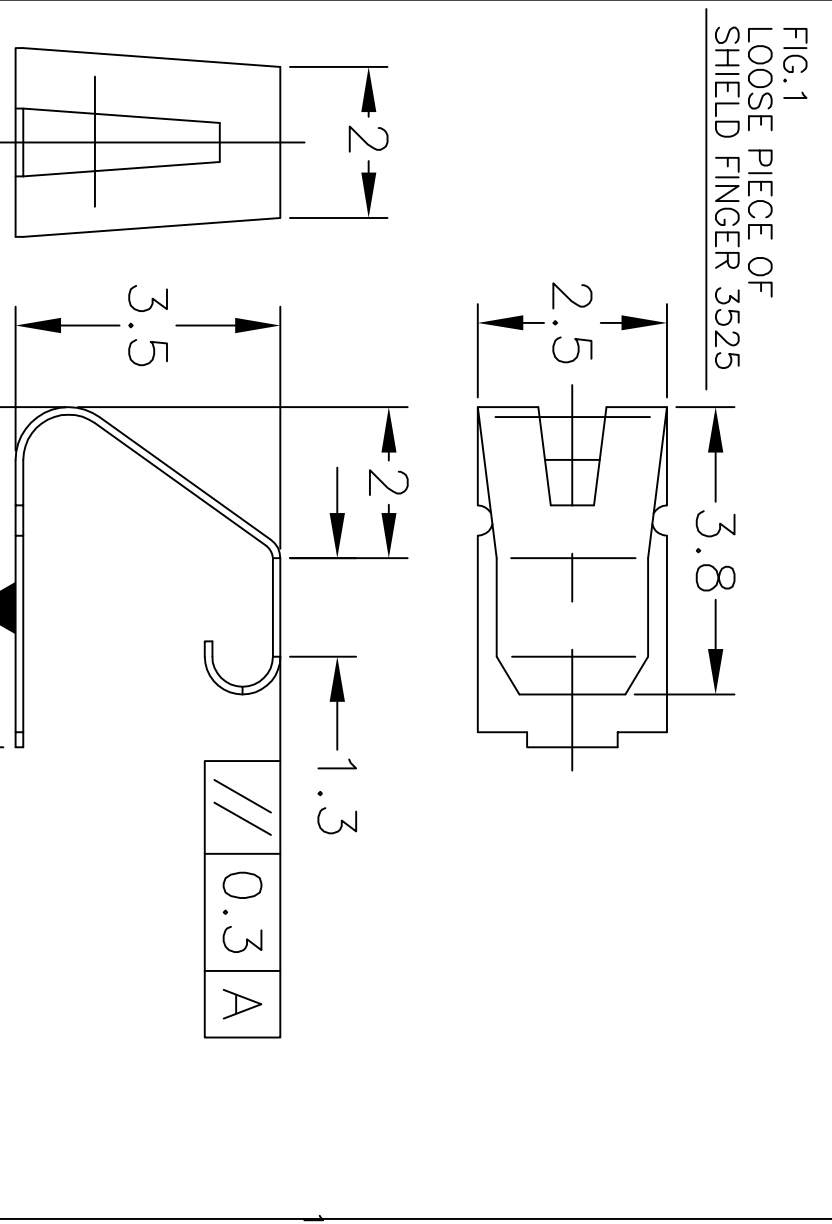
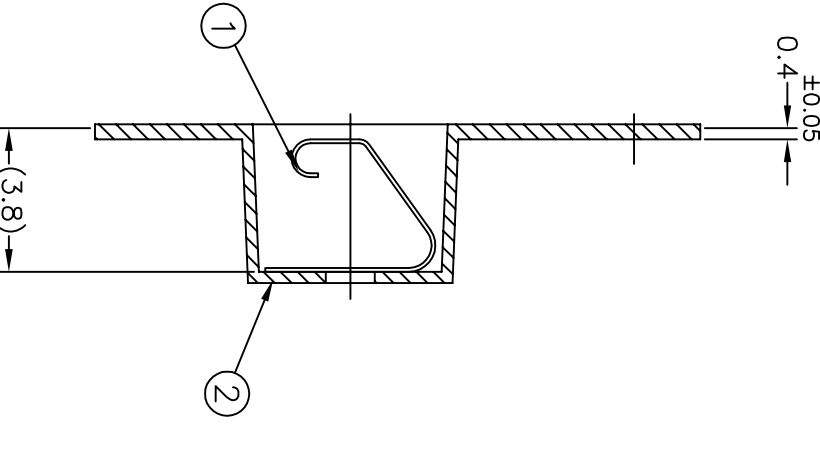
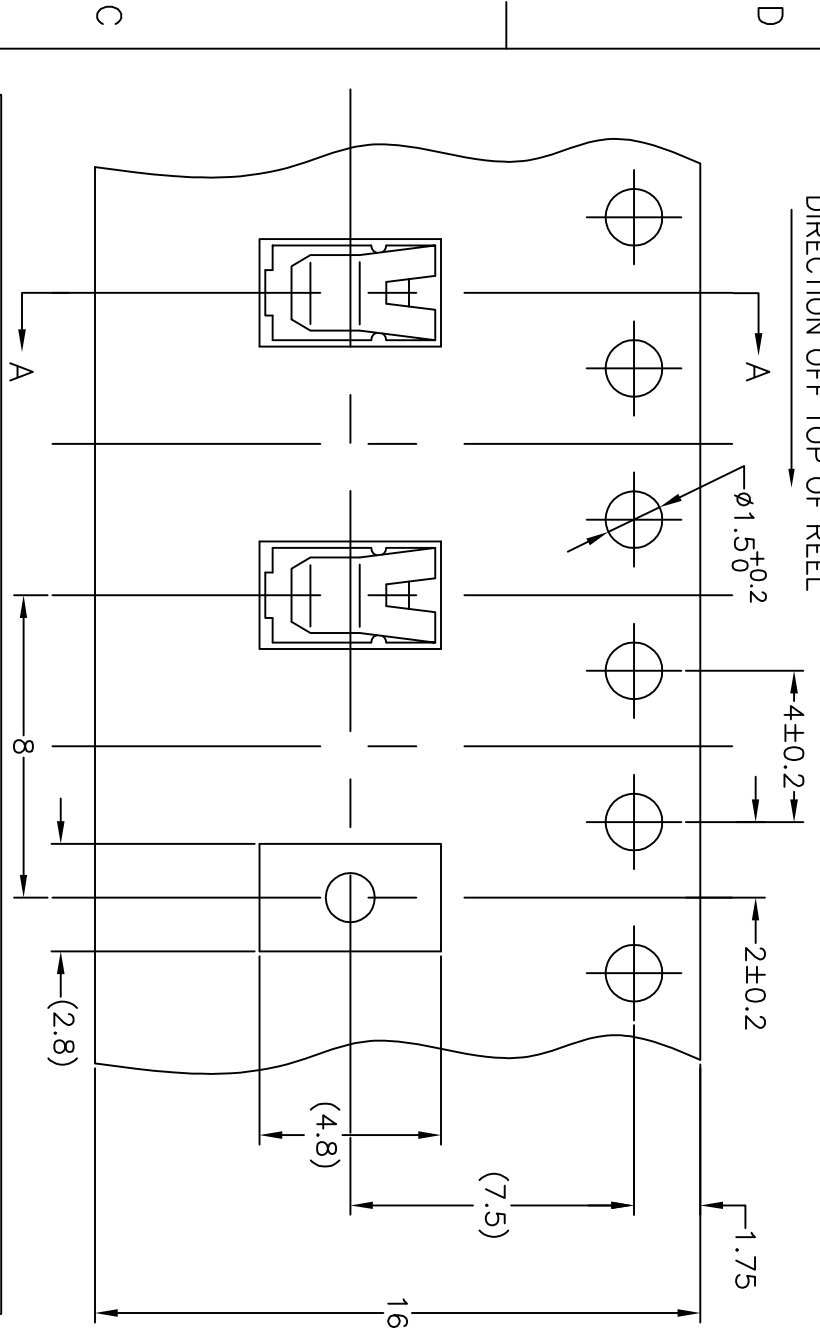
Email & Skype: info@chipsmall.com Web: www.chipsmall.com

Address: A1208, Overseas Decoration Building, #122 Zhenhua RD., Futian, Shenzhen, China



LOC	DIST	REV	DATE	DWN	APVD
J	-	A	21NOV12	T.Z	S.Y

REVISIONS
 変更
 DESCRIPTION
 PACKING MATERIAL
 EMBOSS CARRIER TAPE : ANTISTATIC TAPE
 COVER FILM : ANTISTATIC FILM
 REEL : PAPER
 QUANTITY OF REEL : 2000 EA/REEL
 - 1 : AS SHOWN



THIS DRAWING IS A CONTROLLED DOCUMENT.		DIMENSIONS: 単位: 概 MM		TOLERANCES UNLESS OTHERWISE SPECIFIED: 一般公差	
MATERIAL 材料		FINISH 仕上		0 PLC ±0.3 1 PLC ±0.3 2 PLC ±0.3 3 PLC ±- 4 PLC ±- ±3	
APVD STEVEN YAO 製品規格		21NOV2012		NAME 名称 SHIELD FINGER 3525 WITH CONTINUOUS TAPES	
CHK XU XIANG		21NOV2012		DWN TONY ZHANG	
APPLICATION SPEC 取付適用規格		WEIGHT		SCALE 尺度 1:1	
CUSTOMER DRAWING		SIZE A3		CAGE CODE 00779	
DRAWING NO 1447009-7		SHEET 1 OF 1		REV A	
TYCO ELECTRONICS AMP K.K. Kawasaki, Japan		REEL		FINISH	
CARRIER TAPE		SHIELD FINGER 3525		ITEM	
MATERIAL		Q'TY		FINISH	
1		1		③	
2		1		②	
3		1		①	