



Chipsmall Limited consists of a professional team with an average of over 10 year of expertise in the distribution of electronic components. Based in Hongkong, we have already established firm and mutual-benefit business relationships with customers from,Europe,America and south Asia,supplying obsolete and hard-to-find components to meet their specific needs.

With the principle of “Quality Parts,Customers Priority,Honest Operation,and Considerate Service”,our business mainly focus on the distribution of electronic components. Line cards we deal with include Microchip,ALPS,ROHM,Xilinx,Pulse,ON,Everlight and Freescale. Main products comprise IC,Modules,Potentiometer,IC Socket,Relay,Connector.Our parts cover such applications as commercial,industrial, and automotives areas.

We are looking forward to setting up business relationship with you and hope to provide you with the best service and solution. Let us make a better world for our industry!



Contact us

Tel: +86-755-8981 8866 Fax: +86-755-8427 6832

Email & Skype: info@chipsmall.com Web: www.chipsmall.com

Address: A1208, Overseas Decoration Building, #122 Zhenhua RD., Futian, Shenzhen, China



LOC	DIST	REVISIONS		
J	-	P	LTR	DESCRIPTION
		O1		REVISED PER ECO-10-000445
			DATE	DWN
			11JAN10	KK
			APVD	AEG

注記
NOTE

1. 一般公差: ±0.3
1. GENERAL TOLERANCE: ±0.3
2. 梱包数量: 5,000ケ/リール
2. PACKING STYLE: 5,000pcs/reel

③ 材質:

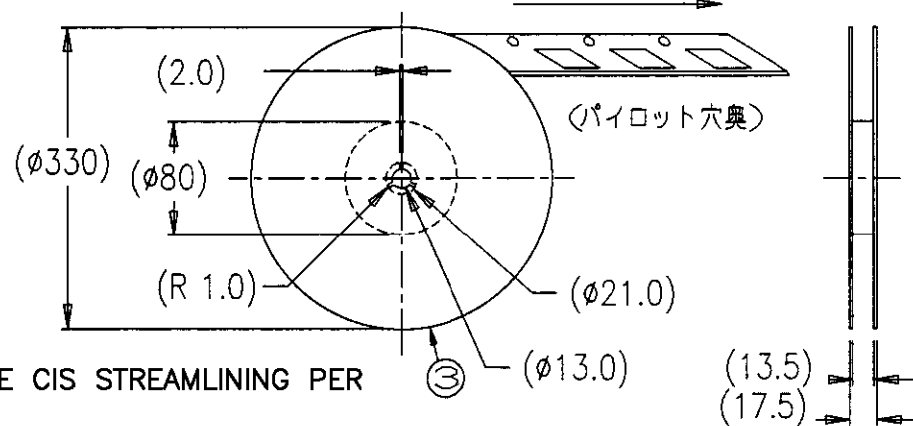
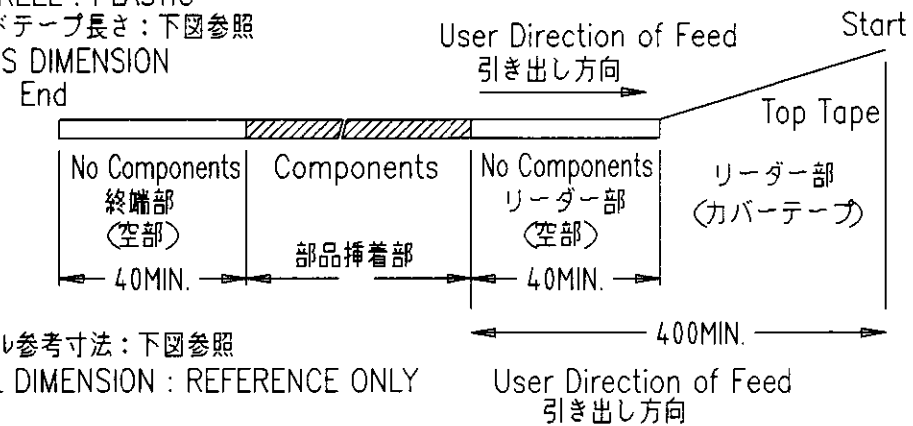
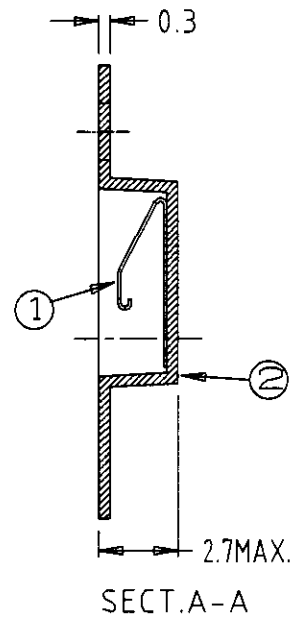
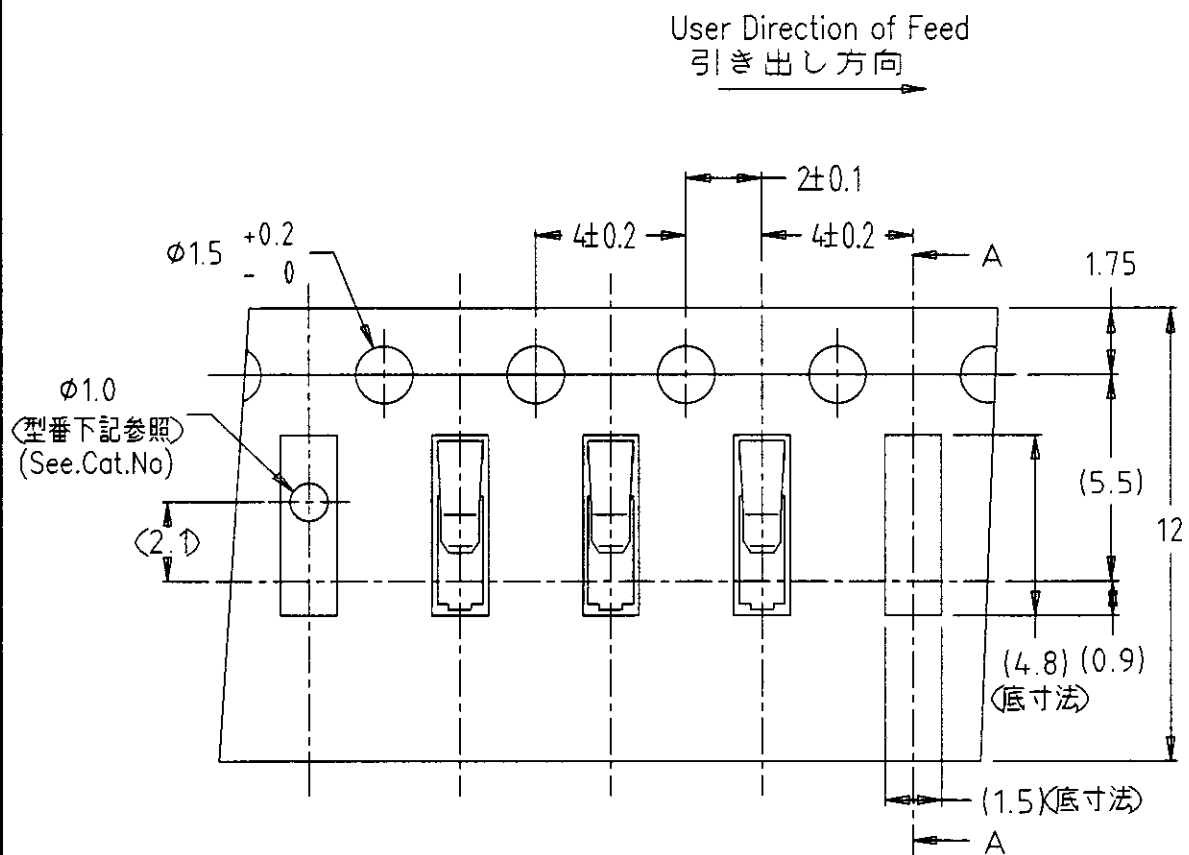
3. MATERIAL:
 シールドフィンガー: 銅合金(ニッケル下地金めっき 0.05μmMIN.)
 SHIELD FINGER: COPPER ALLOY(NICKEL-PLATING)
 (GOLD-PLATING ON THE CONTACT AND FOOT AREA)
 キャリアテープ: アクリル系フィルム
 CARRIER TAPE: ACRYLIC FILM
 カバーテープ: PETフィルム
 TOP TAPE: PET FILM
 リール: プラリール
 REEL: PLASTIC

4. リードテープ長さ: 下図参照

4. TAPES DIMENSION

5. リール参考寸法: 下図参照

5. REEL DIMENSION: REFERENCE ONLY

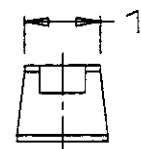
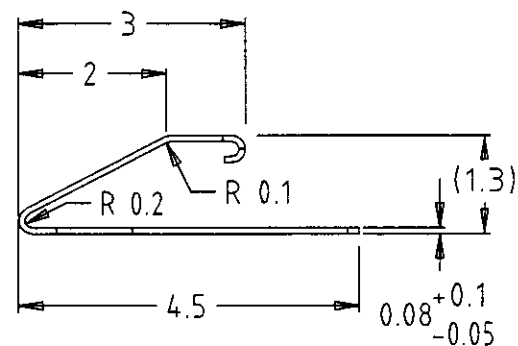
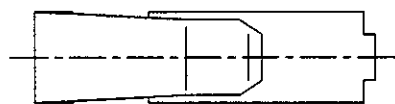


⑥ OBSOLETE PARTS: OBSOLETE CIS STREAMLINING PER D.RENAUD/D.SINISI

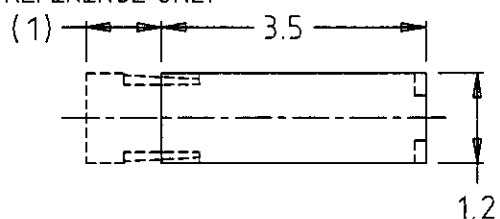
OBSOLETE	1447360-8	3100049-A	②	エンボスキャリアテープ	CARRIER TAPE	(旧型番: 3150033-A)	5000ポケット (部品装着部穴有り)
	1447009-6	3100049 (432838-0050)	③	リール	REEL	(旧型番: 3150008)	1
⑥			②	エンボスキャリアテープ	CARRIER TAPE	(旧型番: 3150033)	5000ポケット (部品装着部)
			①	シールドフィンガー 1312	SHIELD FINGER 1312	(旧型番: 3400146)	5000ケ
	テーピング梱包型番 PACKAGING Cat.No.	旧テーピング梱包型番 (顧客型番) PACKAGING Cat.No.	No.	名称 DESIGNATION		型番 Cat.No.	数量 QUANTITY

シールドフィンガー1312
SHIELD FINGER 1312

旧型番: 3400146 S=10/1
OLD CAT.NO.3400146



参考パッド寸法(公差±0.5)
RECOMMENDED FOOT PRINT
REFERENCE ONLY



THIS DRAWING IS A CONTROLLED DOCUMENT.

AMP Tyco Electronics AMP K.K. Kawasaki, Japan

シールドフィンガー1312用 テーピング梱包
PACKAGING OF SHIELD FINGER 1312
ON CONTINUOUS TAPES

SIZE: A3 CAGE CODE: 00779 DRAWING NO: 1447009-6 RESTRICTED TO: -

CUSTOMER DRAWING SCALE: 5:1 SHEET: 1 OF 1 REV: 01